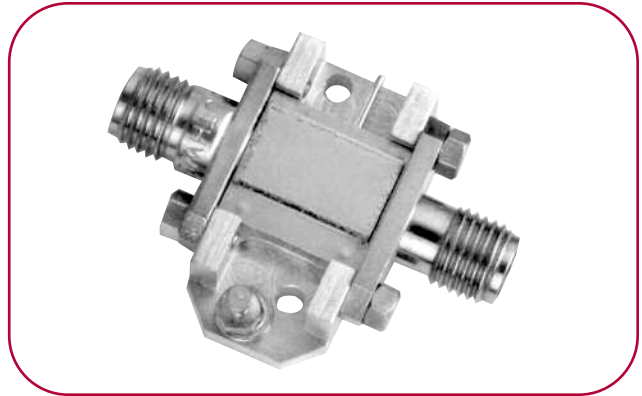


ACTIVE FREQUENCY DOUBLERS (CONT.)

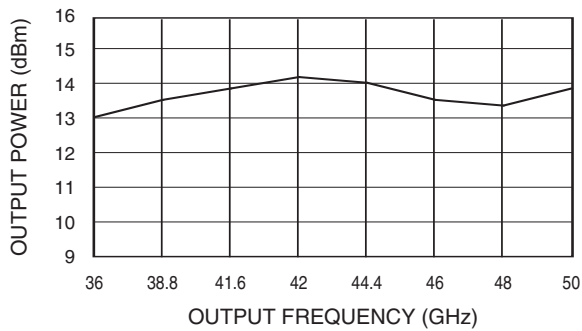
MODEL: MAX2M360500

ELECTRICAL SPECIFICATIONS

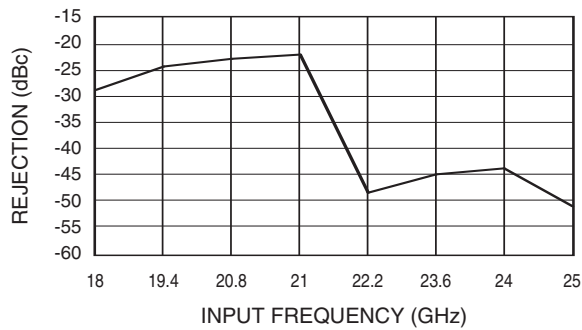
| | |
|------------------------|---------------------|
| Input frequency range | 18 – 25 GHz |
| Output frequency range | 36 – 50 GHz |
| Input power range | 10 – 15 dBm nominal |
| Harmonic rejection | |
| Fundamental | 20 dBc typical |
| Odd harmonic | 20 dBc typical |



OUTPUT POWER VS. FREQUENCY

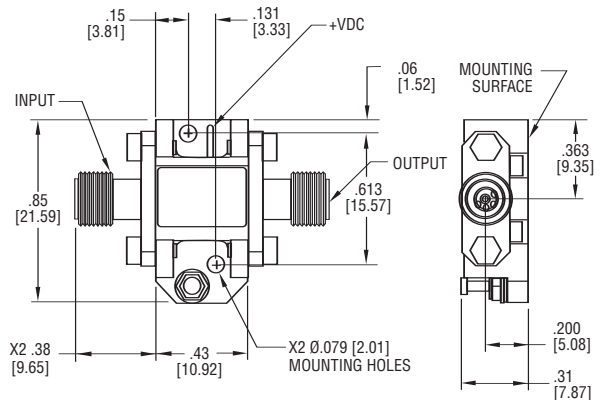


FUNDAMENTAL REJECTION VS. FREQUENCY ($P_{IN} = +10$ dBm)



OUTLINE DRAWING

MAX2K



NOTES:

- Optional input connectors SMA, K or output connectors V type male/female.
- Optional waveguide output available, please contact MITEQ.
- All dimensions shown in brackets [] are in millimeters.