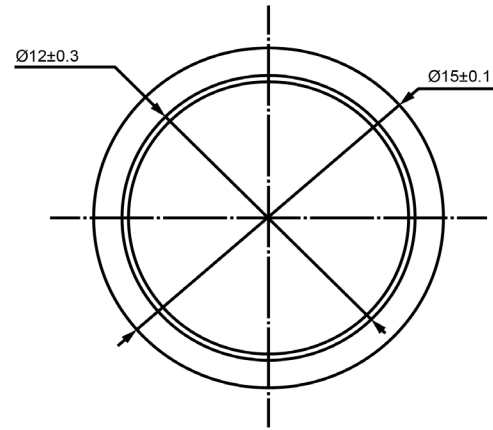
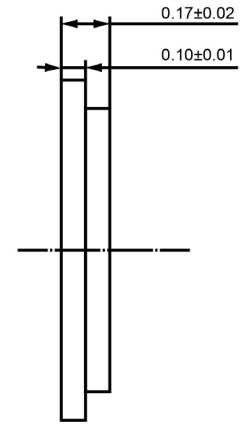



TOP VIEW



SIDE VIEW



Specifications			Notes	Revision History					
Description	Value	Unit		Version	Description	Date	Approved		
Resonant Frequency	4,300	(Hz)	1) All dimensions are in mm unless otherwise noted 2) All parts meet RoHS	1	Released from Engineering	10/21/2013	J.S		
Resonant Impedance (Max)	300	(Ohm)							
Max Input Voltage	30	(V)							
Capacitance	25,000	(pF)							
Plate Material	Alloy								
Operating Temperature	-20 ~ +60	°C							
Storage Temperature	-20 ~ +70	°C							
			<div style="text-align: center;">  </div>			<b>Drawn by</b> <b>Date</b> <b>Checked by</b> <b>Date</b> <b>Approved by</b> <b>Date</b>			
			DB UNLIMITED			Piezo Bender		<b>P15043-1</b>	
						A.B.		10/21/2013	
						C.E.		10/21/2013	
						J.S		10/21/2013	