

# Customer Information Sheet

DRAWING No.: S1751-XXR

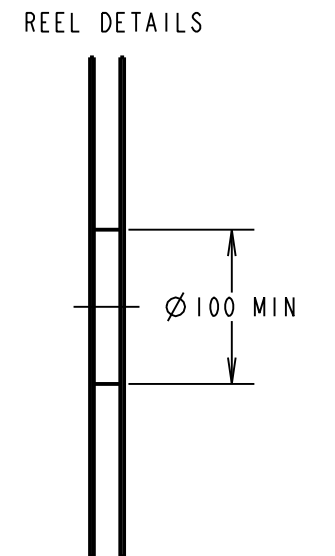
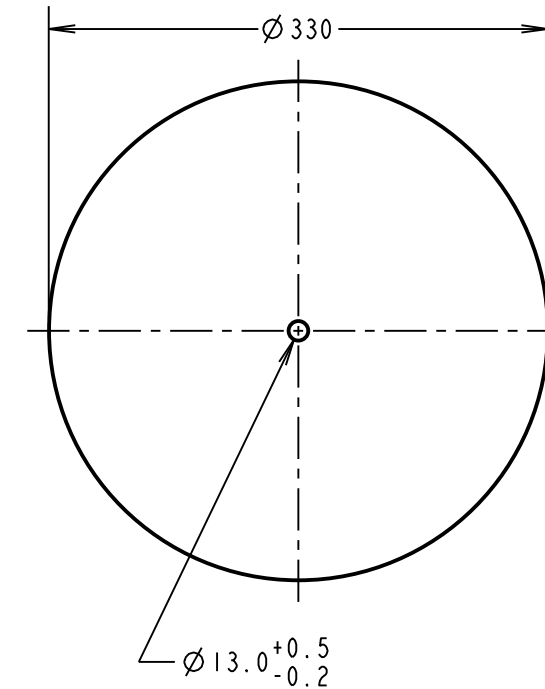
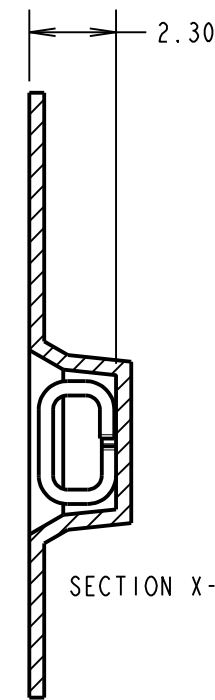
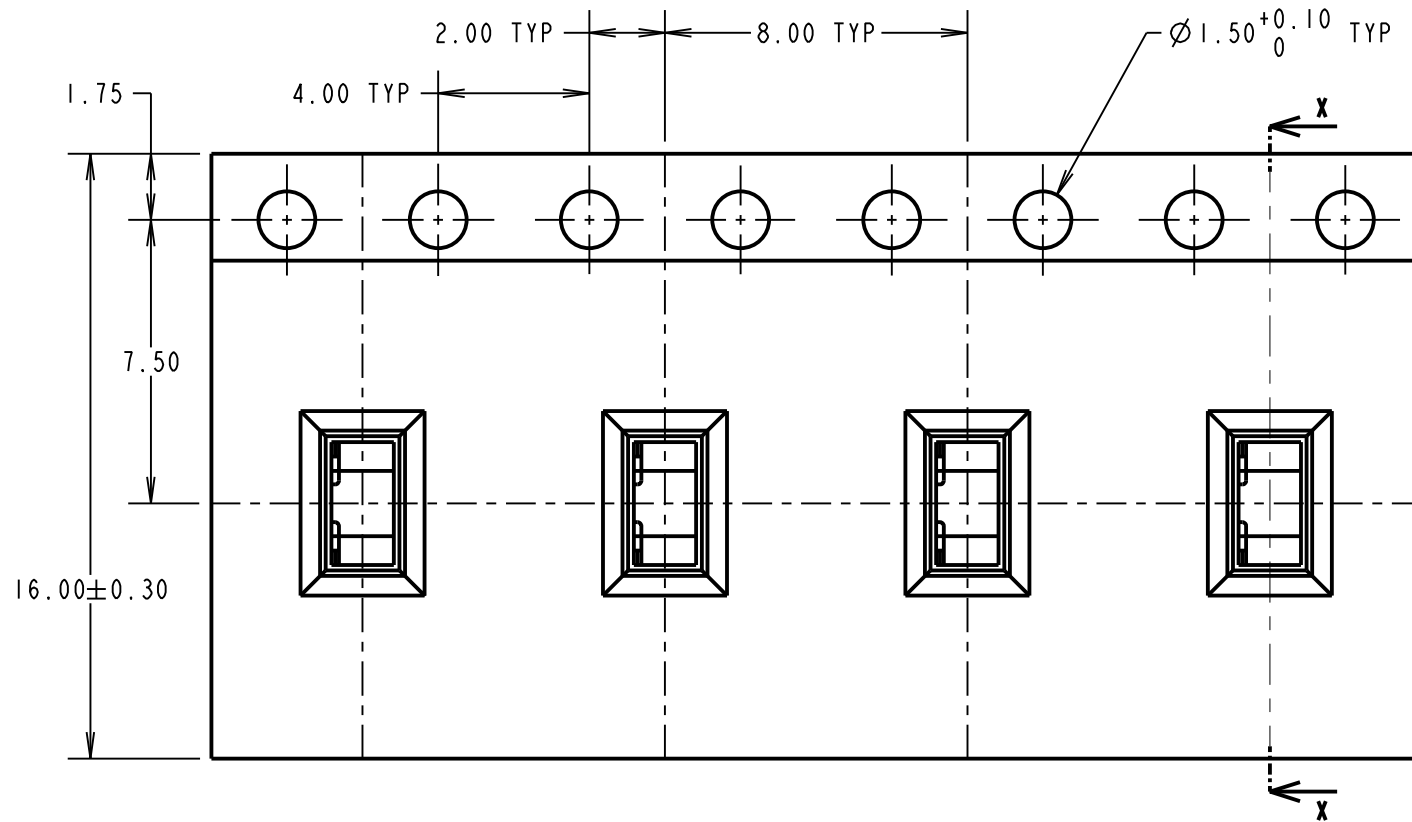
IF IN DOUBT - ASK

©

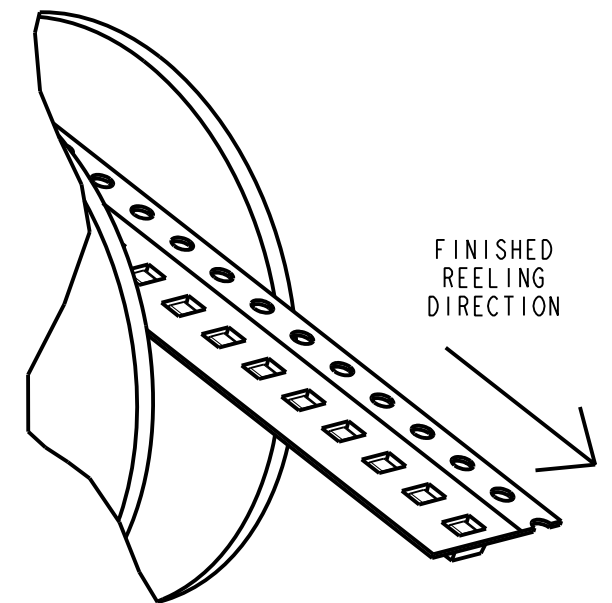
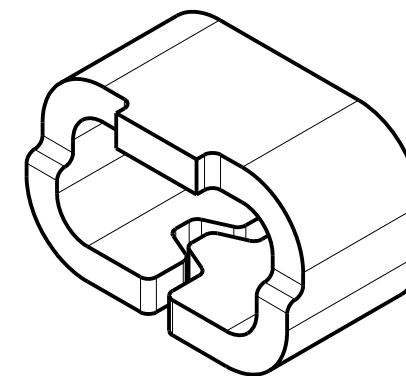
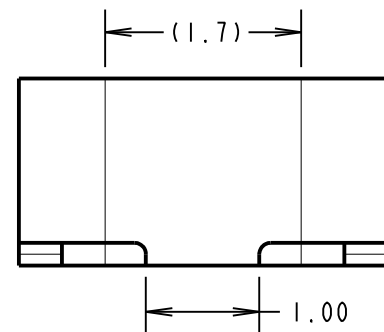
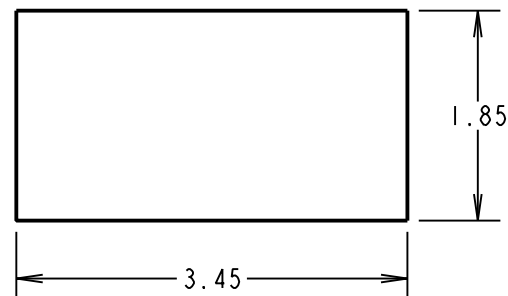
NOT TO SCALE

THIRD ANGLE PROJECTION

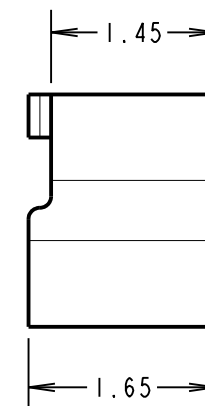
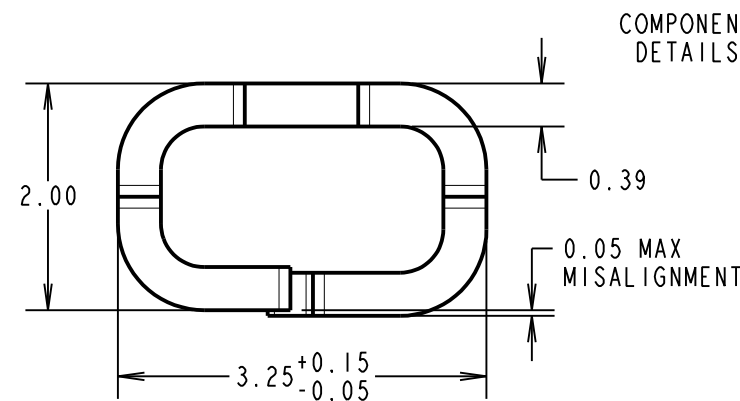
ALL DIMENSIONS IN mm



RECOMMENDED PAD LAYOUT  
TOLERANCE ±0.05mm



SPECIFICATIONS:  
MATERIAL = BRASS  
FINISH:  
~~06 = 4µm 90/10 TIN/LEAD~~  
46 = 4µm 100% TIN  
ELECTRICAL:  
CURRENT RATING = 2A MAX  
CONTACT RESISTANCE = 20mΩ MAX  
ENVIRONMENTAL:  
OPERATING TEMPERATURE = -55°C TO +125°C



**OBSOLETE**

ORDER CODE	FINISH
<del>S1751-06R</del>	<del>TIN/LEAD</del>
S1751-46R	100% TIN

MGP	9	10.05.21	30534
NAME	ISS.	DATE	CN/CO
APPROVED: MGP			
CHECKED: RA			
DRAWN: W. J. BOURNE			
CUSTOMER REF.:			
ASSEMBLY DRG:			

- NOTES:
- QUANTITY PER REEL = 2,500.
  - THIS PRODUCT IS TAPED AND REELED IN ACCORDANCE WITH EIA-481-2-A (ELECTRONIC INDUSTRIES ASSOCIATION).
  - FOR LOOSE COMPONENTS, SEE S1751-XX.

**HARWIN**  
www.harwin.com  
technical@harwin.com

THIS DRAWING AND ANY INFORMATION OR DESCRIPTIVE MATTER SET OUT HEREON ARE CONFIDENTIAL AND COPYRIGHT PROPERTY OF THE HARWIN GROUP AND MUST NOT BE DISCLOSED, LOANED, COPIED OR USED FOR MANUFACTURING, TENDERING OR FOR ANY OTHER PURPOSE WITHOUT THEIR WRITTEN PERMISSION.

TOLERANCES  
X. = ±1mm  
X.X = ±0.50mm  
X.XX = ±0.20mm  
X.XXX = ±0.01mm  
ANGLES = ±5°  
UNLESS STATED

MATERIAL:  
SEE ABOVE  
FINISH: SEE ABOVE  
S/AREA: mm<sup>2</sup>

TITLE:  
SURFACE MOUNT TEST TERMINAL  
(TAPE AND REELED)  
DRAWING NUMBER:  
**S1751-XXR**  
SHT 2 OF 2