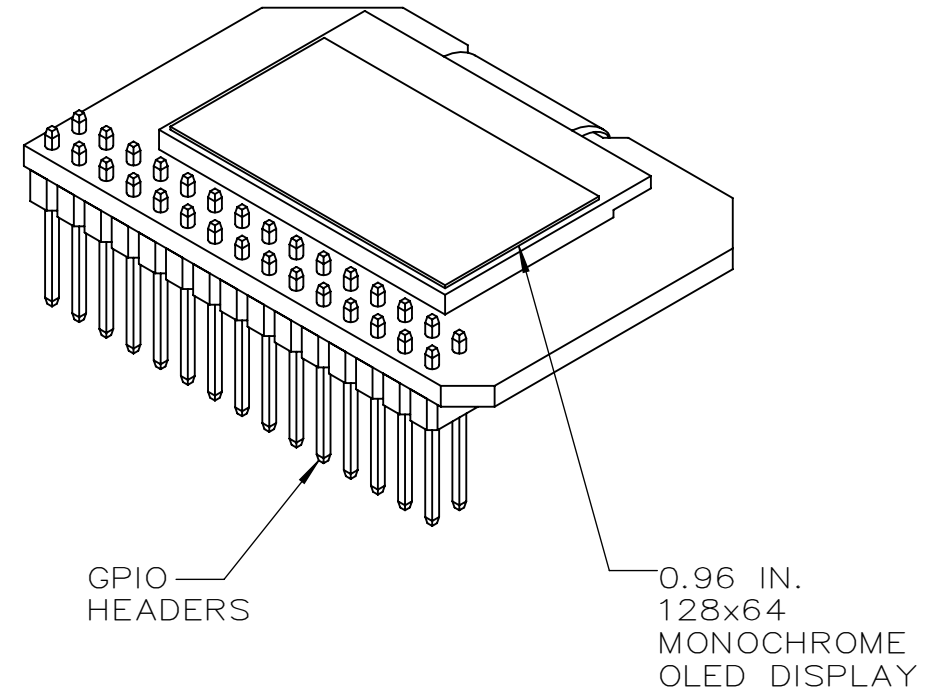
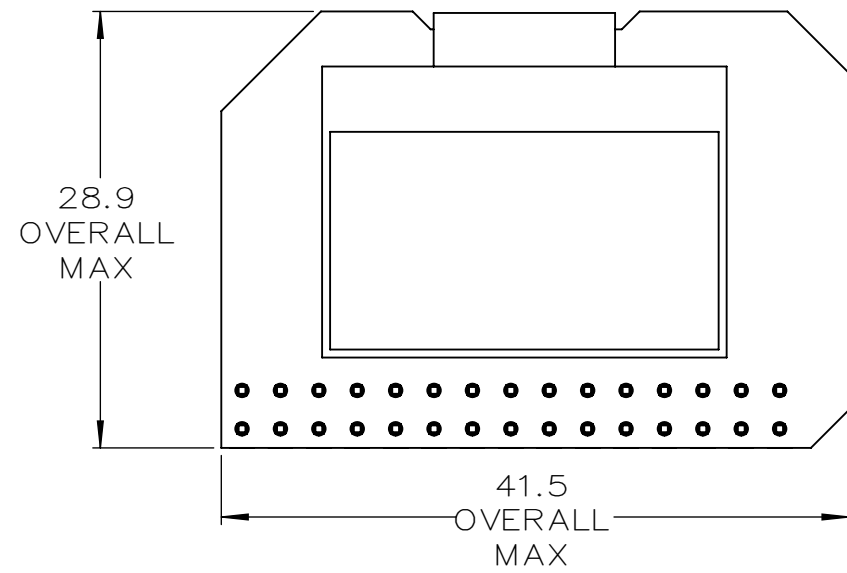


D

D

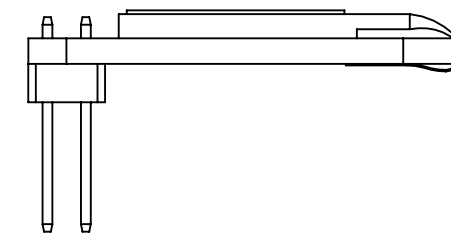
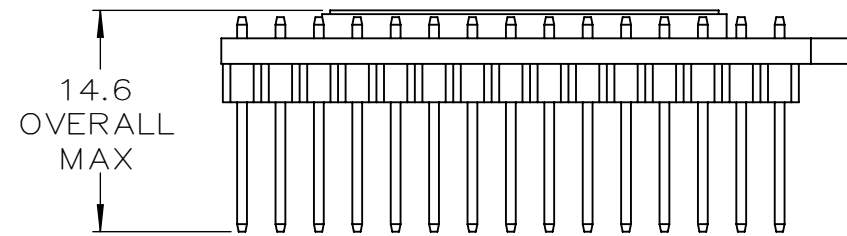


C

C

B

B



IMPORTANT NOTE:
EXPANSION BOARDS
CANNOT BE STACKED
ABOVE THIS UNIT.

GENERAL DESCRIPTION

ONLY MAJOR AND INTERFACING COMPONENTS SHOWN.
THRU-HOLE PINS MAY HAVE SOLDER AT THEIR BASES.
SLIGHT VARIATIONS MAY OCCUR DUE TO MFG AND ASSY.
SEE DOCUMENTATION FOR HOW TO USE.
FOR REFERENCE ONLY. THIS IS NOT A DESIGN GUIDE.

		DIMENSION IN MM UNLESS NOTED	THE INFORMATION CONTAINED IN THIS DRAWING IS THE SOLE PROPERTY OF ONION CORPORATION. ANY REPRODUCTION IN PART OR AS A WHOLE WITHOUT THE WRITTEN PERMISSION OF ONION CORPORATION IS PROHIBITED.	
		TOLERANCES	AUTHOR	DATE
		.X ±0.1	GO	2016-03-31
		.XX ±0.06	CHECKED	DATE
		.XXX ±0.010	APPROVED	DATE
		ANG.	PROJECTION TYPE	
		MACH ±0.5°		
		BEND ±1°	TITLE	
		MATERIAL	OM-E-OLE	
			PART NO.	
			REV.	
			SCALE	
			SIZE	
			SHEET	
			DO NOT SCALE DRAWING	
			2:1 B 1 OF 4	
NEXT ASSY	USED ON			

A

A

8 7 6 5 4 3 2 1

D

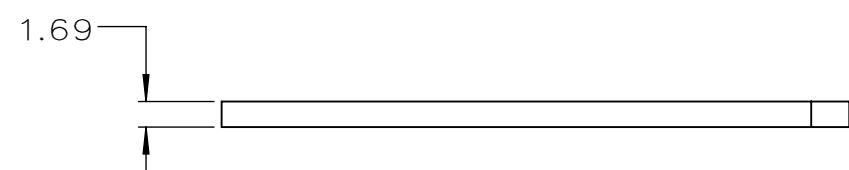
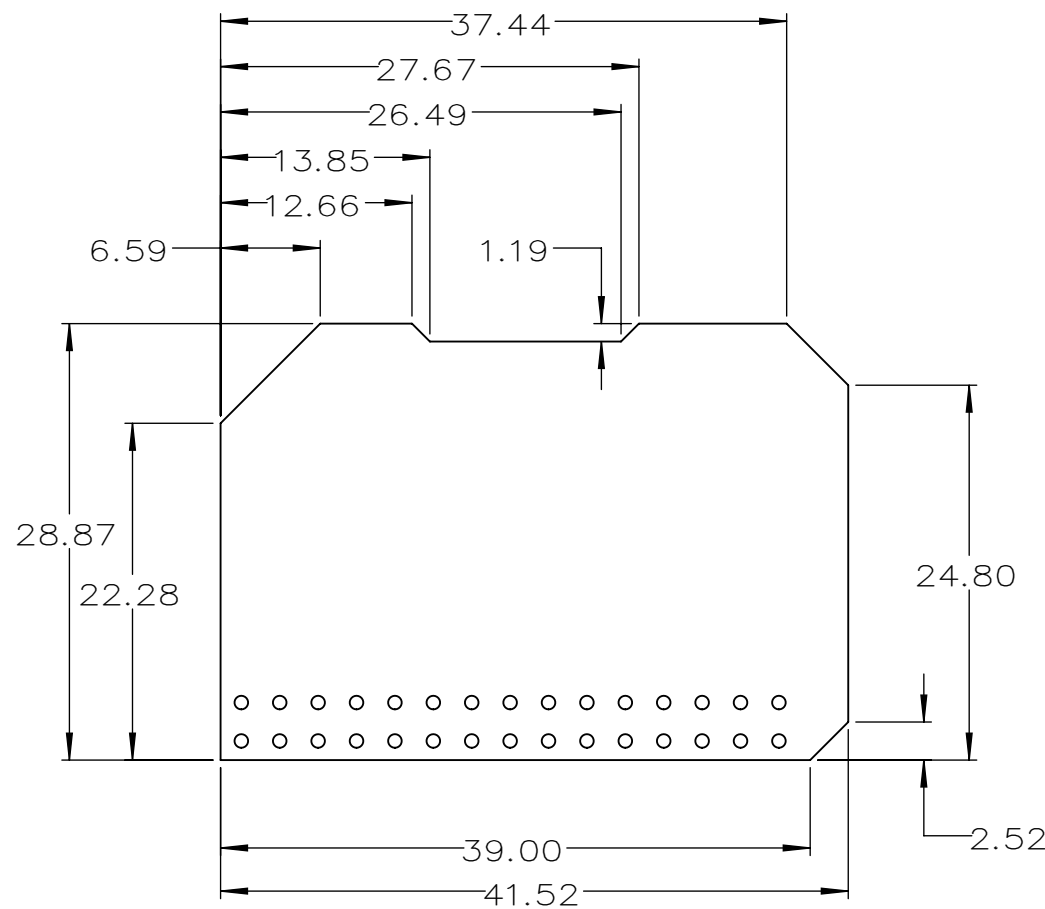
D

C

C

B

B



BOARD
OUTLINE

ONLY MAJOR AND INTERFACING COMPONENTS SHOWN.
 THRU-HOLE PINS MAY HAVE SOLDER AT THEIR BASES.
 SLIGHT VARIATIONS MAY OCCUR DUE TO MFG AND ASSY.
 SEE DOCUMENTATION FOR HOW TO USE.
 FOR REFERENCE ONLY. THIS IS NOT A DESIGN GUIDE.

		DIMENSION IN MM UNLESS NOTED	THE INFORMATION CONTAINED IN THIS DRAWING IS THE SOLE PROPERTY OF ONION CORPORATION. ANY REPRODUCTION IN PART OR AS A WHOLE WITHOUT THE WRITTEN PERMISSION OF ONION CORPORATION IS PROHIBITED.		
		TOLERANCES	AUTHOR	DATE	
		.X ±0.1 .XX ±0.06 .XXX ±0.010 ANG. MACH ±0.5° BEND ±1°	GO	2016-03-31	
		MATERIAL	CHECKED	DATE	TITLE
					OLED EXPANSION
			APPROVED	DATE	PART NO.
					OM-E-OLE
			PROJECTION TYPE		REV.
					A
		DO NOT SCALE DRAWING	SCALE	SIZE	SHEET
			2:1	B	2 OF 4

8 7 6 5 4 3 2 1

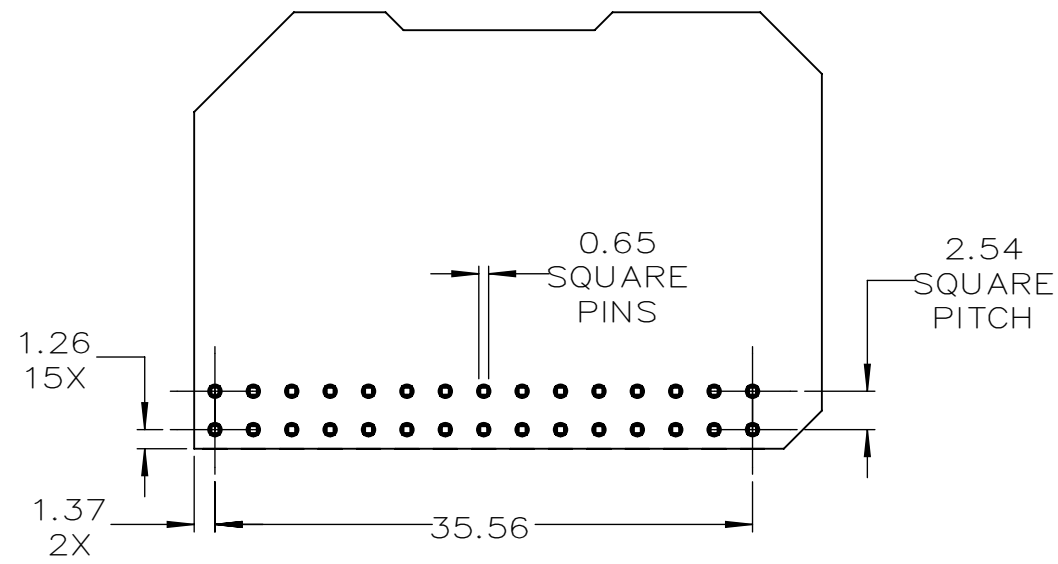
A

A

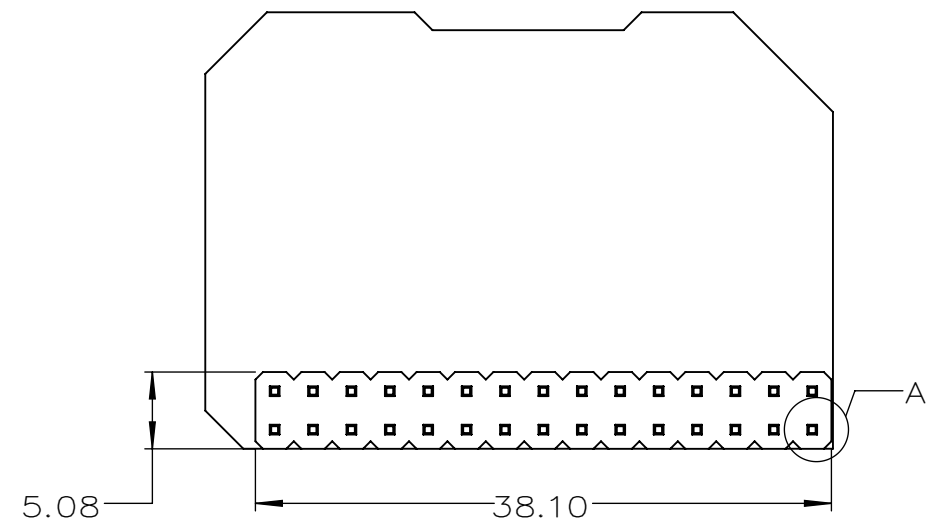
8 7 6 5 4 3 2 1

D

D



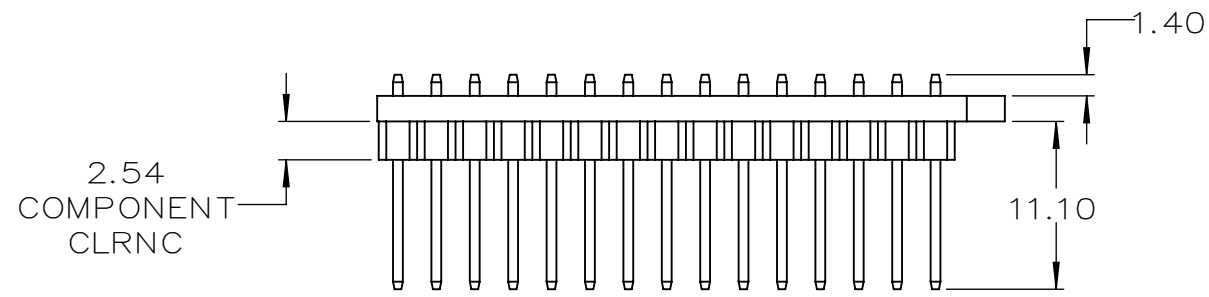
TOP VIEW



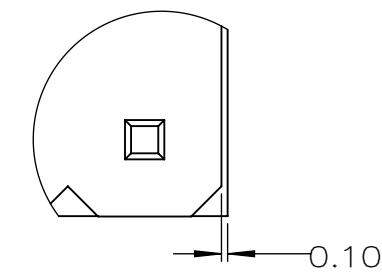
BOTTOM VIEW

C

C



FRONT VIEW



DETAIL A
HEADER OFFSET
SCALE 8 : 1

B

B

GPIO DETAIL
(BOARD AND GPIO HEADER ONLY)

ONLY MAJOR AND INTERFACING COMPONENTS SHOWN.
THRU-HOLE PINS MAY HAVE SOLDER AT THEIR BASES.
SLIGHT VARIATIONS MAY OCCUR DUE TO MFG AND ASSY.
SEE DOCUMENTATION FOR HOW TO USE.
FOR REFERENCE ONLY. THIS IS NOT A DESIGN GUIDE.

		DIMENSION IN MM UNLESS NOTED	THE INFORMATION CONTAINED IN THIS DRAWING IS THE SOLE PROPERTY OF ONION CORPORATION. ANY REPRODUCTION IN PART OR AS A WHOLE WITHOUT THE WRITTEN PERMISSION OF ONION CORPORATION IS PROHIBITED.		
		TOLERANCES	AUTHOR	DATE	
		.X ±0.1 .XX ±0.06 .XXX ±0.010	GO	2016-03-31	
		ANG. MACH ±0.5° BEND ±1°	CHECKED	DATE	TITLE
		MATERIAL	APPROVED	DATE	OLED EXPANSION
		DO NOT SCALE DRAWING	PROJECTION TYPE		PART NO.
NEXT ASSY	USED ON				OM-E-OLE
					REV. A
					SCALE SIZE SHEET
					2:1 B 3 OF 4

A

A

8 7 6 5 4 3 2 1

D

D

C

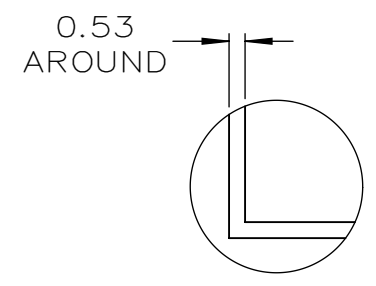
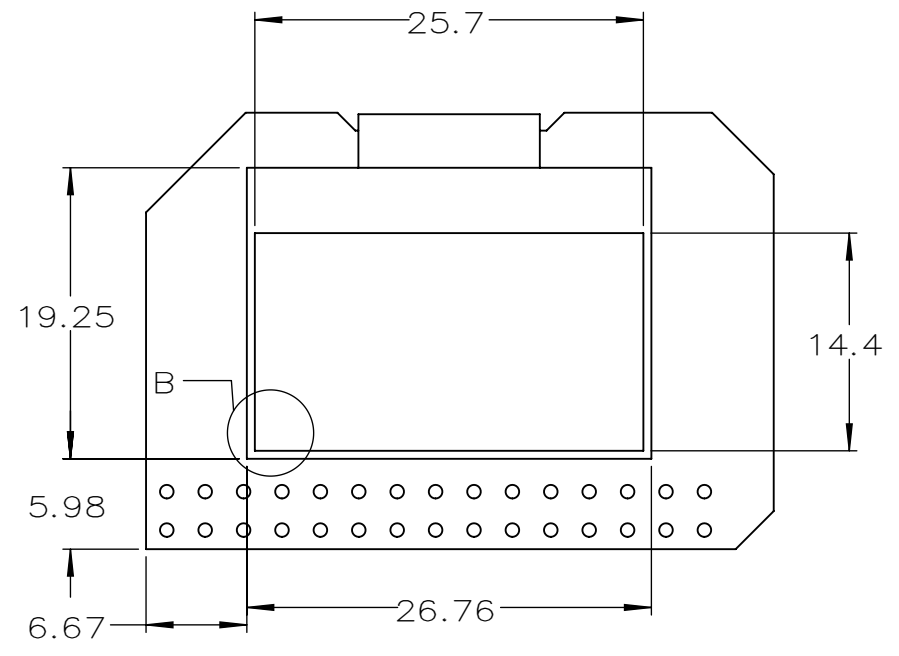
C

B

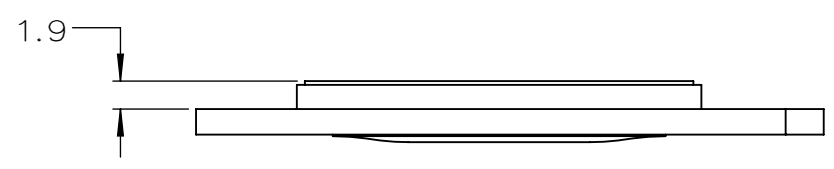
B

A

A



DETAIL B
SCALE 4 : 1



OLED DETAIL
(BOARD AND OLED DISPLAY ONLY)

ONLY MAJOR AND INTERFACING COMPONENTS SHOWN.
 THRU-HOLE PINS MAY HAVE SOLDER AT THEIR BASES.
 SLIGHT VARIATIONS MAY OCCUR DUE TO MFG AND ASSY.
 SEE DOCUMENTATION FOR HOW TO USE.
 FOR REFERENCE ONLY. THIS IS NOT A DESIGN GUIDE.

		DIMENSION IN MM UNLESS NOTED	THE INFORMATION CONTAINED IN THIS DRAWING IS THE SOLE PROPERTY OF ONION CORPORATION. ANY REPRODUCTION IN PART OR AS A WHOLE WITHOUT THE WRITTEN PERMISSION OF ONION CORPORATION IS PROHIBITED.	
		TOLERANCES	AUTHOR GO	DATE 2016-03-31
		.X ±0.1	CHECKED	DATE
		.XX ±0.06		
		.XXX ±0.010	APPROVED	DATE
		ANG.		
		MACH ±0.5°	PROJECTION TYPE	TITLE OLED EXPANSION
		BEND ±1°		PART NO. OM-E-OLE
		MATERIAL		REV. A
NEXT ASSY	USED ON	DO NOT SCALE DRAWING	SCALE 2:1	SIZE B
			SHEET 4 OF 4	