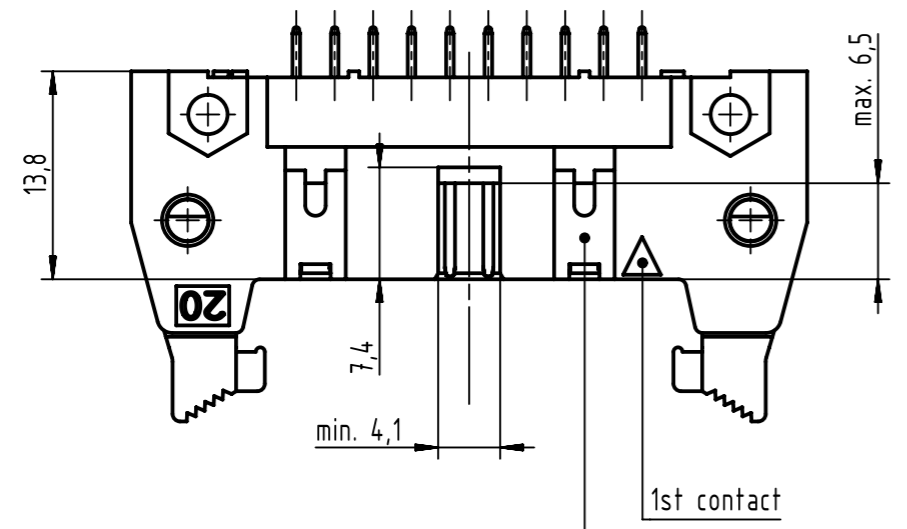
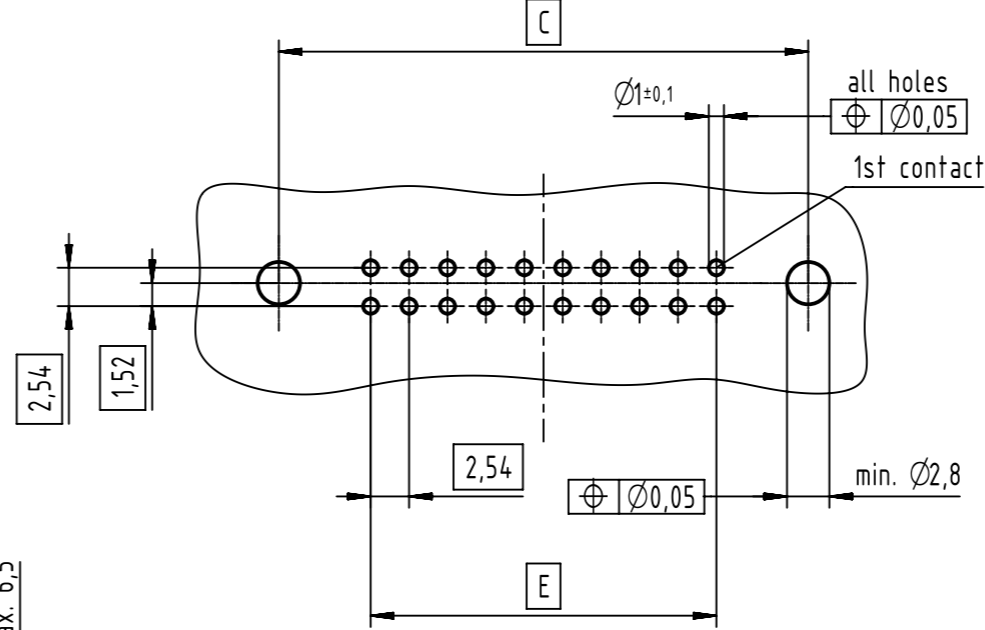
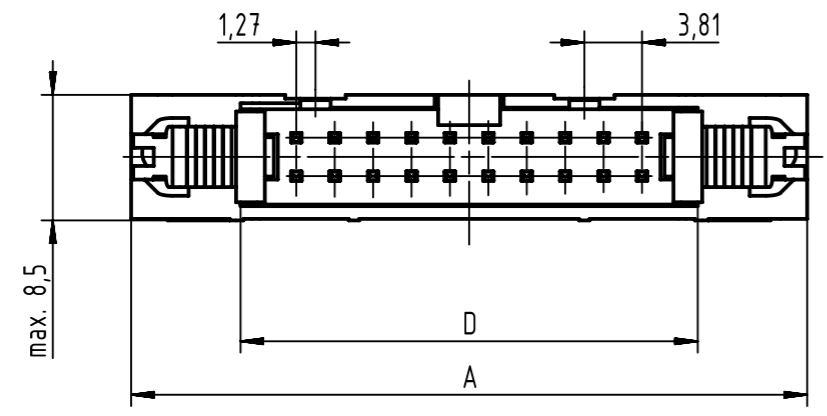
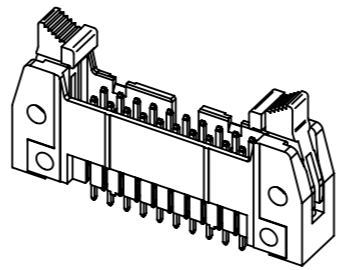


PCB layout
view component side
thickness 1,6



see table for coding,
feature arrangement and style



coding style table	
	style A: for connectors 6-pole
	style B: for connectors from 10 to 14-pole
	style C: for connectors from 16 to 64-pole

further information
see: DS 09181200001
full range of P/N's and
dimensions shown on page 2/2

	All rights reserved Department EC PD - DE	Created by STORCK	Inspected by TADJE	Standardisation KOHLER	Date 2015-12-21	State Final Release	Ref. Sub. TB 09185XXX914/914800 / 500000087654 / 2015-04-08
	HARTING Electronics GmbH D-32339 Espelkamp	Title SEK 18 male standard conn straight with short lever 2.9		Type TB	Number 09185XXX914	Doc-Key / ECM-Nr. 100154464/UGD/023/A 50000094595	Rev. A Page 1/2

A	1	2		3		4		5		6		7		8	
	no. of contacts	performance level						insulator colour	dimensions						
		PL3		PL2		S4			A max.	C	D	E		F	
	part number	part number	part number	part number	part number	part number									
B	06	09 18 506 7914	09 18 506 6914	09 18 506 5914	grey	27,2	22,86	12,45	2,54 x 2 = 5,08		36,9				
	10	09 18 510 7914	09 18 510 6914	09 18 510 5914		32,3	27,94	17,53	2,54 x 4 = 10,16		42,0				
	14	09 18 514 7914	09 18 514 6914	09 18 514 5914		37,4	33,02	22,61	2,54 x 6 = 15,24		47,1				
	16	09 18 516 7914	09 18 516 6914	09 18 516 5914		39,9	35,56	25,15	2,54 x 7 = 17,78		49,6				
	20	09 18 520 7914	09 18 520 6914	09 18 520 5914		45,0	40,64	30,23	2,54 x 9 = 22,86		54,7				
	24	09 18 524 7914	09 18 524 6914	09 18 524 5914		50,1	45,72	35,91	2,54 x 11 = 27,94		59,8				
	26	09 18 526 7914	09 18 526 6914	09 18 526 5914		52,6	48,26	37,85	2,54 x 12 = 30,48		62,3				
	30	09 18 530 7914	09 18 530 6914	09 18 530 5914		58,0	53,34	43,83	2,54 x 14 = 35,56		68,2				
	34	09 18 534 7914	09 18 534 6914	09 18 534 5914		62,8	58,42	48,01	2,54 x 16 = 40,64		72,5				
	40	09 18 540 7914	09 18 540 6914	09 18 540 5914		70,4	66,04	55,63	2,54 x 19 = 48,26		80,1				
	50	09 18 550 7914	09 18 550 6914	09 18 550 5914		83,1	78,74	68,33	2,54 x 24 = 60,96		92,8				
	60	09 18 560 7914	09 18 560 6914	09 18 560 5914		95,8	91,44	81,03	2,54 x 29 = 73,66		105,5				
C	64	09 18 564 7914	09 18 564 6914	09 18 564 5914	100,9	96,52	86,11	2,54 x 31 = 78,74		110,6					
	06	09 18 506 7914 001	09 18 506 6914 001	09 18 506 5914 001	black	27,2	22,86	12,45	2,54 x 2 = 5,08		36,9				
	10	09 18 510 7914 001	09 18 510 6914 001	09 18 510 5914 001		32,3	27,94	17,53	2,54 x 4 = 10,16		42,0				
	14	09 18 514 7914 001	09 18 514 6914 001	09 18 514 5914 001		37,4	33,02	22,61	2,54 x 6 = 15,24		47,1				
	16	09 18 516 7914 001	09 18 516 6914 001	09 18 516 5914 001		39,9	35,56	25,15	2,54 x 7 = 17,78		49,6				
	20	09 18 520 7914 001	09 18 520 6914 001	09 18 520 5914 001		45,0	40,64	30,23	2,54 x 9 = 22,86		54,7				
	24	09 18 524 7914 001	09 18 524 6914 001	09 18 524 5914 001		50,1	45,72	35,91	2,54 x 11 = 27,94		59,8				
	26	09 18 526 7914 001	09 18 526 6914 001	09 18 526 5914 001		52,6	48,26	37,85	2,54 x 12 = 30,48		62,3				
	30	09 18 530 7914 001	09 18 530 6914 001	09 18 530 5914 001		58,0	53,34	43,83	2,54 x 14 = 35,56		68,2				
	34	09 18 534 7914 001	09 18 534 6914 001	09 18 534 5914 001		62,8	58,42	48,01	2,54 x 16 = 40,64		72,5				
	40	09 18 540 7914 001	09 18 540 6914 001	09 18 540 5914 001		70,4	66,04	55,63	2,54 x 19 = 48,26		80,1				
	50	09 18 550 7914 001	09 18 550 6914 001	09 18 550 5914 001		83,1	78,74	68,33	2,54 x 24 = 60,96		92,8				
60	09 18 560 7914 001	09 18 560 6914 001	09 18 560 5914 001	95,8		91,44	81,03	2,54 x 29 = 73,66		105,5					
D	64	09 18 564 7914 001	09 18 564 6914 001	09 18 564 5914 001	100,9	96,52	86,11	2,54 x 31 = 78,74		110,6					
	06	09 18 506 7914 800	09 18 506 6914 800	09 18 506 5914 800	grey without printing	27,2	22,86	12,45	2,54 x 2 = 5,08		36,9				
	10	09 18 510 7914 800	09 18 510 6914 800	09 18 510 5914 800		32,3	27,94	17,53	2,54 x 4 = 10,16		42,0				
	14	09 18 514 7914 800	09 18 514 6914 800	09 18 514 5914 800		37,4	33,02	22,61	2,54 x 6 = 15,24		47,1				
	16	09 18 516 7914 800	09 18 516 6914 800	09 18 516 5914 800		39,9	35,56	25,15	2,54 x 7 = 17,78		49,6				
	20	09 18 520 7914 800	09 18 520 6914 800	09 18 520 5914 800		45,0	40,64	30,23	2,54 x 9 = 22,86		54,7				
	24	09 18 524 7914 800	09 18 524 6914 800	09 18 524 5914 800		50,1	45,72	35,91	2,54 x 11 = 27,94		59,8				
	26	09 18 526 7914 800	09 18 526 6914 800	09 18 526 5914 800		52,6	48,26	37,85	2,54 x 12 = 30,48		62,3				
	30	09 18 530 7914 800	09 18 530 6914 800	09 18 530 5914 800		58,0	53,34	43,83	2,54 x 14 = 35,56		68,2				
	34	09 18 534 7914 800	09 18 534 6914 800	09 18 534 5914 800		62,8	58,42	48,01	2,54 x 16 = 40,64		72,5				
	40	09 18 540 7914 800	09 18 540 6914 800	09 18 540 5914 800		70,4	66,04	55,63	2,54 x 19 = 48,26		80,1				
	50	09 18 550 7914 800	09 18 550 6914 800	09 18 550 5914 800		83,1	78,74	68,33	2,54 x 24 = 60,96		92,8				
60	09 18 560 7914 800	09 18 560 6914 800	09 18 560 5914 800	95,8		91,44	81,03	2,54 x 29 = 73,66		105,5					
E	64	09 18 564 7914 800	09 18 564 6914 800	09 18 564 5914 800	100,9	96,52	86,11	2,54 x 31 = 78,74		110,6					

	All rights reserved	Created by	Inspected by	Standardisation	Date	State
	Department EC PD - DE	STORCK	TADJE	KOHLER	2015-12-21	Final Release
HARTING Electronics GmbH		Title				Doc-Key / ECM-Nr.
D-32339 Espelkamp		SEK 18 male standard conn straight with short lever 2.9				100154464/UGD/023/A 50000094595
		Type	Number	Rev.	Page	
		TB	09185XXX914	A	2/2	