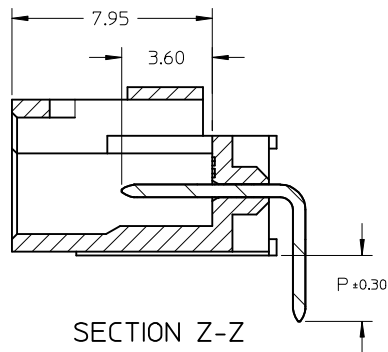
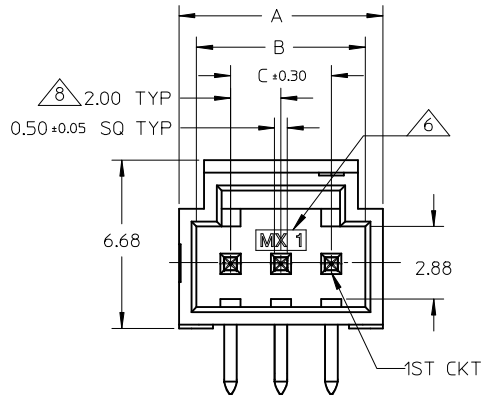
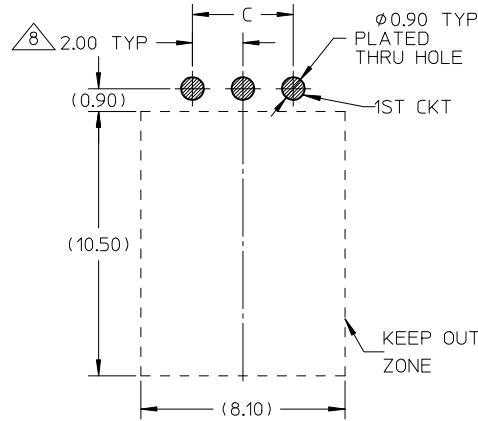
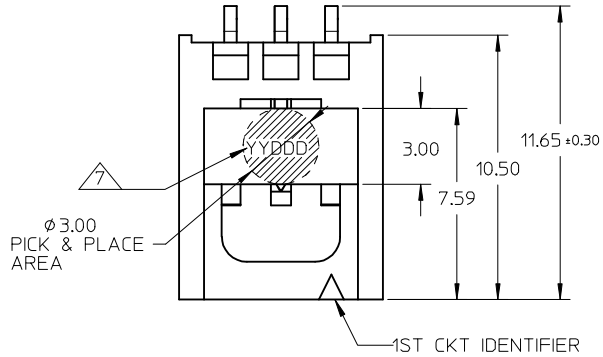


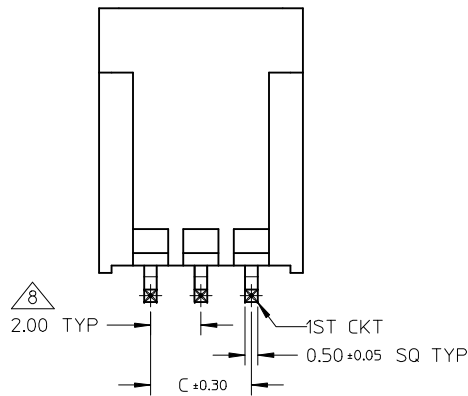
| CKT SIZE | DIMENSION |       |       |       |
|----------|-----------|-------|-------|-------|
|          | A         | B     | C     | D     |
| 2        | 6.10      | 4.70  | 2.00  | 3.00  |
| 3        | 8.10      | 6.70  | 4.00  | 5.00  |
| 4        | 10.10     | 8.70  | 6.00  | 7.00  |
| 5        | 12.10     | 10.70 | 8.00  | 9.00  |
| 6        | 14.10     | 12.70 | 10.00 | 11.00 |
| 7        | 16.10     | 14.70 | 12.00 | 13.00 |
| 8        | 18.10     | 16.70 | 14.00 | 15.00 |
| 9        | 20.10     | 18.70 | 16.00 | 17.00 |
| 10       | 22.10     | 20.70 | 18.00 | 19.00 |

RECOMMENDED PCB LAYOUT  
GENERAL TOLERANCE: ±0.05

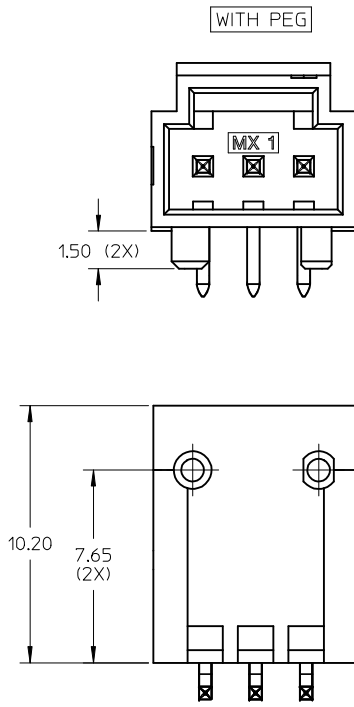


NOTES:

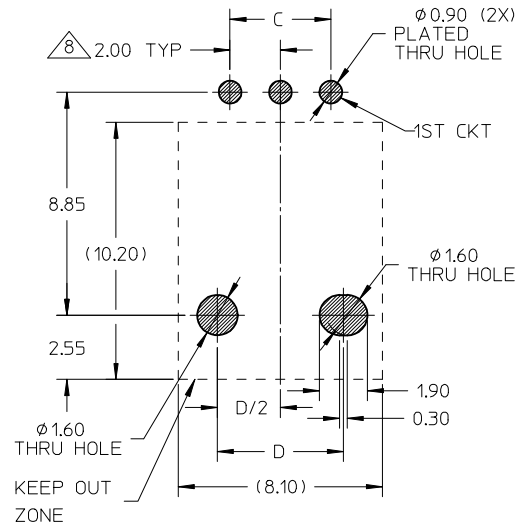
1. MATERIAL:  
HOUSING: LIQUID CRYSTALLINE POLYMERS(LCP), GLASS FILLED, UL94V-0, BLACK.  
PIN: COPPER ALLOY, 0.50MM SQ
2. PLATING: SEE TABLE.
3. PRODUCT SPECIFICATION: PS-151062-0001.
4. PACKAGING SPECIFICATION: PK-151062-0001.
5. TO BE MATED WITH MOLEX RECEPTACLES SERIES: 151100.
6. MANUFACTURING ID & CAVITY ID SHALL BE LOCATED APPROXIMATELY AS SHOWN.
7. DATE CODE: YYDDD IS LOCATED APPROXIMATELY AS SHOWN.
8. PITCH TOLERANCE SHALL BE NON ACCUMULATED.



|   |  |                                       |            |                            |            |                   |                        |                        |  |  |
|---|--|---------------------------------------|------------|----------------------------|------------|-------------------|------------------------|------------------------|--|--|
| RELEASE TO REV A<br>EC NO: S2016-0665<br>DRWN:FCS00 2016/01/27<br>CHKD:CGOH 2016/02/16<br>APPR:KHLIM 2016/02/16               | QUALITY SYMBOLS<br>$F_A=0$<br>$F_G=0$<br>$F_P=0$ | GENERAL TOLERANCES (UNLESS SPECIFIED) |            | DIMENSION STYLE<br>MM ONLY |            | SCALE<br>NTS      | DESIGN UNITS<br>METRIC | THIRD ANGLE PROJECTION |  |  |
|   |  | mm                                    | INCH       | DRAWN BY                   | DATE       | TITLE             |                        |                        |  |  |
|   |  | 4 PLACES ± ---                        | ± ---      | FCS00                      | 2014/12/19 | SALES DRAWING     |                        |                        |  |  |
|   |  | 3 PLACES ± ---                        | ± ---      | CHECKED BY                 | DATE       | PCB HEADER, RA TH |                        |                        |  |  |
| 2 PLACES ± 0.20   | ± ---  | FCS00                                 | 2014/12/19 | SINGLE ROW MILLIGRID       |            |                   |                        |                        |  |  |
| 1 PLACE ± ---   | ± ---  | APPROVED BY                           | DATE       | <b>molex</b>               |            |                   |                        |                        |  |  |
| 0 PLACE ± ---   | ± ---  | KHLIM                                 | 2015/07/02 |                            |            |                   |                        |                        |  |  |
| ANGULAR ± 3 °   |  | MATERIAL NO.                          |            | DOCUMENT NO.               |            | SHEET NO.         |                        |                        |  |  |
| DRAFT WHERE APPLICABLE MUST REMAIN WITHIN DIMENSIONS  |  | SEE TABLE                             |            | SD-151065-0001             |            | 1 OF 3            |                        |                        |  |  |
| THIS DRAWING CONTAINS INFORMATION THAT IS PROPRIETARY TO MOLEX INCORPORATED AND SHOULD NOT BE USED WITHOUT WRITTEN PERMISSION |  |                                       |            |                            |            |                   |                        |                        |  |  |



RECOMMENDED PCB LAYOUT  
GENERAL TOLERANCE: ±0.05



| RELEASE TO REV A<br>EC NO: S2016-0665<br>DRWN:FCS00 2016/01/27<br>CHKD:CGOH 2016/02/16<br>APPR:KHLIM 2016/02/16 | DESCRIPTION<br>REV                                   | QUALITY SYMBOLS  | GENERAL TOLERANCES (UNLESS SPECIFIED)  | DIMENSION STYLE<br>MM ONLY | SCALE<br>NTS | DESIGN UNITS<br>METRIC         | THIRD ANGLE PROJECTION |       |       |          |       |       |          |        |       |         |       |       |         |       |       |   |          |      |       |       |            |  |            |      |       |            |             |      |       |            |  |  |  |  |
|---|--|--|--|----------------------------|--------------|--------------------------------|------------------------|-------|-------|----------|-------|-------|----------|--------|-------|---------|-------|-------|---------|-------|-------|---|----------|------|-------|-------|------------|--|------------|------|-------|------------|-------------|------|-------|------------|--|--|--|--|
|   |  | $\nabla_A = 0$<br>$\nabla_C = 0$<br>$\nabla_P = 0$                             | <table border="1"> <thead> <tr> <th></th> <th>mm</th> <th>INCH</th> </tr> </thead> <tbody> <tr> <td>4 PLACES</td> <td>± ---</td> <td>± ---</td> </tr> <tr> <td>3 PLACES</td> <td>± ---</td> <td>± ---</td> </tr> <tr> <td>2 PLACES</td> <td>± 0.20</td> <td>± ---</td> </tr> <tr> <td>1 PLACE</td> <td>± ---</td> <td>± ---</td> </tr> <tr> <td>0 PLACE</td> <td>± ---</td> <td>± ---</td> </tr> </tbody> </table> |                            | mm           | INCH                           | 4 PLACES               | ± --- | ± --- | 3 PLACES | ± --- | ± --- | 2 PLACES | ± 0.20 | ± --- | 1 PLACE | ± --- | ± --- | 0 PLACE | ± --- | ± --- | <table border="1"> <thead> <tr> <th>DRAWN BY</th> <th>DATE</th> <th>TITLE</th> </tr> </thead> <tbody> <tr> <td>FCS00</td> <td>2014/12/19</td> <td rowspan="4">                     SALES DRAWING<br/>                     PCB HEADER, RA TH<br/>                     SINGLE ROW MILLIGRID<br/><br/> <b>molex</b> </td> </tr> <tr> <td>CHECKED BY</td> <td>DATE</td> </tr> <tr> <td>FCS00</td> <td>2014/12/19</td> </tr> <tr> <td>APPROVED BY</td> <td>DATE</td> </tr> <tr> <td>KHLIM</td> <td>2015/07/02</td> <td></td> </tr> </tbody> </table> | DRAWN BY | DATE | TITLE | FCS00 | 2014/12/19 | SALES DRAWING<br>PCB HEADER, RA TH<br>SINGLE ROW MILLIGRID<br><br><b>molex</b> | CHECKED BY | DATE | FCS00 | 2014/12/19 | APPROVED BY | DATE | KHLIM | 2015/07/02 |  |  |  |  |
|   |  |  | mm   | INCH                       |              |                                |                        |       |       |          |       |       |          |        |       |         |       |       |         |       |       |   |          |      |       |       |            |  |            |      |       |            |             |      |       |            |  |  |  |  |
|   |  | 4 PLACES   | ± ---  | ± ---                      |              |                                |                        |       |       |          |       |       |          |        |       |         |       |       |         |       |       |   |          |      |       |       |            |  |            |      |       |            |             |      |       |            |  |  |  |  |
| 3 PLACES  | ± ---  | ± ---  |  |                            |              |                                |                        |       |       |          |       |       |          |        |       |         |       |       |         |       |       |   |          |      |       |       |            |  |            |      |       |            |             |      |       |            |  |  |  |  |
| 2 PLACES  | ± 0.20   | ± ---  |  |                            |              |                                |                        |       |       |          |       |       |          |        |       |         |       |       |         |       |       |   |          |      |       |       |            |  |            |      |       |            |             |      |       |            |  |  |  |  |
| 1 PLACE   | ± ---  | ± ---  |  |                            |              |                                |                        |       |       |          |       |       |          |        |       |         |       |       |         |       |       |   |          |      |       |       |            |  |            |      |       |            |             |      |       |            |  |  |  |  |
| 0 PLACE   | ± ---  | ± ---  |  |                            |              |                                |                        |       |       |          |       |       |          |        |       |         |       |       |         |       |       |   |          |      |       |       |            |  |            |      |       |            |             |      |       |            |  |  |  |  |
| DRAWN BY  | DATE   | TITLE  |  |                            |              |                                |                        |       |       |          |       |       |          |        |       |         |       |       |         |       |       |   |          |      |       |       |            |  |            |      |       |            |             |      |       |            |  |  |  |  |
| FCS00   | 2014/12/19   | SALES DRAWING<br>PCB HEADER, RA TH<br>SINGLE ROW MILLIGRID<br><br><b>molex</b> |  |                            |              |                                |                        |       |       |          |       |       |          |        |       |         |       |       |         |       |       |   |          |      |       |       |            |  |            |      |       |            |             |      |       |            |  |  |  |  |
| CHECKED BY  | DATE   |  |  |                            |              |                                |                        |       |       |          |       |       |          |        |       |         |       |       |         |       |       |   |          |      |       |       |            |  |            |      |       |            |             |      |       |            |  |  |  |  |
| FCS00   | 2014/12/19   |  |  |                            |              |                                |                        |       |       |          |       |       |          |        |       |         |       |       |         |       |       |   |          |      |       |       |            |  |            |      |       |            |             |      |       |            |  |  |  |  |
| APPROVED BY   | DATE   |  |  |                            |              |                                |                        |       |       |          |       |       |          |        |       |         |       |       |         |       |       |   |          |      |       |       |            |  |            |      |       |            |             |      |       |            |  |  |  |  |
| KHLIM   | 2015/07/02   |  |  |                            |              |                                |                        |       |       |          |       |       |          |        |       |         |       |       |         |       |       |   |          |      |       |       |            |  |            |      |       |            |             |      |       |            |  |  |  |  |
|   | ANGULAR ± 3 °  |  |  |                            |              |                                |                        |       |       |          |       |       |          |        |       |         |       |       |         |       |       |   |          |      |       |       |            |  |            |      |       |            |             |      |       |            |  |  |  |  |
|   | DRAFT WHERE APPLICABLE MUST REMAIN WITHIN DIMENSIONS |  |  | SEE TABLE                  |              | DOCUMENT NO.<br>SD-151065-0001 | SHEET NO.<br>2 OF 3    |       |       |          |       |       |          |        |       |         |       |       |         |       |       |   |          |      |       |       |            |  |            |      |       |            |             |      |       |            |  |  |  |  |

ASSEMBLY

151065 - X X X X

|         |                   |
|---------|-------------------|
| 02 - 10 | 2-10 CKT W/O PEG  |
| 52 - 60 | 2-10 CKT WITH PEG |
|         | 52 = 2CKT         |
|         | 53 = 3CKT         |
|         | .                 |
|         | 59 = 9CKT         |
|         | 60 = 10CKT        |

| PLATING |               |
|---------|---------------|
| 0       | FULL TIN      |
| 1       | Au FLASH      |
| 2       | 0.38 Au       |
| 3       | 0.75 Au       |
| 4       | OTHER OPTIONS |
| 5       |               |
| 6       |               |
| 7       |               |
| 8       |               |
| 9       |               |

|   | P TAIL LENGTH | PACKAGING     |
|---|---------------|---------------|
| 0 | 2.60          | TAPE & REEL   |
| 1 | 3.60          |               |
| 2 | 4.60          |               |
| 3 | 2.60          |               |
| 4 | 3.60          | TUBE          |
| 5 | 4.60          |               |
| 6 |               | OTHER OPTIONS |
| 7 |               |               |
| 8 |               |               |
| 9 |               |               |

| PLATING OPTIONS |  |
|-----------------|--|
| -*0**           | 2.50µm MIN. TIN ON CONTACT AND<br>2.00µm MIN. TIN ON SOLDERTAIL OVER<br>1.25µm MIN. NICKEL OVERALL                 |
| -*1**           | 0.05µm MIN. GOLD PLATE ON CONTACT AND<br>2.00µm MIN. TIN (MATTE) ON SOLDERTAIL OVER<br>1.25µm MIN. NICKEL OVERALL. |
| -*2**           | 0.38µm MIN. GOLD PLATE ON CONTACT AND<br>2.00µm MIN. TIN (MATTE) ON SOLDERTAIL OVER<br>1.25µm MIN. NICKEL OVERALL. |
| -*3**           | 0.75µm MIN. GOLD PLATE ON CONTACT AND<br>2.00µm MIN. TIN (MATTE) ON SOLDERTAIL OVER<br>1.25µm MIN. NICKEL OVERALL. |

| PACKAGING OPTION AND CAP |                           |
|--------------------------|---------------------------|
| TAPE & REEL              | 151000-4***               |
| PACKAGING TUBE           | 151000-3015               |
| P TAIL LENGTH            | RECOMMENDED PCB THICKNESS |
| 2.60                     | 1.50                      |
| 3.60                     | 2.50                      |
| 4.60                     | 3.50                      |

|   |                      |   |  |   |  |              |                        |
|---|----------------------|---|--|---|--|--------------|------------------------|
| RELEASE TO REV A<br>EC NO: S2016-0665<br>DRWN:FCS00 2016/01/27<br>CHKD:CGOH 2016/02/16<br>APPR:KHLIM 2016/02/16 | REV DESCRIPTION<br>A | QUALITY SYMBOLS   | GENERAL TOLERANCES (UNLESS SPECIFIED)  | DIMENSION STYLE                                       | SCALE  | DESIGN UNITS | THIRD ANGLE PROJECTION |
|   |                      | $F_A=0$<br>$F_G=0$<br>$F_P=0$   | mm INCH  | MM ONLY   | NTS  | METRIC       |                        |
|   |                      | 4 PLACES ± --- ± ---<br>3 PLACES ± --- ± ---<br>2 PLACES ± 0.20 ± ---<br>1 PLACE ± --- ± ---<br>0 PLACE ± --- ± --- | DRAWN BY DATE<br>FCS00 2014/12/19<br>CHECKED BY DATE<br>FCS00 2014/12/19<br>APPROVED BY DATE<br>KHLIM 2015/07/02 | TITLE   | SALES DRAWING<br>PCB HEADER, RA TH<br>SINGLE ROW MILLIGRID   |              |                        |
|   |                      | ANGULAR ± 3 °<br>DRAFT WHERE APPLICABLE<br>MUST REMAIN<br>WITHIN DIMENSIONS   | MATERIAL NO.<br>SEE TABLE<br>SIZE<br>A3  | DOCUMENT NO.<br>SD-151065-0001<br>SHEET NO.<br>3 OF 3 | THIS DRAWING CONTAINS INFORMATION THAT IS PROPRIETARY TO MOLEX<br>INCORPORATED AND SHOULD NOT BE USED WITHOUT WRITTEN PERMISSION |              |                        |