

Features

- Ceramic core provides stable electrical characteristics
- High self-resonant frequency
- AEC-Q200 compliant
- RoHS compliant* and halogen free**

CW105550A Series – 0402 Chip Inductors

Electrical Specifications @ 25 °C

Bourns® Part No.	Inductance		Q	Test Freq. (MHz)		SRF (MHz)	DCR (Ohms)	I _{rms} (mA)
	L (nH)	Tol.		Min.	L			
CW105550A-1N0D	1.0	±0.3 nH	13	250	250	6000	0.045	1360
CW105550A-1N5D	1.5	±0.3 nH	16	250	250	6000	0.070	1040
CW105550A-1N9D	1.9	±0.3 nH	16	250	250	6000	0.070	1040
CW105550A-2N0D	2.0	±0.3 nH	16	250	250	6000	0.070	1040
CW105550A-2N2D	2.2	±0.3 nH	18	250	250	6000	0.070	960
CW105550A-2N4D	2.4	±0.3 nH	16	250	250	6000	0.068	790
CW105550A-2N7D	2.7	±0.3 nH	16	250	250	6000	0.120	860
CW105550A-3N3J	3.3	±5 %	20	250	250	6000	0.066	840
CW105550A-3N6J	3.6	±5 %	20	250	250	6000	0.066	840
CW105550A-3N9J	3.9	±5 %	20	250	250	5800	0.066	840
CW105550A-4N3J	4.3	±5 %	18	250	250	6000	0.091	700
CW105550A-4N7J	4.7	±5 %	15	250	250	4775	0.130	640
CW105550A-5N1J	5.1	±5 %	23	250	250	5800	0.083	800
CW105550A-5N6J	5.6	±5 %	23	250	250	5800	0.083	760
CW105550A-6N2J	6.2	±5 %	23	250	250	5800	0.083	760
CW105550A-6N8J	6.8	±5 %	20	250	250	4800	0.104	680
CW105550A-7N5J	7.5	±5 %	25	250	250	5800	0.104	680
CW105550A-8N2J	8.2	±5 %	25	250	250	4400	0.200	680
CW105550A-8N7J	8.7	±5 %	18	250	250	4100	0.104	480
CW105550A-9N0J	9.0	±5 %	25	250	250	4160	0.200	680
CW105550A-9N5J	9.5	±5 %	18	250	250	4000	0.200	680
CW105550A-10NJ	10	±5 %	23	250	250	3900	0.195	480
CW105550A-11NJ	11	±5 %	26	250	250	3680	0.120	640
CW105550A-12NJ	12	±5 %	26	250	250	3600	0.120	640
CW105550A-13NJ	13	±5 %	24	250	250	3450	0.210	560
CW105550A-15NJ	15	±5 %	26	250	250	3280	0.172	560
CW105550A-16NJ	16	±5 %	24	250	250	3100	0.220	560
CW105550A-18NJ	18	±5 %	25	250	250	3100	0.230	520
CW105550A-19NJ	19	±5 %	26	250	250	3040	0.202	480
CW105550A-20NJ	20	±5 %	25	250	250	3000	0.250	420
CW105550A-22NJ	22	±5 %	25	250	250	2800	0.300	400
CW105550A-23NJ	23	±5 %	26	250	250	2720	0.214	400
CW105550A-24NJ	24	±5 %	25	250	250	2700	0.300	400
CW105550A-27NJ	27	±5 %	26	250	250	2480	0.298	400
CW105550A-30NJ	30	±5 %	25	250	250	2350	0.300	400
CW105550A-33NJ	33	±5 %	24	250	250	2350	0.350	400
CW105550A-36NJ	36	±5 %	26	250	250	2320	0.403	320
CW105550A-39NJ	39	±5 %	25	250	250	2100	0.550	320
CW105550A-40NJ	40	±5 %	26	250	250	2240	0.438	320
CW105550A-43NJ	43	±5 %	25	250	250	2030	0.810	240
CW105550A-47NJ	47	±5 %	26	200	200	2100	0.830	210
CW105550A-51NJ	51	±5 %	25	200	200	1750	0.820	210
CW105550A-56NJ	56	±5 %	22	200	200	1760	0.970	200
CW105550A-68NJ	68	±5 %	22	200	200	1620	1.120	180
CW105550A-82NJ	82	±5 %	20	150	150	1500	1.250	150
CW105550A-91NJ	91	±5 %	20	150	150	1350	2.300	120
CW105550A-R10J	100	±5 %	20	150	150	1300	2.520	120
CW105550A-R12J	120	±5 %	20	150	150	1100	2.660	110

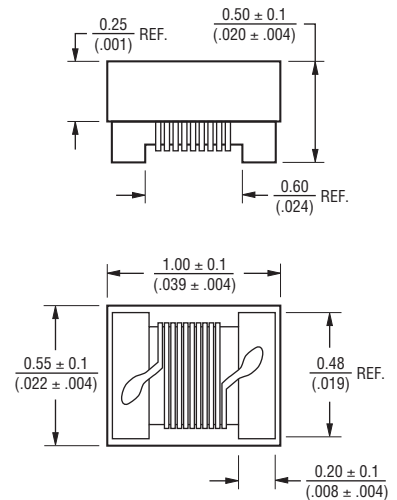
General Specifications

Operating Temperature-40 °C to +125 °C
 (Temperature rise included)
 Storage Temperature-40 °C to +125 °C
 Temperature Rise 15 °C at rated I_{rms}
 Moisture Sensitivity Level 1
 ESD Classification (HBM)..... N/A

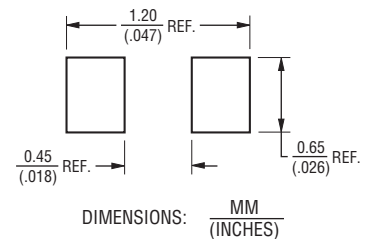
Materials

Core MaterialCeramic
 WireEnameled copper (Class H)
 Terminal Mo/Mn+Ni+Au
 Packaging 10,000 pcs. per 7-inch reel

Product Dimensions



Recommended Layout



WARNING Cancer and Reproductive Harm
www.P65Warnings.ca.gov

* RoHS Directive 2002/95/EC Jan. 27, 2003 including annex and RoHS Recast 2011/65/EU June 8, 2011.

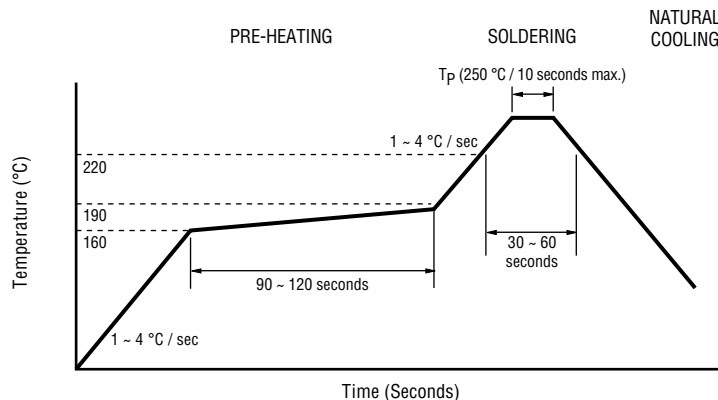
** Bourns considers a product to be "halogen free" if (a) the Bromine (Br) content is 900 ppm or less; (b) the Chlorine (Cl) content is 900 ppm or less; and (c) the total Bromine (Br) and Chlorine (Cl) content is 1500 ppm or less.

Specifications are subject to change without notice. Users should verify actual device performance in their specific applications. The products described herein and this document are subject to specific legal disclaimers as set forth on the last page of this document, and at www.bourns.com/docs/legal/disclaimer.pdf.

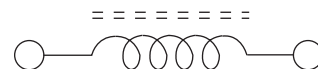
CW10550A Series – 0402 Chip Inductors

BOURNS®

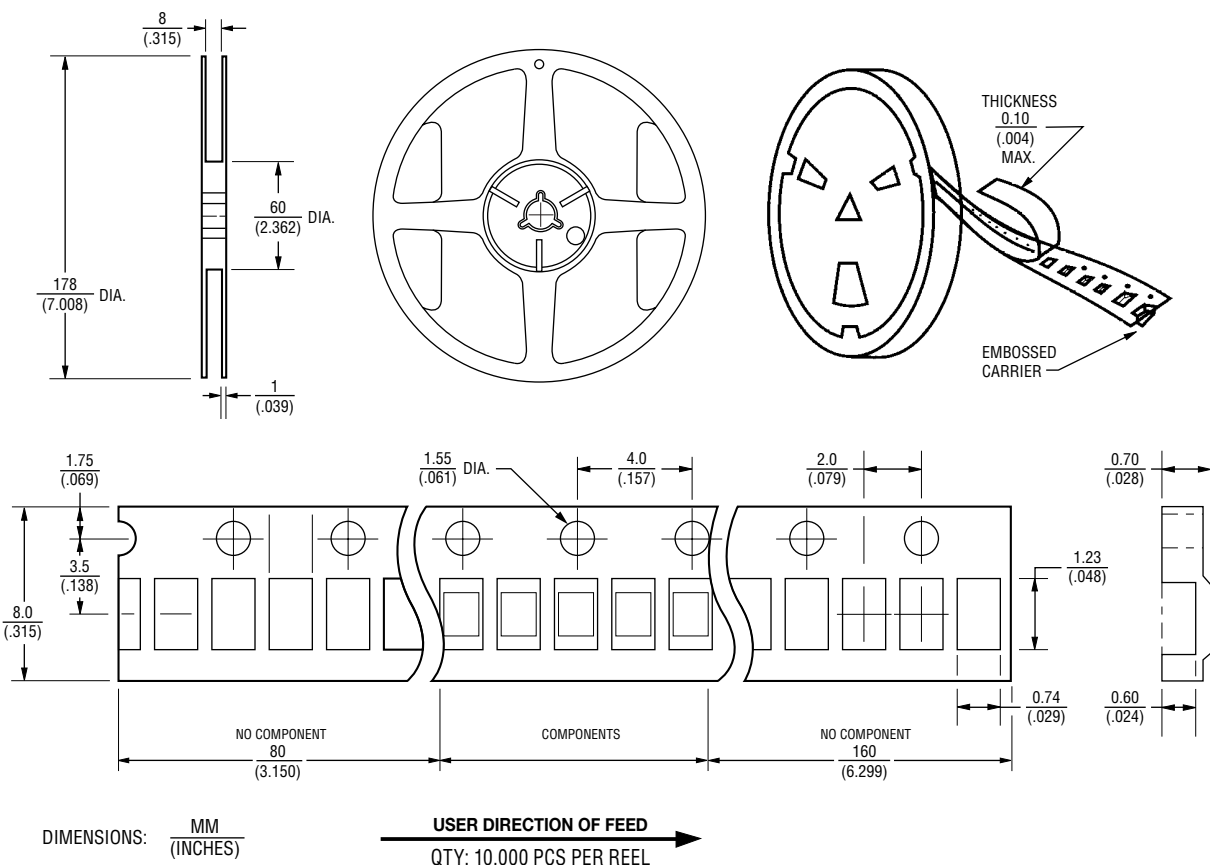
Solder Profile



Schematic



Packaging Specifications



Legal Disclaimer Notice

BOURNS®

This legal disclaimer applies to purchasers and users of Bourns® products manufactured by or on behalf of Bourns, Inc. and its affiliates (collectively, “Bourns”).

Unless otherwise expressly indicated in writing, Bourns® products and data sheets relating thereto are subject to change without notice. Users should check for and obtain the latest relevant information and verify that such information is current and complete before placing orders for Bourns® products.

The characteristics and parameters of a Bourns® product set forth in its data sheet are based on laboratory conditions, and statements regarding the suitability of products for certain types of applications are based on Bourns’ knowledge of typical requirements in generic applications. The characteristics and parameters of a Bourns® product in a user application may vary from the data sheet characteristics and parameters due to (i) the combination of the Bourns® product with other components in the user’s application, or (ii) the environment of the user application itself. The characteristics and parameters of a Bourns® product also can and do vary in different applications and actual performance may vary over time. Users should always verify the actual performance of the Bourns® product in their specific devices and applications, and make their own independent judgments regarding the amount of additional test margin to design into their device or application to compensate for differences between laboratory and real world conditions.

Unless Bourns has explicitly designated an individual Bourns® product as meeting the requirements of a particular industry standard (e.g., ISO/TS 16949) or a particular qualification (e.g., UL listed or recognized), Bourns is not responsible for any failure of an individual Bourns® product to meet the requirements of such industry standard or particular qualification. Users of Bourns® products are responsible for ensuring compliance with safety-related requirements and standards applicable to their devices or applications.

Bourns® products are not recommended, authorized or intended for use in nuclear, lifesaving, life-critical or life-sustaining applications, nor in any other applications where failure or malfunction may result in personal injury, death, or severe property or environmental damage. Unless expressly and specifically approved in writing by two authorized Bourns representatives on a case-by-case basis, use of any Bourns® products in such unauthorized applications might not be safe and thus is at the user’s sole risk. Life-critical applications include devices identified by the U.S. Food and Drug Administration as Class III devices and generally equivalent classifications outside of the United States.

Bourns expressly identifies those Bourns® standard products that are suitable for use in automotive applications on such products’ data sheets in the section entitled “Applications.” Unless expressly and specifically approved in writing by two authorized Bourns representatives on a case-by-case basis, use of any other Bourns® standard products in an automotive application might not be safe and thus is not recommended, authorized or intended and is at the user’s sole risk. If Bourns expressly identifies a sub-category of automotive application in the data sheet for its standard products (such as infotainment or lighting), such identification means that Bourns has reviewed its standard product and has determined that if such Bourns® standard product is considered for potential use in automotive applications, it should only be used in such sub-category of automotive applications. Any reference to Bourns® standard product in the data sheet as compliant with the AEC-Q standard or “automotive grade” does not by itself mean that Bourns has approved such product for use in an automotive application.

Bourns® standard products are not tested to comply with United States Federal Aviation Administration standards generally or any other generally equivalent governmental organization standard applicable to products designed or manufactured for use in aircraft or space applications. Bourns expressly identifies Bourns® standard products that are suitable for use in aircraft or space applications on such products’ data sheets in the section entitled “Applications.” Unless expressly and specifically approved in writing by two authorized Bourns representatives on a case-by-case basis, use of any other Bourns® standard product in an aircraft or space application might not be safe and thus is not recommended, authorized or intended and is at the user’s sole risk.

The use and level of testing applicable to Bourns® custom products shall be negotiated on a case-by-case basis by Bourns and the user for which such Bourns® custom products are specially designed. Absent a written agreement between Bourns and the user regarding the use and level of such testing, the above provisions applicable to Bourns® standard products shall also apply to such Bourns® custom products.

Users shall not sell, transfer, export or re-export any Bourns® products or technology for use in activities which involve the design, development, production, use or stockpiling of nuclear, chemical or biological weapons or missiles, nor shall they use Bourns® products or technology in any facility which engages in activities relating to such devices. The foregoing restrictions apply to all uses and applications that violate national or international prohibitions, including embargos or international regulations. Further, Bourns® products and Bourns technology and technical data may not under any circumstance be exported or re-exported to countries subject to international sanctions or embargoes. Bourns® products may not, without prior authorization from Bourns and/or the U.S. Government, be resold, transferred, or re-exported to any party not eligible to receive U.S. commodities, software, and technical data.

To the maximum extent permitted by applicable law, Bourns disclaims (i) any and all liability for special, punitive, consequential, incidental or indirect damages or lost revenues or lost profits, and (ii) any and all implied warranties, including implied warranties of fitness for particular purpose, non-infringement and merchantability.

For your convenience, copies of this Legal Disclaimer Notice with German, Spanish, Japanese, Traditional Chinese and Simplified Chinese bilingual versions are available at:

Web Page: <http://www.bourns.com/legal/disclaimers-terms-and-policies>

PDF: <http://www.bourns.com/docs/Legal/disclaimer.pdf>