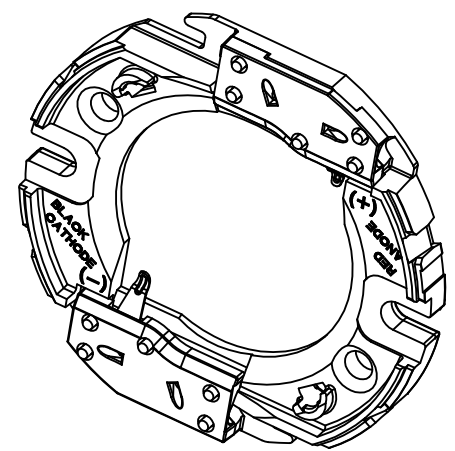
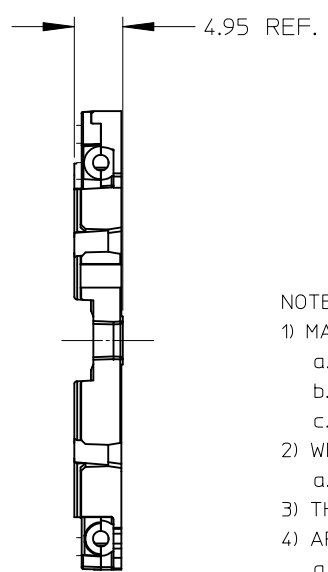
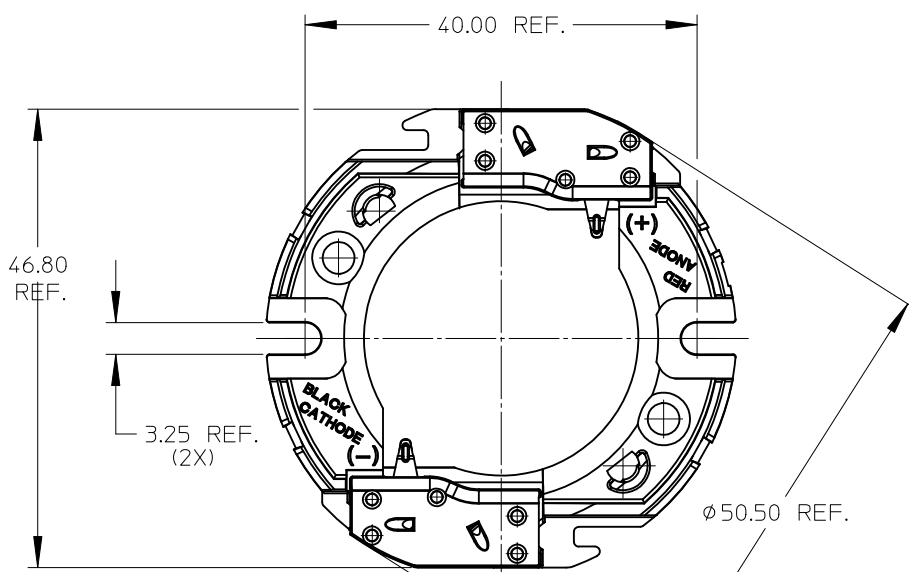
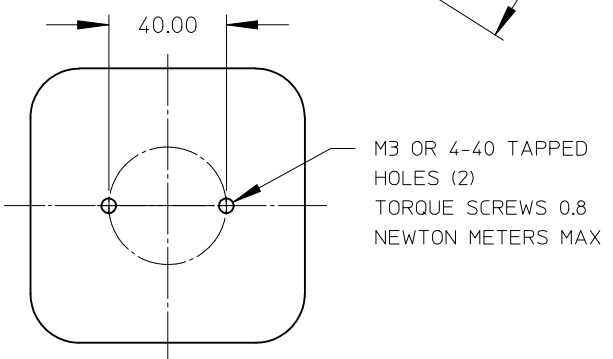


PART NUMBER	DESCRIPTION	SEE SHEET
180190-0000	HOLDER WITHOUT LENS	3
180190-0001	HOLDER WITH LENS	3
180192-0000	COVER LENS ONLY	3



- NOTES:
- MATERIALS:
 - CAPS: NATURAL COLOR PA66 NYLON 25% GF UL94V-0
 - HOUSING: NATURAL COLOR PA66 NYLON 25% GF UL94V-0
 - COVER LENS: CLEAR POLYCARBONATE UL94HB
 - WIRE TRAP TERMINALS: COPPER ALLOY
 - FINISH: GOLD OVER NICKEL
 - THIS PRODUCT IS ELV AND ROHS COMPLIANT
 - APPLICABLE WIRE GAUGE - 18 OR 20 AWG
 - SOLID WIRE IS RECOMMENDED
 - IF STRANDED WIRE IS USED, PRE-TINNED IS RECOMMENDED
 - 1 cm STRIP LENGTH IS RECOMMENDED
 - MOUNT HOLDER USING M3 OR 4-40 SCREWS (2), 0.8 NEWTON METERS MAX TORQUE
 - UL RECOGNIZED TO UL496
 c-UL RECOGNIZED TO CSA-C22.2 NO. 43 (2008)
 RATED 600V
 UL FILE NUMBER: E345583, UL-OLFB2

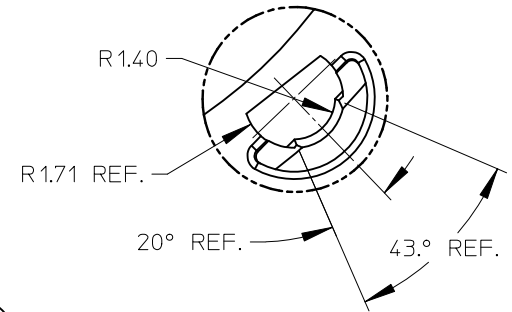
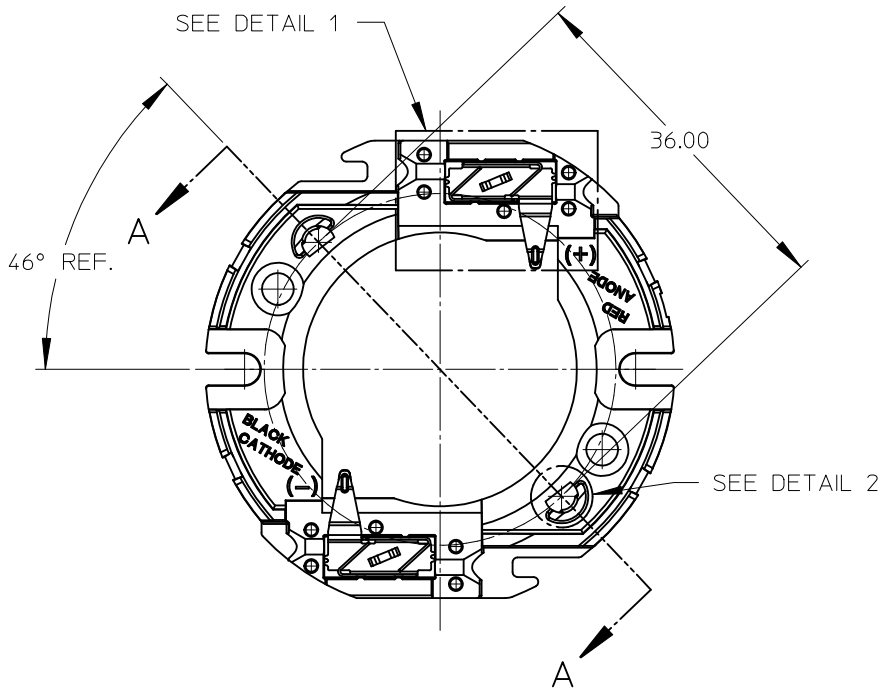


RECOMMENDED MOUNTING DIMENSIONS (NTS)

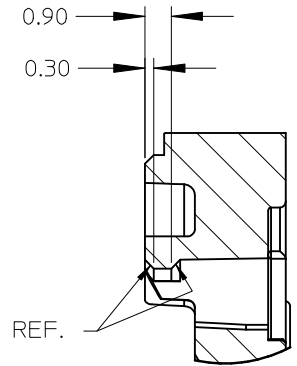
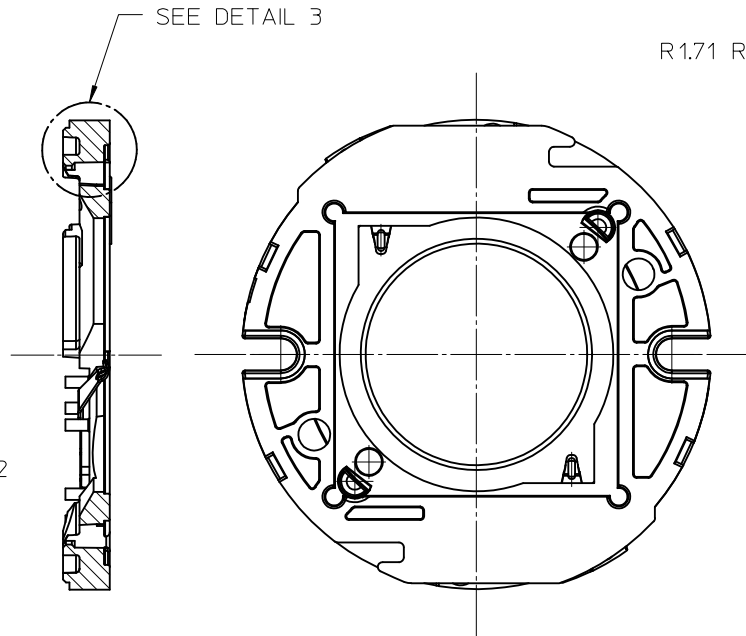
ENTER DESCRIPTION EC NO: SSL2012-0008 DRW/INF: JAKLIC 2011/08/02 CHKD: APPR: DMCGOWAN 2011/08/05	QUALITY SYMBOLS ▽=0 ▽=0 ▽=0	GENERAL TOLERANCES (UNLESS SPECIFIED)		DIMENSION STYLE MM ONLY	SCALE 2:1	DESIGN UNITS METRIC	THIRD ANGLE PROJECTION
		4 PLACES ± --- ± --- 3 PLACES ± --- ± --- 2 PLACES ± 0.13 ± --- 1 PLACE ± 0.25 ± ---	mm INCH DRAWN BY: FJAKLIC DATE: 2011/01/28 CHECKED BY:	DATE: 2011/02/18	CITIZEN L-340 LED HOLDER		
		ANGULAR ±1/2°	APPROVED BY: DMCGOWAN MATERIAL NO.	DATE: 2011/02/18	MOLEX INCORPORATED		
		DRAFT WHERE APPLICABLE MUST REMAIN WITHIN DIMENSIONS	SEE CHART	DOCUMENT NO.	SD-180190-001	SHEET NO. 1 OF 3	

10 9 8 7 6 5 4 3 2 1

WIRE TRAP CAPS ARE REMOVED FROM FRONT VIEW FOR CLARITY

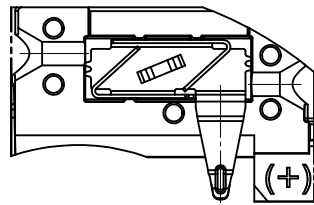


DETAIL 2 SCALE 6:1



LENS TO HOLDER SNAP FIT DETAIL

DETAIL 3 SCALE 6:1



VIEW OF TWO-WAY WIRE TRAP

WIRE TRAPS WILL ACCOMODATE
EITHER 18 OR 20 GAUGE WIRE

DETAIL 1 SCALE 3:1

ENTER DESCRIPTION EC NO: SSL2012-0008 DRAWN: JAKLIC 2011/08/02 CHKD: APPR: DMCGOWAN 2011/08/05 DESCRIPTION REV	QUALITY SYMBOLS $\nabla/0$ $\nabla/0$ $\nabla/0$	GENERAL TOLERANCES (UNLESS SPECIFIED) <table border="1"> <tr> <td></td> <td>mm</td> <td>INCH</td> </tr> <tr> <td>4 PLACES</td> <td>± ---</td> <td>± ---</td> </tr> <tr> <td>3 PLACES</td> <td>± ---</td> <td>± ---</td> </tr> <tr> <td>2 PLACES</td> <td>± 0.13</td> <td>± ---</td> </tr> <tr> <td>1 PLACE</td> <td>± 0.25</td> <td>± ---</td> </tr> <tr> <td colspan="3">ANGULAR ± 1/2°</td> </tr> </table>		mm	INCH	4 PLACES	± ---	± ---	3 PLACES	± ---	± ---	2 PLACES	± 0.13	± ---	1 PLACE	± 0.25	± ---	ANGULAR ± 1/2°			DIMENSION STYLE MM ONLY DRAWN BY DATE FJAKLIC 2011/01/28 CHECKED BY DATE	SCALE 2:1 TITLE CITIZEN L-340 LED HOLDER	DESIGN UNITS METRIC THIRD ANGLE PROJECTION
		mm	INCH																				
	4 PLACES	± ---	± ---																				
	3 PLACES	± ---	± ---																				
2 PLACES	± 0.13	± ---																					
1 PLACE	± 0.25	± ---																					
ANGULAR ± 1/2°																							
DRAFT WHERE APPLICABLE MUST REMAIN WITHIN DIMENSIONS	APPROVED BY DATE DMCGOWAN 2011/02/18 MATERIAL NO.	MOLEX INCORPORATED DOCUMENT NO. SD-180190-001	SHEET NO. 2 OF 3																				
SIZE B	THIS DRAWING CONTAINS INFORMATION THAT IS PROPRIETARY TO MOLEX INCORPORATED AND SHOULD NOT BE USED WITHOUT WRITTEN PERMISSION																						

9 8 7 6 5 4 3 2 1

10 9 8 7 6 5 4 3 2 1

F

E

D

C

B

A

F

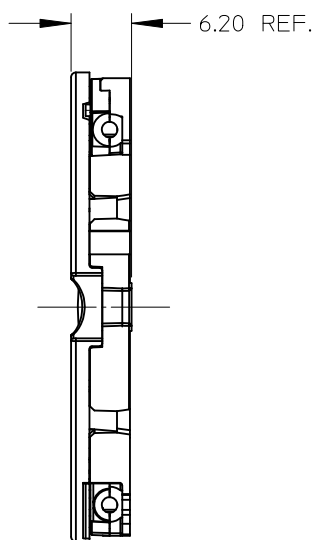
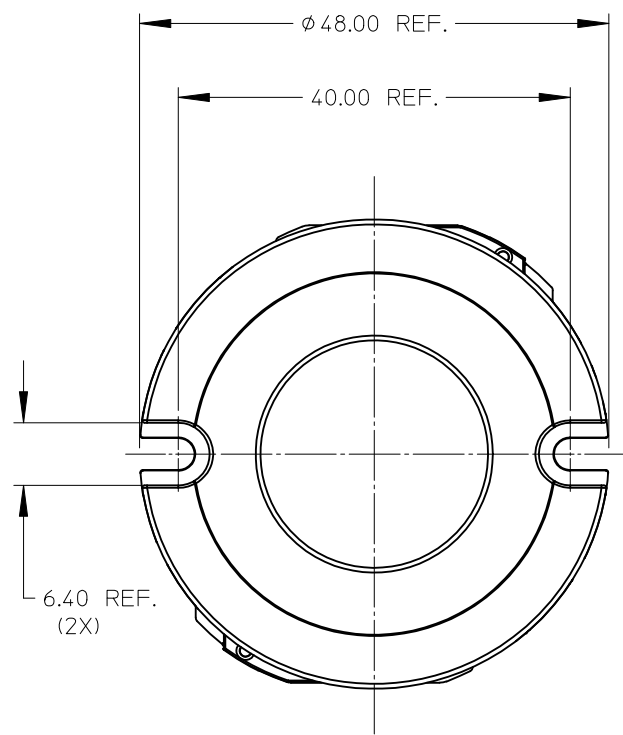
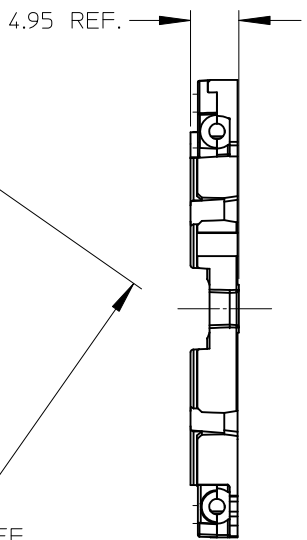
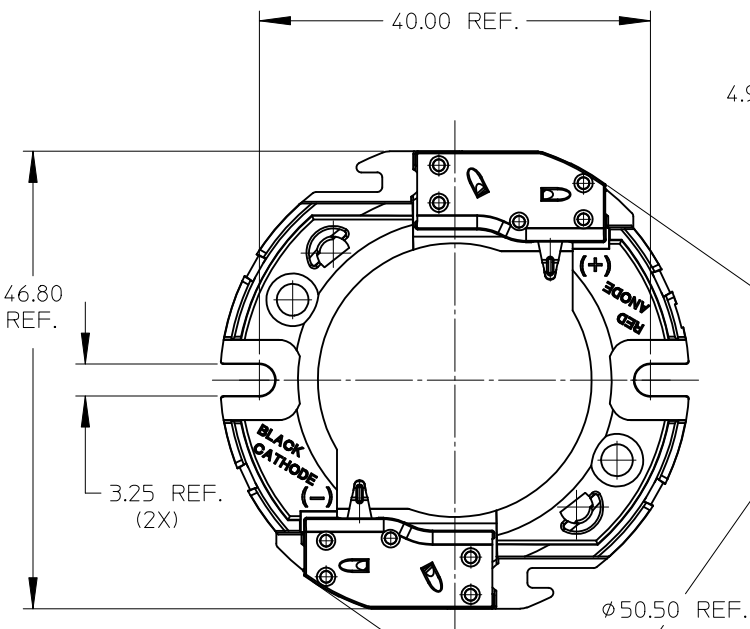
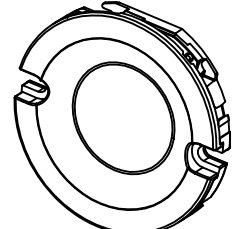
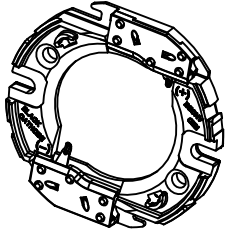
E

D

C

B

A



LED HOLDER PART NUMBER 180190-0000

LED HOLDER SHOWN WITH OPTIONAL CLEAR COVER LENS
MOLEX INDIVIDUAL COVER LENS PART NUMBER IS 180192-0000

ENTER DESCRIPTION EC NO: SSL2012-0008 DRAWN: JAKLIC 2011/08/02 CHKD: APPR: DMCGOWAN 2011/08/05 REV	QUALITY SYMBOLS F/0 F/0 F/0	GENERAL TOLERANCES (UNLESS SPECIFIED) mm INCH 4 PLACES ± --- ± --- 3 PLACES ± --- ± --- 2 PLACES ± 0.13 ± --- 1 PLACE ± 0.25 ± --- ANGULAR ± 1/2°	DIMENSION STYLE MM ONLY DRAWN BY DATE FJAKLIC 2011/01/28 CHECKED BY DATE	SCALE 2:1 TITLE CITIZEN L-340 LED HOLDER	DESIGN UNITS METRIC THIRD ANGLE PROJECTION	
	DRAFT WHERE APPLICABLE MUST REMAIN WITHIN DIMENSIONS		APPROVED BY DATE DMCGOWAN 2011/02/18	MOLEX INCORPORATED DOCUMENT NO. SD-180190-001	SHEET NO. 3 OF 3	
	SEE CHART			THIS DRAWING CONTAINS INFORMATION THAT IS PROPRIETARY TO MOLEX INCORPORATED AND SHOULD NOT BE USED WITHOUT WRITTEN PERMISSION		
	MILEX					

9 8 7 6 5 4 3 2 1