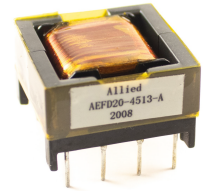




EFD20 Output Inductor

AEFD20-4513-A



- EFD20 Through Hole Design
- High Frequency
- Operating Temperature Range: -40°C to +130°C

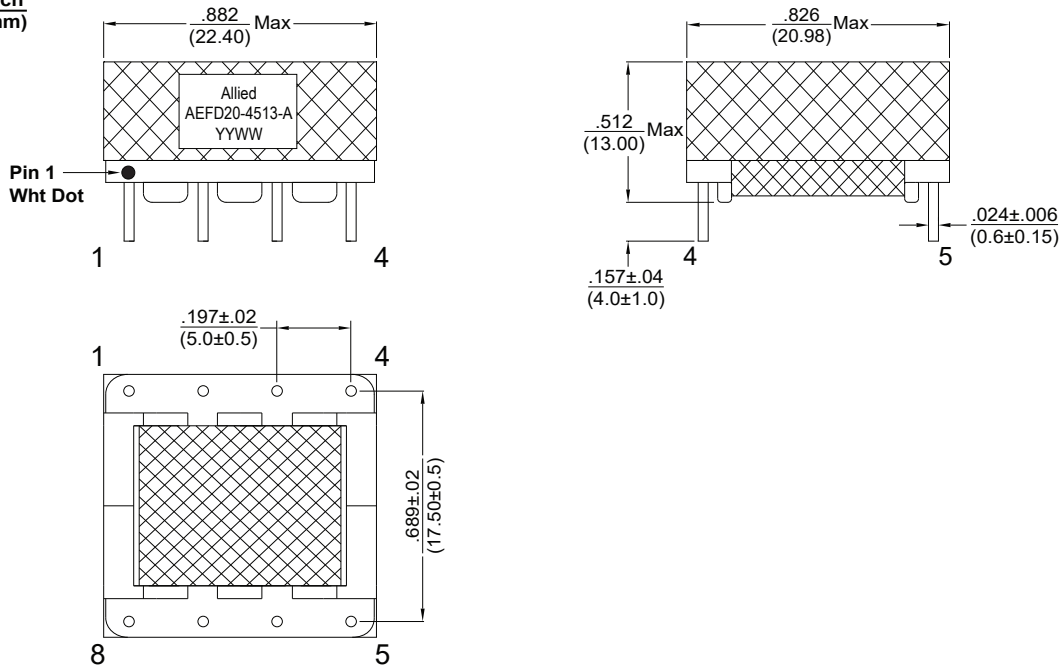
Electrical Specifications @ 25°C

Inductance @10KHz, .02V (7,8 - 5,6)	Leakage @ 100KHz, .02V (7,8 - 5,6) (short 2, 3)	DCR (7,8 - 5,6) Max	DCR (2 - 3) Max	Turns Ratio @ 15.75KHz, 1.0V (7,8-5,6) : (2-3)	Hi Pot 1mA, 1Sec	
					Pri - Sec	Coil - Core
10.6µH (±7%)	1.5µH Max	15mΩ	480mΩ	1 : 1 ±3%	1650VAC	600VAC

All specifications subject to change without notice.

MECHANICAL

DIMENSIONS: $\frac{\text{inch}}{\text{mm}}$



SCHEMATICS

