



Electrical specifications

Center Frequency: 915 MHz
3dB Bandwidth: 15 MHz min
Bandwidth: 908.5 ~ 921.5 MHz
Insertion Loss: 3.0 dB max
Ripple: 3.0 dB max
VSWR: 1.5 : 1 dB max
Attenuation: 40 dB min at 896 MHz
Attenuation 2: 40 dB min at 934 MHz
In/Out Impedance: 50 Ω
Input power: 3 Watt max

Mechanical

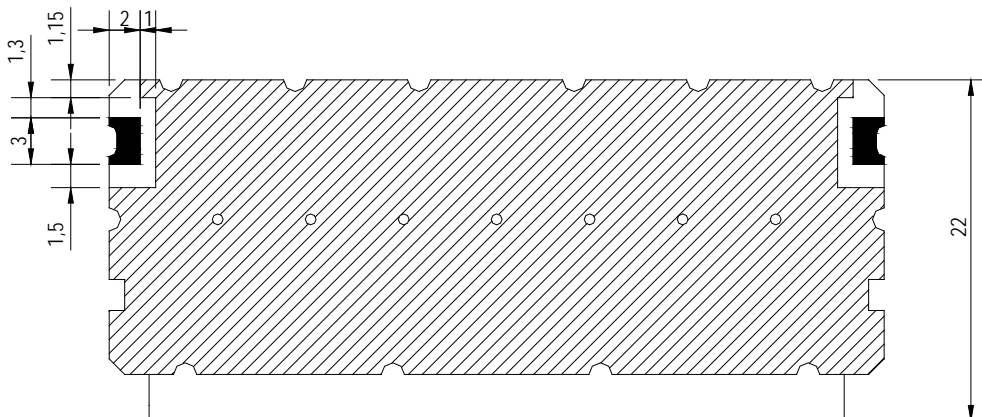
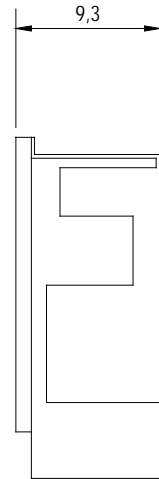
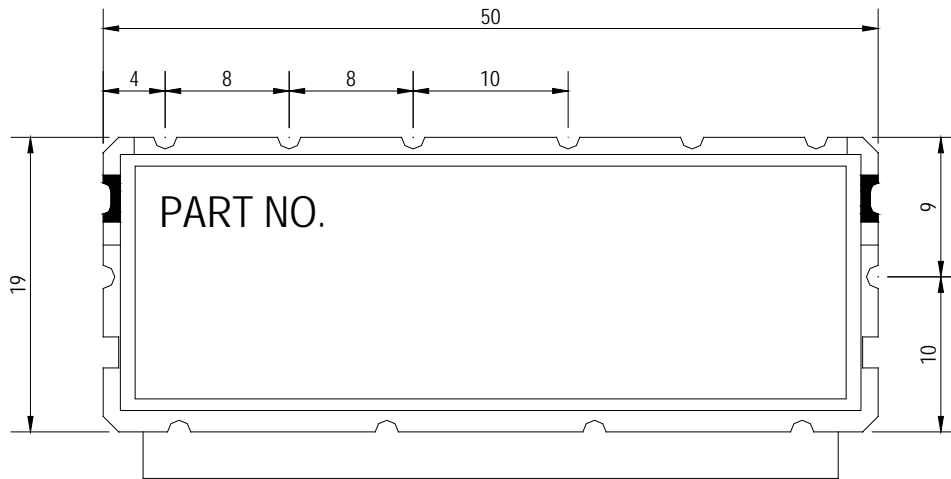
Mounting Method: SMT
Dimensions: 1.96" x 0.36" x 0.86" In.

Environmental

Operating Temperature: -20°C to 70°C
Storage Temperature: -50°C to +90°C

This product is RoHs compliant.

Outline Drawing:



■ IN/OUT PORT
 ▨ GROUND
 Unit:mm
 Tolerance: j 0.3