

- 1
- 2
- 3
- 4
- 5
- 6
- 7
- 8
- 9
- 10
- 11
- 12
- 13
- 14
- 15
- 16
- 17
- 18

MATERIAL

Glass-fibre reinforced polyamide based (PA) technopolymer, grey-black colour, matte finish.

CAP

Glass-fibre reinforced polyamide based (PA) technopolymer, in Ergostyle colours, matte finish, press-fit assembly. Available also as accessory sold separately (see table ECA.).

Code	Description	Cap for
29752-*	ECA.W2-*	EWN.48
29753-*	ECA.W3-*	EWN.55
29754-*	ECA.W4-*	EWN.70

* Complete with colour index (C1, ..., C17).

STANDARD EXECUTIONS

- **EWN-SST-p-PO:** AISI 303 stainless steel threaded stud, acetal resin (POM) pad.
- **EWN-SST-p-PB:** AISI 303 stainless steel threaded stud, brass pad.

FEATURES AND APPLICATIONS

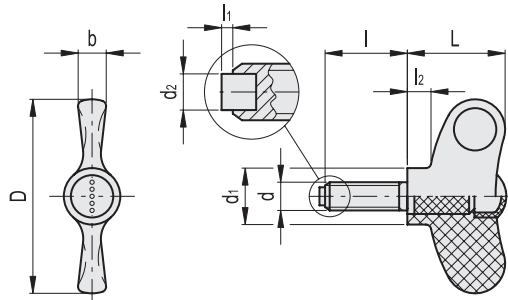
The pad avoids to damage the surface of contact even in case of strong clamping.

ERGONOMY AND DESIGN

The slightly concave marks on the wings help to position the fingers in order to apply the maximum force when tightening.



ERGOSTYLE® ELESA Original design



Conversion Table	
1 mm = 0.039 inch	
D	
mm	inch
47	1.85
55	2.16
70	2.76



* Complete with colour index, example: 224556-C2 EWN.48-SST-p-M6x20-PO-C2

- C1 RAL7021
- C2 RAL2004
- C3 RAL7035
- C4 RAL1021
- C5 RAL5024
- C6 RAL3000
- C17 RAL6017

EWN-SST-p-PO



Code	Description	D	d _{6g}	L	d ₁	d ₂	l	l ₁	l ₂	b	⚖
224556-*	EWN.48-SST-p-M6x20-PO-*	47	M6	24	13.5	4	20	1.5	5.5	7	13
224566-*	EWN.48-SST-p-M6x30-PO-*	47	M6	24	13.5	4	30	1.5	5.5	7	15
224646-*	EWN.55-SST-p-M8x20-PO-*	55	M8	28	16	5	20	1.8	6.5	8	23
224656-*	EWN.55-SST-p-M8x30-PO-*	55	M8	28	16	5	30	1.8	6.5	8	26
224676-*	EWN.70-SST-p-M10x20-PO-*	70	M10	36	20	6	20	2	8	10	41
224686-*	EWN.70-SST-p-M10x30-PO-*	70	M10	36	20	6	30	2	8	10	47

EWN-SST-p-PB



Code	Description	D	d _{6g}	L	d ₁	d ₂	l	l ₁	l ₂	b	⚖
224576-*	EWN.48-SST-p-M6x20-PB-*	47	M6	24	13.5	4	20	1.5	5.5	7	14
224586-*	EWN.48-SST-p-M6x30-PB-*	47	M6	24	13.5	4	30	1.5	5.5	7	16
224611-*	EWN.55-SST-p-M8x20-PB-*	55	M8	28	16	5	20	1.8	6.5	8	24
224666-*	EWN.55-SST-p-M8x30-PB-*	55	M8	28	16	5	30	1.8	6.5	8	27
224691-*	EWN.70-SST-p-M10x20-PB-*	70	M10	36	20	6	20	2	8	10	42
224696-*	EWN.70-SST-p-M10x30-PB-*	70	M10	36	20	6	30	2	8	10	48