

Key Features & Benefits:

- Adjustable Time Delay Via Dip Switch
- Slim, No Driver Design
- Surface Mount to Ceiling or Wall
- Compatible with 3/0 & 4/0 J-Boxes
- Triac Dimmable (120V)
- NFPA 70, NEC section 410.16, C (1) Requirements
 - Rated for closets
- PIR Motion Sensor



Project: _____ Date: _____
 Catalog #: _____
 Notes: _____

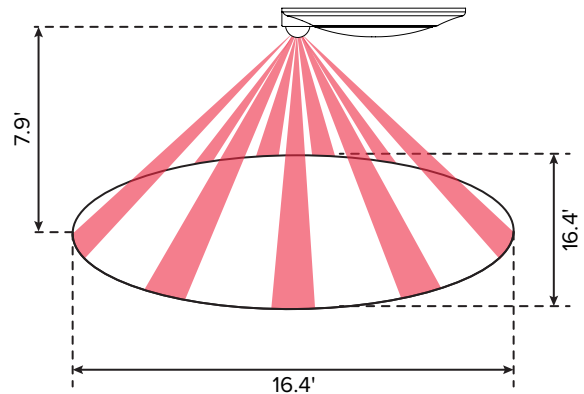


Technical Specifications:

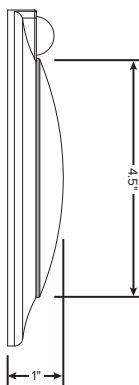
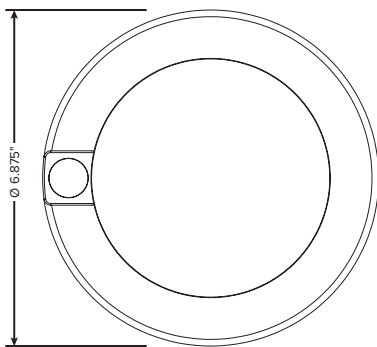
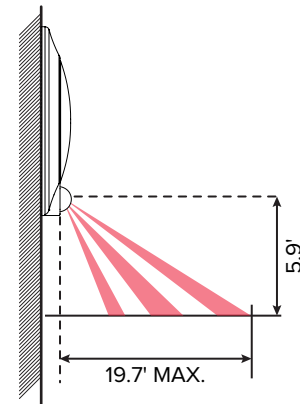
- Wattage: 10 Watts
 Input Voltage: 120 VAC
 Kelvin: 3000K, 4000K
 CRI: >80
 Beam Angle: 120°
 Lumen Output: Up to 600 Lumens
 Efficacy (lm/W): Up to 60 Lumens
 Rated Life (hrs): > 50,000 Hours
 Sensor Type: Passive Infrared
 Adjustable Time Delay: 1min / 5min / 10min
 Operating Temperature: -4°F to 122°F (-20°C to 50°C)
 Dimensions (Ø X H): 6.875" X 1"
 Weight (lbs): 0.55 lbs

Sensor Detection Range:

Ceiling Mount



Wall Mount



Ordering Guide:

| | | | | | | |
|------------|-----------------|------------|------------|--------------------|--------------------------------------|-----------------------|
| ESL | ODSK | 4 | 10W | 1 | | DA |
| ESL | TYPE | SIZE | WATTS | GENERATION | KELVIN | DELAY |
| | ODSK (Occ Disk) | 4 (4 inch) | 10W | 1 (1st Generation) | 30 (3000 Kelvin) 40 (4000 Kelvin) | DA (Adjustable Delay) |

Catalog Data:

| ITEM# | WATTS | LUMEN OUTPUT | EFFICACY (lm/W) | KELVIN |
|-----------------------|-------|--------------|-----------------|--------|
| ESL-ODSK-4-10W-130-DA | 10W | 600 | 60 | 3000K |
| ESL-ODSK-4-10W-140-DA | 10W | 600 | 60 | 4000K |

Installation:

