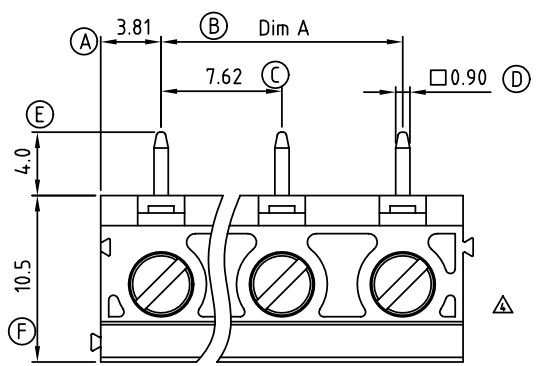


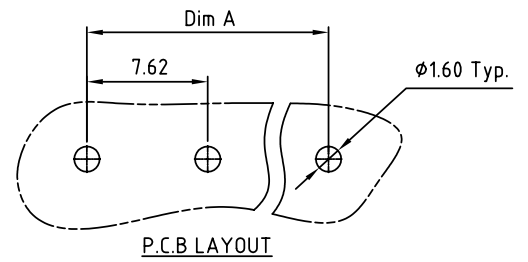
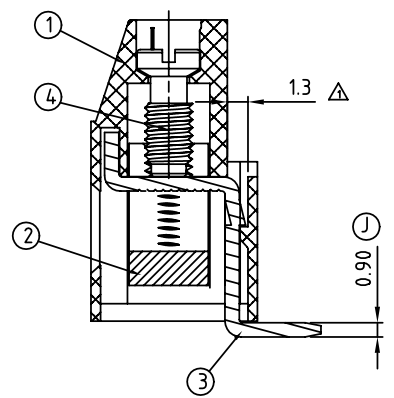
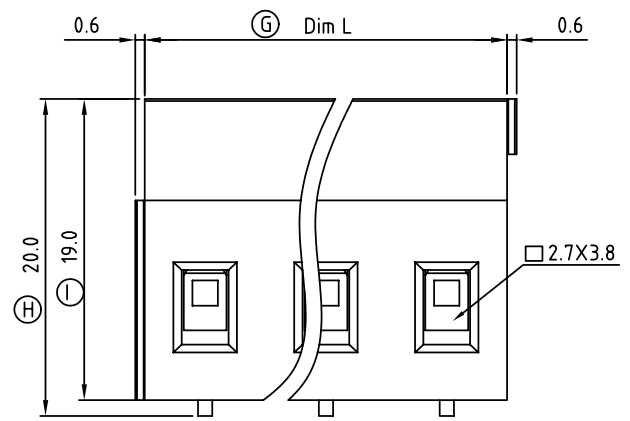
1 2 3 4 5 6 7



DIMENSION

Dim L	N×7.62	Poles	Tolerance
Dim A	(N-1)×7.62	2p-6p	±0.15
		7p-12p	±0.25
		13p-16p	±0.35

N=Number of contacts



SIGN	DATE	DESCRIPTION	APPROVER
△	3/22'06	Hole size changed from 0.5mm to 1.3mm	Tony
△	01/12 07	Soldering temperature changed from 245° to 250°	Tason
△	01/12 07	Part NO is Changed	Tason
△	5/30 08	Body is Changed	Marvin
△	5/30 08	Operating temperature is Changed	Marvin
△	10/26'09	Wire guard solder pin is Changed from Brass to Copper	Aaron
△	11/09'10	Add is " VDE "	Aaron

THIS IS CAD DRAWING, DO NOT REVISE MANUALLY!!!

- Material:
- Item 1 Terminal housing:Thermoplastic (UL 94V-0)
  - Item 2 Clamp: Brass Ni plated
  - △ ● Item 3 Wire guard solder pin:Copper Tin plated
  - Item 4 Terminal screw: Steel Zinc plating"-slot type
- △ Electrical cULus VDE
- Voltage rating: 300VAC 750V
  - Current rating: 20A 24A
  - Wire range : 0.2-2.5mm<sup>2</sup>
  - Solid wire(AWG): 12-30
  - Stranded wire(AWG): 12-30
  - Torque(Lb-In): 3.5 0.5 N.m
  - Screw: M3
  - Wire strip length: 6-7mm
  - Withstanding Voltage: 1.6KV 3KV
  - △ ● Operating temperature: -40°C to +115°C
  - △ ● Soldering temperature: 250°C±10°C/5 Sec
  - Safety Approval:

△ VJ xx 61 x 0 xxxx G

RoHS Pb<40,000ppm

No. of poles end stackable design	Color (RAL)	Logo
0	Black (RAL9005)	000:"@Logo (Standard)
2	Red (RAL3001/D)	000A:"ANYTEK"Logo
02 2 CONTACTS	3 Orange(RAL2011/P)	Any special item by customer request, please contact sales department.
03 3 CONTACTS	4 Yellow(RAL1018/A)	
...	5 Green(RAL6018/T)	
...	6 Blue (RAL5015/A)	
16 16 CONTACTS	8 Grey(RAL7035/D)	

ANYTEK

**CUSTOMER COPY**

ALL RIGHTS RESERVED. REPRODUCTION OR ISSUE TO THIRD PARTIES IN ANY FORM WHATSOEVER IS NOT PERMITTED WITHOUT WRITTEN AUTHORITY FROM THE PROPRIETOR. PROPERTY OF ANYTEK TECHNOLOGY CO., LTD

TITLE		VJ-7.62 Series 2P-16P Vertical ( 90D wire inlet )				
PART NO.		VJxx61x0xxxxG		DWG NO.		8VJ0302
APPROVED	CHECKED	DESIGNED	DRAWN	CUST NO.		
		Aaron 2010.11.09	Aaron 2008.10.26			
					UNIT: mm	Tolerance
					SCALE: NONE	X. ±0.50
				SHEET: 01/01	REV.: H	X.X ±0.30
						X.XX ±0.10
						X* ±1*

1 2 3 4 5 6 7