

# MPC7448

## RISC Microprocessor

### Hardware Specifications

This document is primarily concerned with the MPC7448, which is targeted at networking and computing systems applications. This document describes pertinent electrical and physical characteristics of the MPC7448. For information regarding specific MPC7448 part numbers covered by this document and part numbers covered by other documents, refer to [Section 11, “Part Numbering and Marking.”](#) For functional characteristics of the processor, refer to the *MPC7450 RISC Microprocessor Family Reference Manual*.

To locate any published updates for this document, refer to the website listed on the back cover of this document.

#### Contents

1. Overview .....	1
2. Features .....	3
3. Comparison with the MPC7447A, MPC7447, MPC7445, and MPC7441 .....	7
4. General Parameters .....	9
5. Electrical and Thermal Characteristics .....	9
6. Pin Assignments .....	24
7. Pinout Listings .....	25
8. Package Description .....	29
9. System Design Information .....	35
10. Document Revision History .....	55
11. Part Numbering and Marking .....	57

## 1 Overview

The MPC7448 is the sixth implementation of fourth-generation (G4) microprocessors from Freescale. The MPC7448, built on Power Architecture™ technology, implements the PowerPC™ instruction set architecture version 1.0 and is targeted at networking and computing systems applications. The MPC7448 consists of a processor core and a 1-Mbyte L2.

[Figure 1](#) shows a block diagram of the MPC7448. The core is a high-performance superscalar design supporting a double-precision floating-point unit and a SIMD multimedia unit. The memory storage subsystem supports the MPX bus protocol and a subset of the 60x bus protocol to main memory and other system resources.

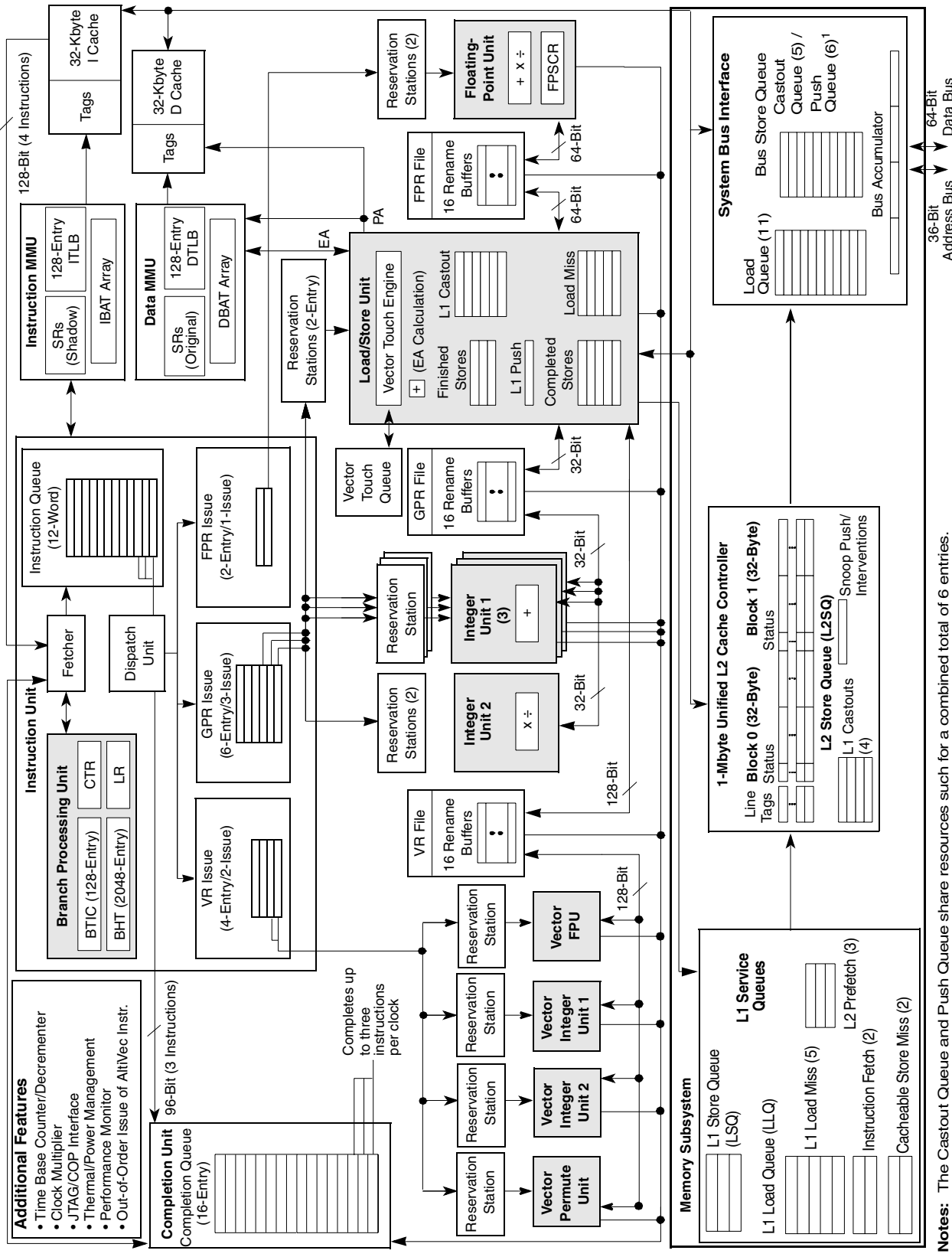


Figure 1. MPC7448 Block Diagram

## 2 Features

This section summarizes features of the MPC7448 implementation.

Major features of the MPC7448 are as follows:

- High-performance, superscalar microprocessor
  - Up to four instructions can be fetched from the instruction cache at a time.
  - Up to three instructions plus a branch instruction can be dispatched to the issue queues at a time.
  - Up to 12 instructions can be in the instruction queue (IQ).
  - Up to 16 instructions can be at some stage of execution simultaneously.
  - Single-cycle execution for most instructions
  - One instruction per clock cycle throughput for most instructions
  - Seven-stage pipeline control
- Eleven independent execution units and three register files
  - Branch processing unit (BPU) features static and dynamic branch prediction
    - 128-entry (32-set, four-way set-associative) branch target instruction cache (BTIC), a cache of branch instructions that have been encountered in branch/loop code sequences. If a target instruction is in the BTIC, it is fetched into the instruction queue a cycle sooner than it can be made available from the instruction cache. Typically, a fetch that hits the BTIC provides the first four instructions in the target stream.
    - 2048-entry branch history table (BHT) with 2 bits per entry for four levels of prediction—not taken, strongly not taken, taken, and strongly taken
    - Up to three outstanding speculative branches
    - Branch instructions that do not update the count register (CTR) or link register (LR) are often removed from the instruction stream.
    - Eight-entry link register stack to predict the target address of Branch Conditional to Link Register (**bclr**) instructions
  - Four integer units (IUs) that share 32 GPRs for integer operands
    - Three identical IUs (IU1a, IU1b, and IU1c) can execute all integer instructions except multiply, divide, and move to/from special-purpose register instructions.
    - IU2 executes miscellaneous instructions, including the CR logical operations, integer multiplication and division instructions, and move to/from special-purpose register instructions.
  - Five-stage FPU and 32-entry FPR file
    - Fully IEEE Std. 754™-1985-compliant FPU for both single- and double-precision operations
    - Supports non-IEEE mode for time-critical operations
    - Hardware support for denormalized numbers
    - Thirty-two 64-bit FPRs for single- or double-precision operands

- Four vector units and 32-entry vector register file (VRs)
  - Vector permute unit (VPU)
  - Vector integer unit 1 (VIU1) handles short-latency AltiVec™ integer instructions, such as vector add instructions (for example, **vaddsbs**, **vaddshs**, and **vaddsws**).
  - Vector integer unit 2 (VIU2) handles longer-latency AltiVec integer instructions, such as vector multiply add instructions (for example, **vmhaddshs**, **vmhraddshs**, and **vmladduhm**).
  - Vector floating-point unit (VFPU)
- Three-stage load/store unit (LSU)
  - Supports integer, floating-point, and vector instruction load/store traffic
  - Four-entry vector touch queue (VTQ) supports all four architected AltiVec data stream operations
  - Three-cycle GPR and AltiVec load latency (byte, half word, word, vector) with one-cycle throughput
  - Four-cycle FPR load latency (single, double) with one-cycle throughput
  - No additional delay for misaligned access within double-word boundary
  - A dedicated adder calculates effective addresses (EAs).
  - Supports store gathering
  - Performs alignment, normalization, and precision conversion for floating-point data
  - Executes cache control and TLB instructions
  - Performs alignment, zero padding, and sign extension for integer data
  - Supports hits under misses (multiple outstanding misses)
  - Supports both big- and little-endian modes, including misaligned little-endian accesses
- Three issue queues, FIQ, VIQ, and GIQ, can accept as many as one, two, and three instructions, respectively, in a cycle. Instruction dispatch requires the following:
  - Instructions can only be dispatched from the three lowest IQ entries—IQ0, IQ1, and IQ2.
  - A maximum of three instructions can be dispatched to the issue queues per clock cycle.
  - Space must be available in the CQ for an instruction to dispatch (this includes instructions that are assigned a space in the CQ but not in an issue queue).
- Rename buffers
  - 16 GPR rename buffers
  - 16 FPR rename buffers
  - 16 VR rename buffers
- Dispatch unit
  - Decode/dispatch stage fully decodes each instruction
- Completion unit
  - Retires an instruction from the 16-entry completion queue (CQ) when all instructions ahead of it have been completed, the instruction has finished executing, and no exceptions are pending
  - Guarantees sequential programming model (precise exception model)

- Monitors all dispatched instructions and retires them in order
- Tracks unresolved branches and flushes instructions after a mispredicted branch
- Retires as many as three instructions per clock cycle
- Separate on-chip L1 instruction and data caches (Harvard architecture)
  - 32-Kbyte, eight-way set-associative instruction and data caches
  - Pseudo least-recently-used (PLRU) replacement algorithm
  - 32-byte (eight-word) L1 cache block
  - Physically indexed/physical tags
  - Cache write-back or write-through operation programmable on a per-page or per-block basis
  - Instruction cache can provide four instructions per clock cycle; data cache can provide four words per clock cycle
  - Caches can be disabled in software.
  - Caches can be locked in software.
  - MESI data cache coherency maintained in hardware
  - Separate copy of data cache tags for efficient snooping
  - Parity support on cache
  - No snooping of instruction cache except for **icbi** instruction
  - Data cache supports AltiVec LRU and transient instructions
  - Critical double- and/or quad-word forwarding is performed as needed. Critical quad-word forwarding is used for AltiVec loads and instruction fetches. Other accesses use critical double-word forwarding.
- Level 2 (L2) cache interface
  - On-chip, 1-Mbyte, eight-way set-associative unified instruction and data cache
  - Cache write-back or write-through operation programmable on a per-page or per-block basis
  - Parity support on cache tags
  - ECC or parity support on data
  - Error injection allows testing of error recovery software
- Separate memory management units (MMUs) for instructions and data
  - 52-bit virtual address, 32- or 36-bit physical address
  - Address translation for 4-Kbyte pages, variable-sized blocks, and 256-Mbyte segments
  - Memory programmable as write-back/write-through, caching-inhibited/caching-allowed, and memory coherency enforced/memory coherency not enforced on a page or block basis
  - Separate IBATs and DBATs (eight each) also defined as SPRs
  - Separate instruction and data translation lookaside buffers (TLBs)
    - Both TLBs are 128-entry, two-way set-associative and use an LRU replacement algorithm.
    - TLBs are hardware- or software-reloadable (that is, a page table search is performed in hardware or by system software on a TLB miss).

- Efficient data flow
  - Although the VR/LSU interface is 128 bits, the L1/L2 bus interface allows up to 256 bits.
  - The L1 data cache is fully pipelined to provide 128 bits/cycle to or from the VRs.
  - The L2 cache is fully pipelined to provide 32 bytes per clock every other cycle to the L1 caches.
  - As many as 16 out-of-order transactions can be present on the MPX bus.
  - Store merging for multiple store misses to the same line. Only coherency action taken (address-only) for store misses merged to all 32 bytes of a cache block (no data tenure needed).
  - Three-entry finished store queue and five-entry completed store queue between the LSU and the L1 data cache
  - Separate additional queues for efficient buffering of outbound data (such as castouts and write-through stores) from the L1 data cache and L2 cache
- Multiprocessing support features include the following:
  - Hardware-enforced, MESI cache coherency protocols for data cache
  - Load/store with reservation instruction pair for atomic memory references, semaphores, and other multiprocessor operations
- Power and thermal management
  - Dynamic frequency switching (DFS) feature allows processor core frequency to be halved or quartered through software to reduce power consumption.
  - The following three power-saving modes are available to the system:
    - Nap—Instruction fetching is halted. Only the clocks for the time base, decremter, and JTAG logic remain running. The part goes into the doze state to snoop memory operations on the bus and then back to nap using a QREQ/QACK processor-system handshake protocol.
    - Sleep—Power consumption is further reduced by disabling bus snooping, leaving only the PLL in a locked and running state. All internal functional units are disabled.
    - Deep sleep—When the part is in the sleep state, the system can disable the PLL. The system can then disable the SYSCLK source for greater system power savings. Power-on reset procedures for restarting and relocking the PLL must be followed upon exiting the deep sleep state.
  - Instruction cache throttling provides control of instruction fetching to limit device temperature.
  - A new temperature diode that can determine the temperature of the microprocessor
- Performance monitor can be used to help debug system designs and improve software efficiency.
- In-system testability and debugging features through JTAG boundary-scan capability
- Testability
  - LSSD scan design
  - IEEE Std. 1149.1™ JTAG interface

- Reliability and serviceability
  - Parity checking on system bus
  - Parity checking on the L1 caches and L2 data tags
  - ECC or parity checking on L2 data

### 3 Comparison with the MPC7447A, MPC7447, MPC7445, and MPC7441

Table 1 compares the key features of the MPC7448 with the key features of the earlier MPC7447A, MPC7447, MPC7445, and MPC7441. All are based on the MPC7450 RISC microprocessor and are architecturally very similar. The MPC7448 is identical to the MPC7447A, but the MPC7448 supports 1 Mbyte of L2 cache with ECC and the use of dynamic frequency switching (DFS) with more bus-to-core ratios.

**Table 1. Microarchitecture Comparison**

Microarchitectural Specs	MPC7448	MPC7447A	MPC7447	MPC7445	MPC7441
<b>Basic Pipeline Functions</b>					
Logic inversions per cycle			18		
Pipeline stages up to execute			5		
Total pipeline stages (minimum)			7		
Pipeline maximum instruction throughput			3 + branch		
<b>Pipeline Resources</b>					
Instruction buffer size			12		
Completion buffer size			16		
Renames (integer, float, vector)			16, 16, 16		
<b>Maximum Execution Throughput</b>					
SFX			3		
Vector			2 (any 2 of 4 units)		
Scalar floating-point			1		
<b>Out-of-Order Window Size in Execution Queues</b>					
SFX integer units			1 entry × 3 queues		
Vector units			In order, 4 queues		
Scalar floating-point unit			In order		
<b>Branch Processing Resources</b>					
Prediction structures			BTIC, BHT, link stack		
BTIC size, associativity			128-entry, 4-way		
BHT size			2K-entry		
Link stack depth			8		
Unresolved branches supported			3		
Branch taken penalty (BTIC hit)			1		
Minimum misprediction penalty			6		

**Table 1. Microarchitecture Comparison (continued)**

Microarchitectural Specs	MPC7448	MPC7447A	MPC7447	MPC7445	MPC7441
<b>Execution Unit Timings (Latency-Throughput)</b>					
Aligned load (integer, float, vector)	3-1, 4-1, 3-1				
Misaligned load (integer, float, vector)	4-2, 5-2, 4-2				
L1 miss, L2 hit latency with ECC (data/instruction)	12/16	—			
L1 miss, L2 hit latency without ECC (data/instruction)	11/15	9/13			
SFX (add, sub, shift, rot, cmp, logicals)	1-1				
Integer multiply (32 × 8, 32 × 16, 32 × 32)	4-1, 4-1, 5-2				
Scalar float	5-1				
VSFX (vector simple)	1-1				
VCFX (vector complex)	4-1				
VFPU (vector float)	4-1				
VPER (vector permute)	2-1				
<b>MMUs</b>					
TLBs (instruction and data)	128-entry, 2-way				
Tablewalk mechanism	Hardware + software				
Instruction BATs/data BATs	8/8	8/8	8/8	8/8	4/4
<b>L1 I Cache/D Cache Features</b>					
Size	32K/32K				
Associativity	8-way				
Locking granularity	Way				
Parity on I cache	Word				
Parity on D cache	Byte				
Number of D cache misses (load/store)	5/2	5/1			
Data stream touch engines	4 streams				
<b>On-Chip Cache Features</b>					
Cache level	L2				
Size/associativity	1-Mbyte/ 8-way	512-Kbyte/8-way		256-Kbyte/8-way	
Access width	256 bits				
Number of 32-byte sectors/line	2	2			
Parity tag	Byte	Byte			
Parity data	Byte	Byte			
Data ECC	64-bit	—			
<b>Thermal Control</b>					
Dynamic frequency switching divide-by-two mode	Yes	Yes	No	No	No
Dynamic frequency switching divide-by-four mode	Yes	No	No	No	No
Thermal diode	Yes	Yes	No	No	No



## 4 General Parameters

The following list summarizes the general parameters of the MPC7448:

Technology	90 nm CMOS SOI, nine-layer metal	
Die size	8.0 mm × 7.3 mm	
Transistor count	90 million	
Logic design	Mixed static and dynamic	
Packages	Surface mount 360 ceramic ball grid array (HCTE)	
	Surface mount 360 ceramic land grid array (HCTE)	
	Surface mount 360 ceramic ball grid array with lead-free spheres (HCTE)	
Core power supply	1.30 V	(1700 MHz device)
	1.25 V	(1600 MHz device)
	1.20 V	(1420 MHz device)
	1.15 V	(1000 MHz device)
I/O power supply	1.5 V, 1.8 V, or 2.5 V	

## 5 Electrical and Thermal Characteristics

This section provides the AC and DC electrical specifications and thermal characteristics for the MPC7448.

### 5.1 DC Electrical Characteristics

The tables in this section describe the MPC7448 DC electrical characteristics. [Table 2](#) provides the absolute maximum ratings. See [Section 9.2, “Power Supply Design and Sequencing,”](#) for power sequencing requirements.

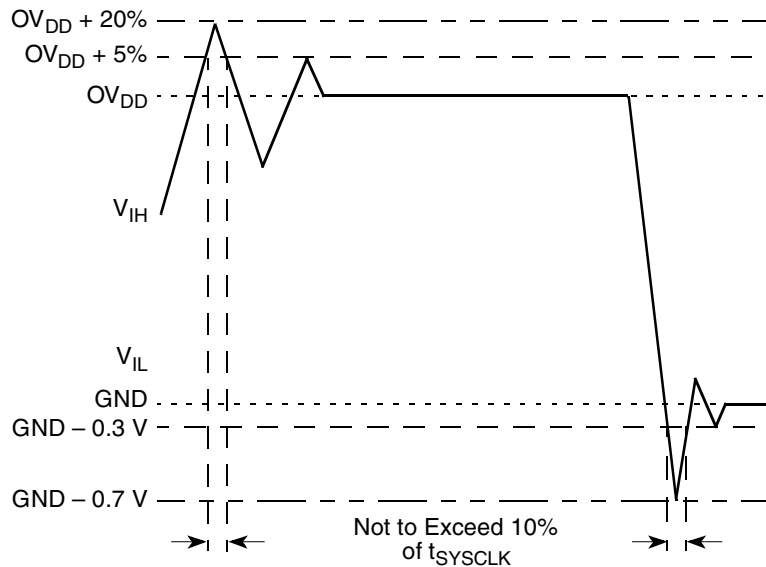
**Table 2. Absolute Maximum Ratings**<sup>1</sup>

Characteristic		Symbol	Maximum Value	Unit	Notes
Core supply voltage		$V_{DD}$	-0.3 to 1.4	V	2
PLL supply voltage		$AV_{DD}$	-0.3 to 1.4	V	2
Processor bus supply voltage	I/O Voltage Mode = 1.5 V	$OV_{DD}$	-0.3 to 1.8	V	3
	I/O Voltage Mode = 1.8 V		-0.3 to 2.2		3
	I/O Voltage Mode = 2.5 V		-0.3 to 3.0		3
Input voltage	Processor bus	$V_{in}$	-0.3 to $OV_{DD} + 0.3$	V	4
	JTAG signals	$V_{in}$	-0.3 to $OV_{DD} + 0.3$	V	
Storage temperature range		$T_{stg}$	- 55 to 150	•C	

**Notes:**

1. Functional and tested operating conditions are given in [Table 4](#). Absolute maximum ratings are stress ratings only and functional operation at the maximums is not guaranteed. Stresses beyond those listed may affect device reliability or cause permanent damage to the device.
2. See [Section 9.2, “Power Supply Design and Sequencing”](#) for power sequencing requirements.
3. Bus must be configured in the corresponding I/O voltage mode; see [Table 3](#).
4. **Caution:**  $V_{in}$  must not exceed  $OV_{DD}$  by more than 0.3 V at any time including during power-on reset except as allowed by the overshoot specifications.  $V_{in}$  may overshoot/undershoot to a voltage and for a maximum duration as shown in [Figure 2](#).

Figure 2 shows the overshoot and undershoot voltage on the MPC7448.



**Figure 2. Overshoot/Undershoot Voltage**

The MPC7448 provides several I/O voltages to support both compatibility with existing systems and migration to future systems. The MPC7448 core voltage must always be provided at the nominal voltage (see Table 4). The input voltage threshold for each bus is selected by sampling the state of the voltage select pins at the negation of the signal  $\overline{HRESET}$ . The output voltage will swing from GND to the maximum voltage applied to the  $OV_{DD}$  power pins. Table 3 provides the input threshold voltage settings. Because these settings may change in future products, it is recommended that BVSEL[0:1] be configured using resistor options, jumpers, or some other flexible means, with the capability to reconfigure the termination of this signal in the future, if necessary.

**Table 3. Input Threshold Voltage Setting**

BVSEL0	BVSEL1	I/O Voltage Mode <sup>1</sup>	Notes
0	0	1.8 V	2, 3
0	1	2.5 V	2, 4
1	0	1.5 V	2
1	1	2.5 V	4

**Notes:**

- Caution:** The I/O voltage mode selected must agree with the  $OV_{DD}$  voltages supplied. See Table 4.
- If used, pull-down resistors should be less than 250  $\Omega$ .
- The pin configuration used to select 1.8V mode on the MPC7448 is not compatible with the pin configuration used to select 1.8V mode on the MPC7447A and earlier devices.
- The pin configuration used to select 2.5V mode on the MPC7448 is fully compatible with the pin configuration used to select 2.5V mode on the MPC7447A and earlier devices.

Table 4 provides the recommended operating conditions for the MPC7448 part numbers described by this document; see Section 11.1, “Part Numbers Fully Addressed by This Document,” for more information. See Section 9.2, “Power Supply Design and Sequencing” for power sequencing requirements.

**Table 4. Recommended Operating Conditions<sup>1</sup>**

Characteristic		Symbol	Recommended Value								Unit	Notes
			1000 MHz		1420 MHz		1600 MHz		1700 MHz			
			Min	Max	Min	Max	Min	Max	Min	Max		
Core supply voltage		$V_{DD}$	1.15 V $\pm$ 50 mV		1.2 V $\pm$ 50 mV		1.25 V $\pm$ 50 mV		1.3 V +20/ – 50 mV		V	3, 4, 5
PLL supply voltage		$AV_{DD}$	1.15 V $\pm$ 50 mV		1.2 V $\pm$ 50 mV		1.25 V $\pm$ 50 mV		1.3 V +20/ – 50 mV		V	2, 3, 4
Processor bus supply voltage	I/O Voltage Mode = 1.5 V	$OV_{DD}$	1.5 V $\pm$ 5%		1.5 V $\pm$ 5%		1.5 V $\pm$ 5%		1.5 V $\pm$ 5%		V	4
	I/O Voltage Mode = 1.8 V		1.8 V $\pm$ 5%		1.8 V $\pm$ 5%		1.8 V $\pm$ 5%		1.8 V $\pm$ 5%			4
	I/O Voltage Mode = 2.5 V		2.5 V $\pm$ 5%		2.5 V $\pm$ 5%		2.5 V $\pm$ 5%		2.5 V $\pm$ 5%			4
Input voltage	Processor bus	$V_{in}$	GND	$OV_{DD}$	GND	$OV_{DD}$	GND	$OV_{DD}$	GND	$OV_{DD}$	V	
	JTAG signals	$V_{in}$	GND	$OV_{DD}$	GND	$OV_{DD}$	GND	$OV_{DD}$	GND	$OV_{DD}$		
Die-junction temperature		$T_j$	0	105	0	105	0	105	0	105	•C	6

**Notes:**

1. These are the recommended and tested operating conditions.
2. This voltage is the input to the filter discussed in Section 9.2.2, “PLL Power Supply Filtering,” and not necessarily the voltage at the  $AV_{DD}$  pin, which may be reduced from  $V_{DD}$  by the filter.
3. Some early devices supported voltage and frequency derating whereby  $V_{DD}$  (and  $AV_{DD}$ ) could be reduced to reduce power consumption. This feature has been superseded and is no longer supported. See Section 5.3, “Voltage and Frequency Derating,” for more information.
4. **Caution:** Power sequencing requirements must be met; see Section 9.2, “Power Supply Design and Sequencing”.
5. **Caution:** See Section 9.2.3, “Transient Specifications” for information regarding transients on this power supply.
6. For information on extended temperature devices, see Section 11.2, “Part Numbers Not Fully Addressed by This Document.”

Table 5 provides the package thermal characteristics for the MPC7448. For more information regarding thermal management, see Section 9.7, “Power and Thermal Management Information.”

**Table 5. Package Thermal Characteristics<sup>1</sup>**

Characteristic	Symbol	Value	Unit	Notes
Junction-to-ambient thermal resistance, natural convection, single-layer (1s) board	$R_{\theta JA}$	26	•C/W	2, 3
Junction-to-ambient thermal resistance, natural convection, four-layer (2s2p) board	$R_{\theta JMA}$	19	•C/W	2, 4
Junction-to-ambient thermal resistance, 200 ft/min airflow, single-layer (1s) board	$R_{\theta JMA}$	22	•C/W	2, 4
Junction-to-ambient thermal resistance, 200 ft/min airflow, four-layer (2s2p) board	$R_{\theta JMA}$	16	•C/W	2, 4
Junction-to-board thermal resistance	$R_{\theta JB}$	11	•C/W	5
Junction-to-case thermal resistance	$R_{\theta JC}$	< 0.1	•C/W	6

**Notes:**

1. Refer to Section 9.7, “Power and Thermal Management Information,” for details about thermal management.
2. Junction temperature is a function of on-chip power dissipation, package thermal resistance, mounting site (board) temperature, ambient temperature, airflow, power dissipation of other components on the board, and board thermal resistance.
3. Per JEDEC JESD51-2 with the single-layer board horizontal
4. Per JEDEC JESD51-6 with the board horizontal
5. Thermal resistance between the die and the printed-circuit board per JEDEC JESD51-8. Board temperature is measured on the top surface of the board near the package.
6. This is the thermal resistance between die and case top surface as measured by the cold plate method (MIL SPEC-883 Method 1012.1) with the calculated case temperature. The actual value of  $R_{\theta JC}$  for the part is less than 0.1°C/W.

Table 6 provides the DC electrical characteristics for the MPC7448.

**Table 6. DC Electrical Specifications**

At recommended operating conditions. See Table 4.

Characteristic	Nominal Bus Voltage <sup>1</sup>	Symbol	Min	Max	Unit	Notes
Input high voltage (all inputs)	1.5	$V_{IH}$	$OV_{DD} \times 0.65$	$OV_{DD} + 0.3$	V	2
	1.8		$OV_{DD} \times 0.65$	$OV_{DD} + 0.3$		
	2.5		1.7	$OV_{DD} + 0.3$		
Input low voltage (all inputs)	1.5	$V_{IL}$	-0.3	$OV_{DD} \times 0.35$	V	2
	1.8		-0.3	$OV_{DD} \times 0.35$		
	2.5		-0.3	0.7		
Input leakage current, all signals except BVSELO, LSSD_MODE, TCK, TDI, TMS, TRST: $V_{in} = OV_{DD}$ $V_{in} = GND$	—	$I_{in}$	—	50 - 50	μA	2, 3
Input leakage current, BVSELO, LSSD_MODE, TCK, TDI, TMS, TRST: $V_{in} = OV_{DD}$ $V_{in} = GND$	—	$I_{in}$	—	50 - 2000	μA	2, 6

**Table 6. DC Electrical Specifications (continued)**

 At recommended operating conditions. See [Table 4](#).

Characteristic		Nominal Bus Voltage <sup>1</sup>	Symbol	Min	Max	Unit	Notes
High-impedance (off-state) leakage current: $V_{in} = OV_{DD}$ $V_{in} = GND$		—	$I_{TSI}$	—	50 – 50	$\mu A$	2, 3, 4
Output high voltage @ $I_{OH} = -5$ mA		1.5	$V_{OH}$	$OV_{DD} - 0.45$	—	V	
		1.8		$OV_{DD} - 0.45$	—		
		2.5		1.8	—		
Output low voltage @ $I_{OL} = 5$ mA		1.5	$V_{OL}$	—	0.45	V	
		1.8		—	0.45		
		2.5		—	0.6		
Capacitance, $V_{in} = 0$ V, $f = 1$ MHz	All inputs		$C_{in}$	—	8.0	pF	5

**Notes:**

1. Nominal voltages; see [Table 4](#) for recommended operating conditions.
2. All I/O signals are referenced to  $OV_{DD}$ .
3. Excludes test signals and IEEE Std. 1149.1 boundary scan (JTAG) signals
4. The leakage is measured for nominal  $OV_{DD}$  and  $V_{DD}$ , or both  $OV_{DD}$  and  $V_{DD}$  must vary in the same direction (for example, both  $OV_{DD}$  and  $V_{DD}$  vary by either +5% or –5%).
5. Capacitance is periodically sampled rather than 100% tested.
6. These pins have internal pull-up resistors.

[Table 7](#) provides the power consumption for the MPC7448 part numbers described by this document; see [Section 11.1, “Part Numbers Fully Addressed by This Document,”](#) for information regarding which part numbers are described by this document. Freescale also offers MPC7448 part numbers that meet lower power consumption specifications by adhering to lower core voltage and core frequency specifications. For more information on these devices, including references to the MPC7448 Hardware Specification Addenda that describe these devices, see [Section 11.2, “Part Numbers Not Fully Addressed by This Document.”](#)

The power consumptions provided in [Table 7](#) represent the power consumption of each speed grade when operated at the rated maximum core frequency (see [Table 8](#)). Freescale sorts devices by power as well as by core frequency, and power limits for each speed grade are independent of each other. Each device is tested at its maximum core frequency only. (Note that Deep Sleep Mode power consumption is independent of clock frequency.) Operating a device at a frequency lower than its rated maximum is fully supported provided the clock frequencies are within the specifications given in [Table 8](#), and a device operated below its rated maximum will have lower power consumption. However, inferences should not be made about a device’s power consumption based on the power specifications of another (lower) speed grade. For example, a 1700 MHz device operated at 1420 MHz may not exhibit the same power consumption as a 1420 MHz device operated at 1420 MHz.

For all MPC7448 devices, the following guidelines on the use of these parameters for system design are suggested. The Full-Power Mode–Typical value represents the sustained power consumption of the device

when running a typical benchmark at temperatures in a typical system. The Full-Power Mode–Thermal value is intended to represent the sustained power consumption of the device when running a typical code sequence at high temperature and is recommended to be used as the basis for designing a thermal solution; see [Section 9.7, “Power and Thermal Management Information”](#) for more information on thermal solutions. The Full-Power Mode–Maximum value is recommended to be used for power supply design because this represents the maximum peak power draw of the device that a power supply must be capable of sourcing without voltage droop. For information on power consumption when dynamic frequency switching is enabled, see [Section 9.7.5, “Dynamic Frequency Switching \(DFS\)”](#).

**Table 7. Power Consumption for MPC7448 at Maximum Rated Frequency**

	Die Junction Temperature (T <sub>j</sub> )	Maximum Processor Core Frequency (Speed Grade, MHz)				Unit	Notes
		1000 MHz	1420 MHz	1600 MHz	1700 MHz		
<b>Full-Power Mode</b>							
<b>Typical</b>	65 °C	15.0	19.0	20.0	21.0	W	1, 2
<b>Thermal</b>	105 °C	18.6	23.3	24.4	25.6	W	1, 5
<b>Maximum</b>	105 °C	21.6	27.1	28.4	29.8	W	1, 3
<b>Nap Mode</b>							
<b>Typical</b>	105 °C	11.1	11.8	13.0	13.0	W	1, 6
<b>Sleep Mode</b>							
<b>Typical</b>	105 °C	10.8	11.4	12.5	12.5	W	1, 6
<b>Deep Sleep Mode (PLL Disabled)</b>							
<b>Typical</b>	105 °C	10.4	11.0	12.0	12.0	W	1, 6

**Notes:**

1. These values specify the power consumption for the core power supply (V<sub>DD</sub>) at nominal voltage and apply to all valid processor bus frequencies and configurations. The values do not include I/O supply power (OV<sub>DD</sub>) or PLL supply power (AV<sub>DD</sub>). OV<sub>DD</sub> power is system dependent but is typically < 5% of V<sub>DD</sub> power. Worst case power consumption for AV<sub>DD</sub> < 13 mW. Freescale also offers MPC7448 part numbers that meet lower power consumption specifications; for more information on these devices, see [Section 11.2, “Part Numbers Not Fully Addressed by This Document.”](#)
2. Typical power consumption is an average value measured with the processor operating at its rated maximum processor core frequency (except for Deep Sleep Mode), at nominal recommended V<sub>DD</sub> (see [Table 4](#)) and 65°C while running the Dhrystone 2.1 benchmark and achieving 2.3 Dhrystone MIPs/MHz. This parameter is not 100% tested but periodically sampled.
3. Maximum power consumption is the average measured with the processor operating at its rated maximum processor core frequency, at nominal V<sub>DD</sub> and maximum operating junction temperature (see [Table 4](#)) while running an entirely cache-resident, contrived sequence of instructions to keep all the execution units maximally busy.
4. Doze mode is not a user-definable state; it is an intermediate state between full-power and either nap or sleep mode. As a result, power consumption for this mode is not tested.
5. Thermal power consumption is an average value measured at the nominal recommended V<sub>DD</sub> (see [Table 4](#)) and 105 °C while running the Dhrystone 2.1 benchmark and achieving 2.3 Dhrystone MIPs/MHz. This parameter is not 100% tested but periodically sampled.
6. Typical power consumption for these modes is measured at the nominal recommended V<sub>DD</sub> (see [Table 4](#)) and 105 °C in the mode described. This parameter is not 100% tested but is periodically sampled.

## 5.2 AC Electrical Characteristics

This section provides the AC electrical characteristics for the MPC7448. After fabrication, functional parts are sorted by maximum processor core frequency as shown in [Section 5.2.1, “Clock AC Specifications,”](#) and tested for conformance to the AC specifications for that frequency. The processor core frequency, determined by the bus (SYSCLK) frequency and the settings of the PLL\_CFG[0:5] signals, can be dynamically modified using dynamic frequency switching (DFS). Parts are sold by maximum processor core frequency; see [Section 11, “Part Numbering and Marking,”](#) for information on ordering parts. DFS is described in [Section 9.7.5, “Dynamic Frequency Switching \(DFS\).”](#)

### 5.2.1 Clock AC Specifications

[Table 8](#) provides the clock AC timing specifications as defined in [Figure 3](#) and represents the tested operating frequencies of the devices. The maximum system bus frequency,  $f_{\text{SYSCLK}}$ , given in [Table 8](#), is considered a practical maximum in a typical single-processor system. This does not exclude multi-processor systems, but these typically require considerably more design effort to achieve the maximum rated bus frequency. The actual maximum SYSCLK frequency for any application of the MPC7448 will be a function of the AC timings of the microprocessor(s), the AC timings for the system controller, bus loading, circuit board topology, trace lengths, and so forth, and may be less than the value given in [Table 8](#).

**Table 8. Clock AC Timing Specifications**

At recommended operating conditions. See Table 4.

Characteristic		Symbol	Maximum Processor Core Frequency (Speed Grade)								Unit	Notes
			1000 MHz		1420 MHz		1600 MHz		1700 MHz			
			Min	Max	Min	Max	Min	Max	Min	Max		
Processor core frequency	DFS mode disabled	$f_{core}$	600	1000	600	1420	600	1600	600	1700	MHz	1, 8
	DFS mode enabled	$f_{core\_DF}$	300	500	300	710	300	800	300	850		9
VCO frequency		$f_{VCO}$	600	1000	600	1420	600	800	600	1700	MHz	1, 10
SYSCLK frequency		$f_{SYSCLK}$	33	200	33	200	33	200	33	200	MHz	1, 2, 8
SYSCLK cycle time		$t_{SYSCLK}$	5.0	30	5.0	30	5.0	30	5.0	30	ns	2
SYSCLK rise and fall time		$t_{KR}, t_{KF}$	—	0.5	—	0.5	—	0.5	—	0.5	ns	3
SYSCLK duty cycle measured at $OV_{DD}/2$		$t_{KHKL}/t_{SYSCLK}$	40	60	40	60	40	60	40	60	%	4
SYSCLK cycle-to-cycle jitter			—	150	—	150	—	150	—	150	ps	5, 6
Internal PLL relock time			—	100	—	100	—	100	—	100	$\mu$ s	7

**Notes:**

- Caution:** The SYSCLK frequency and PLL\_CFG[0:5] settings must be chosen such that the resulting SYSCLK (bus) frequency, processor core frequency, and PLL (VCO) frequency do not exceed their respective maximum or minimum operating frequencies. Refer to the PLL\_CFG[0:5] signal description in Section 9.1.1, “PLL Configuration,” for valid PLL\_CFG[0:5] settings.
- Actual maximum system bus frequency is system-dependent. See Section 5.2.1, “Clock AC Specifications.”
- Rise and fall times for the SYSCLK input measured from 0.4 to 1.4 V
- Timing is guaranteed by design and characterization.
- Guaranteed by design
- The SYSCLK driver’s closed loop jitter bandwidth should be less than 1.5 MHz at –3 dB.
- Relock timing is guaranteed by design and characterization. PLL-relock time is the maximum amount of time required for PLL lock after a stable  $V_{DD}$  and SYSCLK are reached during the power-on reset sequence. This specification also applies when the PLL has been disabled and subsequently re-enabled during sleep mode. Also note that  $\overline{HRESET}$  must be held asserted for a minimum of 255 bus clocks after the PLL-relock time during the power-on reset sequence.
- This reflects the maximum and minimum core frequencies when the dynamic frequency switching feature (DFS) is disabled.  $f_{core\_DFS}$  provides the maximum and minimum core frequencies when operating in a DFS mode.
- This specification supports the Dynamic Frequency Switching (DFS) feature and is applicable only when one of the DFS modes (divide-by-2 or divide-by-4) is enabled. When DFS is disabled, the core frequency must conform to the maximum and minimum frequencies stated for  $f_{core}$ .
- Use of the DFS feature does not affect VCO frequency.



Figure 3 provides the SYSCLK input timing diagram.

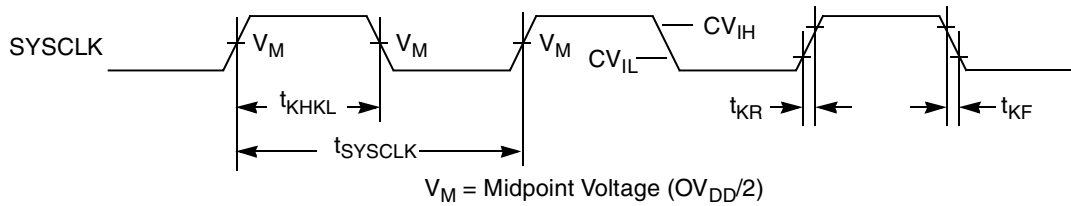


Figure 3. SYSCLK Input Timing Diagram

## 5.2.2 Processor Bus AC Specifications

Table 9 provides the processor bus AC timing specifications for the MPC7448 as defined in Figure 4 and Figure 5.

Table 9. Processor Bus AC Timing Specifications<sup>1</sup>

At recommended operating conditions. See Table 4.

Parameter	Symbol <sup>2</sup>	All Speed Grades		Unit	Notes
		Min	Max		
Input setup times: A[0:35], AP[0:4] D[0:63], DP[0:7] $\overline{\text{AACK}}$ , $\overline{\text{ARTRY}}$ , $\overline{\text{BG}}$ , $\overline{\text{CKSTP\_IN}}$ , $\overline{\text{DBG}}$ , $\overline{\text{DTI}}[0:3]$ , $\overline{\text{GBL}}$ , $\overline{\text{TT}}[0:4]$ , $\overline{\text{QACK}}$ , $\overline{\text{TA}}$ , $\overline{\text{TBEN}}$ , $\overline{\text{TEA}}$ , $\overline{\text{TS}}$ , $\overline{\text{EXT\_QUAL}}$ , $\overline{\text{PMON\_IN}}$ , $\overline{\text{SHD}}[0:1]$ $\overline{\text{BMODE}}[0:1]$ , $\overline{\text{BVSEL}}[0:1]$	$t_{\text{AVKH}}$ $t_{\text{DVKH}}$ $t_{\text{IVKH}}$ $t_{\text{MVKH}}$	1.5 1.5 1.5 1.5	— — — —	ns	— — — 8
Input hold times: A[0:35], AP[0:4] D[0:63], DP[0:7] $\overline{\text{AACK}}$ , $\overline{\text{ARTRY}}$ , $\overline{\text{BG}}$ , $\overline{\text{CKSTP\_IN}}$ , $\overline{\text{DBG}}$ , $\overline{\text{DTI}}[0:3]$ , $\overline{\text{GBL}}$ , $\overline{\text{TT}}[0:4]$ , $\overline{\text{QACK}}$ , $\overline{\text{TA}}$ , $\overline{\text{TBEN}}$ , $\overline{\text{TEA}}$ , $\overline{\text{TS}}$ , $\overline{\text{EXT\_QUAL}}$ , $\overline{\text{PMON\_IN}}$ , $\overline{\text{SHD}}[0:1]$ $\overline{\text{BMODE}}[0:1]$ , $\overline{\text{BVSEL}}[0:1]$	$t_{\text{AXKH}}$ $t_{\text{DXKH}}$ $t_{\text{IXKH}}$ $t_{\text{MXKH}}$	0 0 0 0	— — — —	ns	— — — 8
Output valid times: A[0:35], AP[0:4] D[0:63], DP[0:7] $\overline{\text{BR}}$ , $\overline{\text{CI}}$ , $\overline{\text{DRDY}}$ , $\overline{\text{GBL}}$ , $\overline{\text{HIT}}$ , $\overline{\text{PMON\_OUT}}$ , $\overline{\text{QREQ}}$ , $\overline{\text{TBST}}$ , $\overline{\text{TSIZ}}[0:2]$ , $\overline{\text{TT}}[0:4]$ , $\overline{\text{WT}}$ $\overline{\text{TS}}$ $\overline{\text{ARTRY}}$ , $\overline{\text{SHD}}[0:1]$	$t_{\text{KHAV}}$ $t_{\text{KHVDV}}$ $t_{\text{KHOV}}$ $t_{\text{KHTSV}}$ $t_{\text{KHARV}}$	— — — — —	1.8 1.8 1.8 1.8 1.8	ns	
Output hold times: A[0:35], AP[0:4] D[0:63], DP[0:7] $\overline{\text{BR}}$ , $\overline{\text{CI}}$ , $\overline{\text{DRDY}}$ , $\overline{\text{GBL}}$ , $\overline{\text{HIT}}$ , $\overline{\text{PMON\_OUT}}$ , $\overline{\text{QREQ}}$ , $\overline{\text{TBST}}$ , $\overline{\text{TSIZ}}[0:2]$ , $\overline{\text{TT}}[0:4]$ , $\overline{\text{WT}}$ $\overline{\text{TS}}$ $\overline{\text{ARTRY}}$ , $\overline{\text{SHD}}[0:1]$	$t_{\text{KHAX}}$ $t_{\text{KHDX}}$ $t_{\text{KHOX}}$ $t_{\text{KHTSX}}$ $t_{\text{KHARX}}$	0.5 0.5 0.5 0.5 0.5	— — — — —	ns	
SYSCLK to output enable	$t_{\text{KHOE}}$	0.5	—	ns	5

**Table 9. Processor Bus AC Timing Specifications<sup>1</sup> (continued)**

At recommended operating conditions. See Table 4.

Parameter	Symbol <sup>2</sup>	All Speed Grades		Unit	Notes
		Min	Max		
SYSClk to output high impedance (all except $\overline{TS}$ , $\overline{ARTRY}$ , $\overline{SHD0}$ , $\overline{SHD1}$ )	$t_{KHOZ}$	—	1.8	ns	5
SYSClk to $\overline{TS}$ high impedance after precharge	$t_{KHTSPZ}$	—	1	$t_{SYSClk}$	3, 4, 5
Maximum delay to $\overline{ARTRY}/\overline{SHD0}/\overline{SHD1}$ precharge	$t_{KHARP}$	—	1	$t_{SYSClk}$	3, 5, 6, 7
SYSClk to $\overline{ARTRY}/\overline{SHD0}/\overline{SHD1}$ high impedance after precharge	$t_{KHARPZ}$	—	2	$t_{SYSClk}$	3, 5, 6, 7

**Notes:**

- All input specifications are measured from the midpoint of the signal in question to the midpoint of the rising edge of the input SYSClk. All output specifications are measured from the midpoint of the rising edge of SYSClk to the midpoint of the signal in question. All output timings assume a purely resistive 50-Ω load (see Figure 4). Input and output timings are measured at the pin; time-of-flight delays must be added for trace lengths, vias, and connectors in the system.
- The symbology used for timing specifications herein follows the pattern of  $t_{(signal)(state)(reference)(state)}$  for inputs and  $t_{(reference)(state)(signal)(state)}$  for outputs. For example,  $t_{VKH}$  symbolizes the time input signals (I) reach the valid state (V) relative to the SYSClk reference (K) going to the high (H) state or input setup time. And  $t_{KHOV}$  symbolizes the time from SYSClk(K) going high (H) until outputs (O) are valid (V) or output valid time. Input hold time can be read as the time that the input signal (I) went invalid (X) with respect to the rising clock edge (KH) (note the position of the reference and its state for inputs) and output hold time can be read as the time from the rising edge (KH) until the output went invalid (OX).
- $t_{SYSClk}$  is the period of the external clock (SYSClk) in ns. The numbers given in the table must be multiplied by the period of SYSClk to compute the actual time duration (in ns) of the parameter in question.
- According to the bus protocol,  $\overline{TS}$  is driven only by the currently active bus master. It is asserted low and precharged high before returning to high impedance, as shown in Figure 6. The nominal precharge width for  $\overline{TS}$  is  $t_{SYSClk}$ , that is, one clock period. Since no master can assert  $\overline{TS}$  on the following clock edge, there is no concern regarding contention with the precharge. Output valid and output hold timing is tested for the signal asserted. Output valid time is tested for precharge. The high-impedance behavior is guaranteed by design.
- Guaranteed by design and not tested
- According to the bus protocol,  $\overline{ARTRY}$  can be driven by multiple bus masters through the clock period immediately following  $\overline{AACK}$ . Bus contention is not an issue because any master asserting  $\overline{ARTRY}$  will be driving it low. Any master asserting it low in the first clock following  $\overline{AACK}$  will then go to high impedance for a fraction of a cycle, then negated for up to an entire cycle (crossing a bus cycle boundary) before being three-stated again. The nominal precharge width for  $\overline{ARTRY}$  is  $1.0 t_{SYSClk}$ ; that is, it should be high impedance as shown in Figure 6 before the first opportunity for another master to assert  $\overline{ARTRY}$ . Output valid and output hold timing is tested for the signal asserted. The high-impedance behavior is guaranteed by design.
- According to the MPX bus protocol,  $\overline{SHD0}$  and  $\overline{SHD1}$  can be driven by multiple bus masters beginning two cycles after  $\overline{TS}$ . Timing is the same as  $\overline{ARTRY}$ , that is, the signal is high impedance for a fraction of a cycle, then negated for up to an entire cycle (crossing a bus cycle boundary) before being three-stated again. The nominal precharge width for  $\overline{SHD0}$  and  $\overline{SHD1}$  is  $1.0 t_{SYSClk}$ . The edges of the precharge vary depending on the programmed ratio of core to bus (PLL configurations).
- $\overline{BMODE}[0:1]$  and  $BVSEL[0:1]$  are mode select inputs.  $\overline{BMODE}[0:1]$  are sampled before and after  $\overline{HRESET}$  negation.  $BVSEL[0:1]$  are sampled before  $\overline{HRESET}$  negation. These parameters represent the input setup and hold times for each sample. These values are guaranteed by design and not tested.  $\overline{BMODE}[0:1]$  must remain stable after the second sample;  $BVSEL[0:1]$  must remain stable after the first (and only) sample. See Figure 5 for sample timing.

Figure 4 provides the AC test load for the MPC7448.

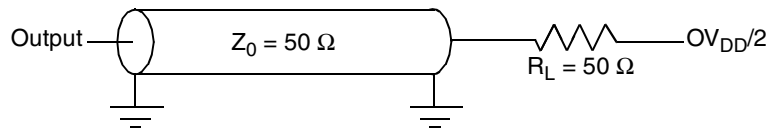


Figure 4. AC Test Load

Figure 5 provides the  $\overline{\text{BMODE}}[0:1]$  input timing diagram for the MPC7448. These mode select inputs are sampled once before and once after  $\overline{\text{HRESET}}$  negation.

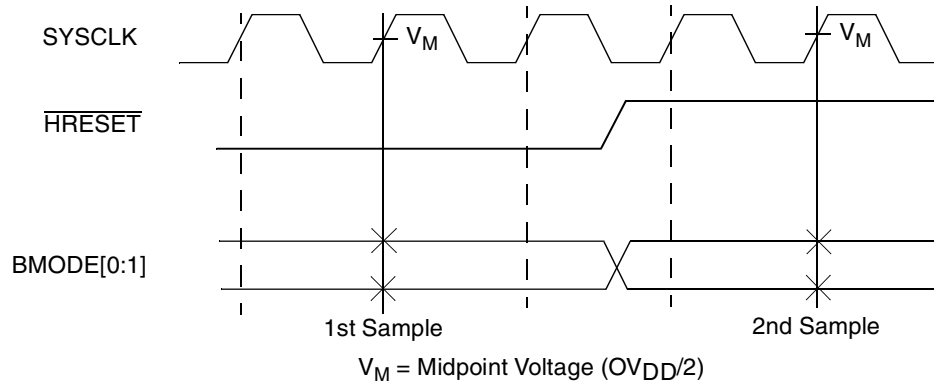


Figure 5.  $\overline{\text{BMODE}}[0:1]$  Input Sample Timing Diagram



### 5.2.3 IEEE Std. 1149.1 AC Timing Specifications

Table 10 provides the IEEE Std. 1149.1 (JTAG) AC timing specifications as defined in Figure 8 through Figure 11.

**Table 10. JTAG AC Timing Specifications (Independent of SYSCLK)<sup>1</sup>**

At recommended operating conditions. See Table 4.

Parameter	Symbol	Min	Max	Unit	Notes
TCK frequency of operation	$f_{TCLK}$	0	33.3	MHz	
TCK cycle time	$t_{TCLK}$	30	—	ns	
TCK clock pulse width measured at 1.4 V	$t_{HJL}$	15	—	ns	
TCK rise and fall times	$t_{JR}$ and $t_{JF}$	—	2	ns	
$\overline{TRST}$ assert time	$t_{TRST}$	25	—	ns	2
Input setup times: Boundary-scan data TMS, TDI	$t_{DVJH}$ $t_{IVJH}$	4 0	— —	ns	3
Input hold times: Boundary-scan data TMS, TDI	$t_{DXJH}$ $t_{IXJH}$	20 25	— —	ns	3
Valid times: Boundary-scan data TDO	$t_{JLDV}$ $t_{JLOV}$	4 4	20 25	ns	4
Output hold times: Boundary-scan data TDO	$t_{JLDX}$ $t_{JLOX}$	30 30	— —	ns	4
TCK to output high impedance: Boundary-scan data TDO	$t_{JLDZ}$ $t_{JLOZ}$	3 3	19 9	ns	4, 5

**Notes:**

- All outputs are measured from the midpoint voltage of the falling/rising edge of TCLK to the midpoint of the signal in question. The output timings are measured at the pins. All output timings assume a purely resistive 50-Ω load (see Figure 7). Time-of-flight delays must be added for trace lengths, vias, and connectors in the system.
- $\overline{TRST}$  is an asynchronous level sensitive signal. The time is for test purposes only.
- Non-JTAG signal input timing with respect to TCK.
- Non-JTAG signal output timing with respect to TCK.
- Guaranteed by design and characterization.

Figure 7 provides the AC test load for TDO and the boundary-scan outputs of the MPC7448.

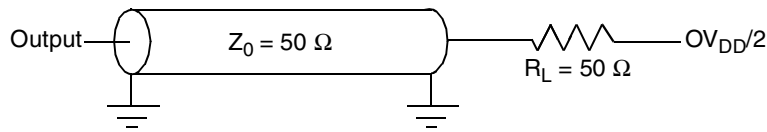


Figure 7. Alternate AC Test Load for the JTAG Interface

Figure 8 provides the JTAG clock input timing diagram.

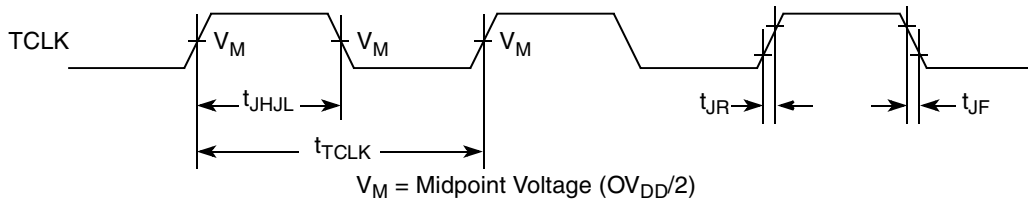


Figure 8. JTAG Clock Input Timing Diagram

Figure 9 provides the  $\overline{\text{TRST}}$  timing diagram.

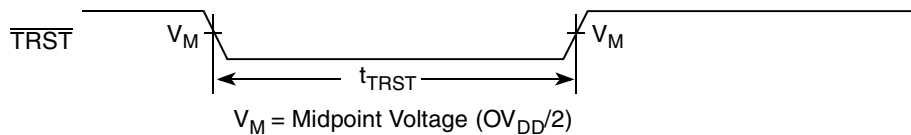


Figure 9.  $\overline{\text{TRST}}$  Timing Diagram

Figure 10 provides the boundary-scan timing diagram.

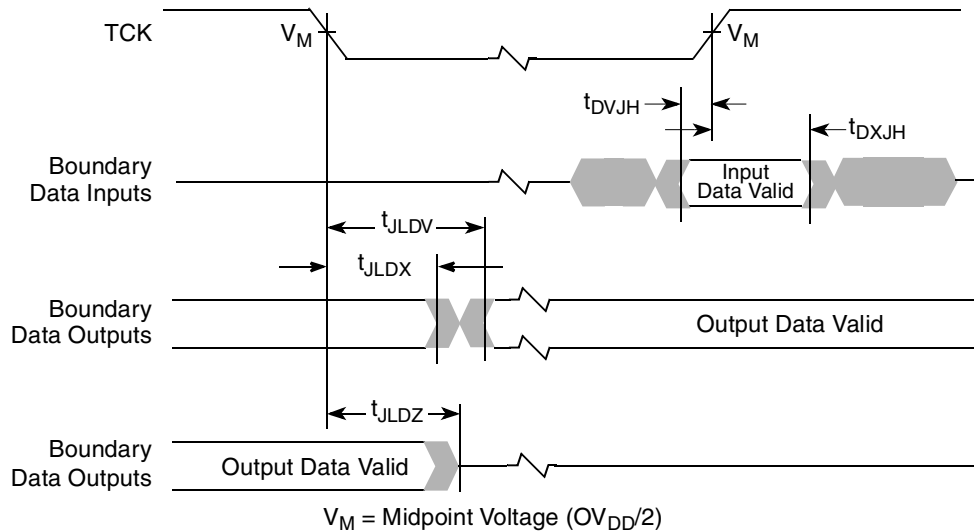


Figure 10. Boundary-Scan Timing Diagram

Figure 11 provides the test access port timing diagram.

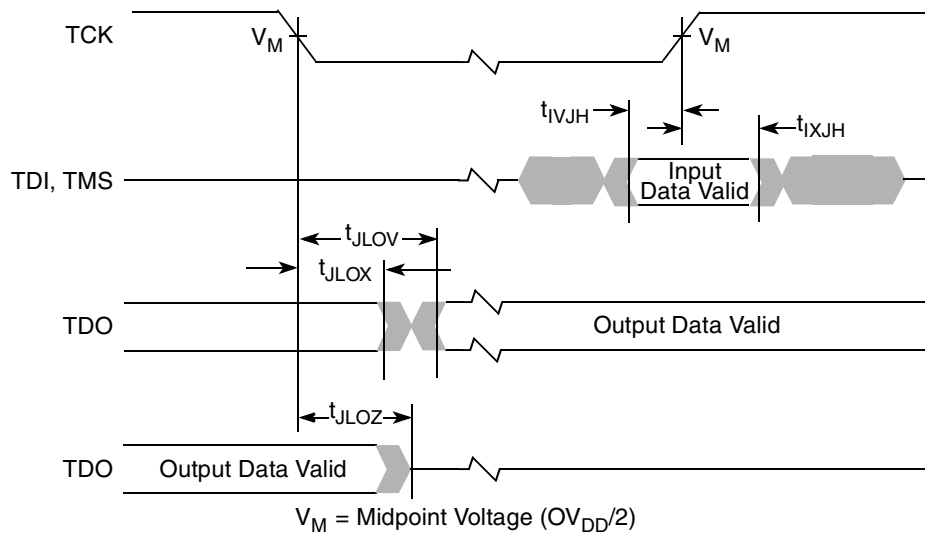


Figure 11. Test Access Port Timing Diagram

### 5.3 Voltage and Frequency Derating

Voltage and frequency derating is no longer supported for part numbers described by this document beginning with datecode 0613. (See [Section 11, “Part Numbering and Marking,”](#) for information on date code markings.) It is supported by some MPC7448 part numbers which target low-power applications; see [Section 11.2, “Part Numbers Not Fully Addressed by This Document”](#) and the referenced MPC7448 Hardware Specification Addenda for more information on these low-power devices. For those devices which previously supported this feature, information has been archived in the *Chip Errata for the MPC7448* (document order no. MPC7448CE).

## 6 Pin Assignments

Figure 12 (in Part A) shows the pinout of the MPC7448, 360 high coefficient of thermal expansion ceramic ball grid array (HCTE) package as viewed from the top surface. Part B shows the side profile of the HCTE package to indicate the direction of the top surface view.

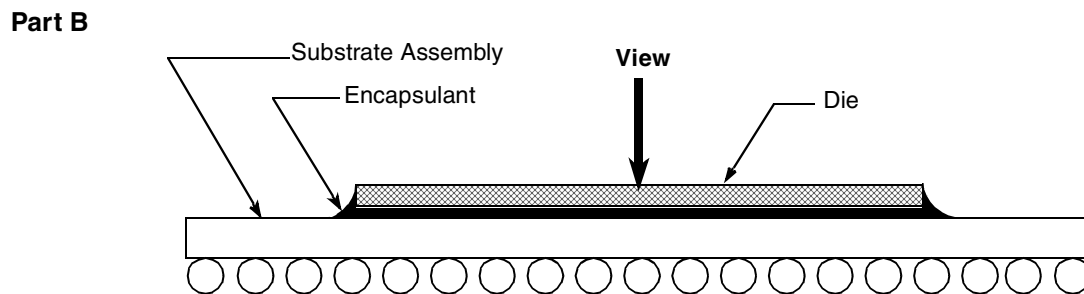
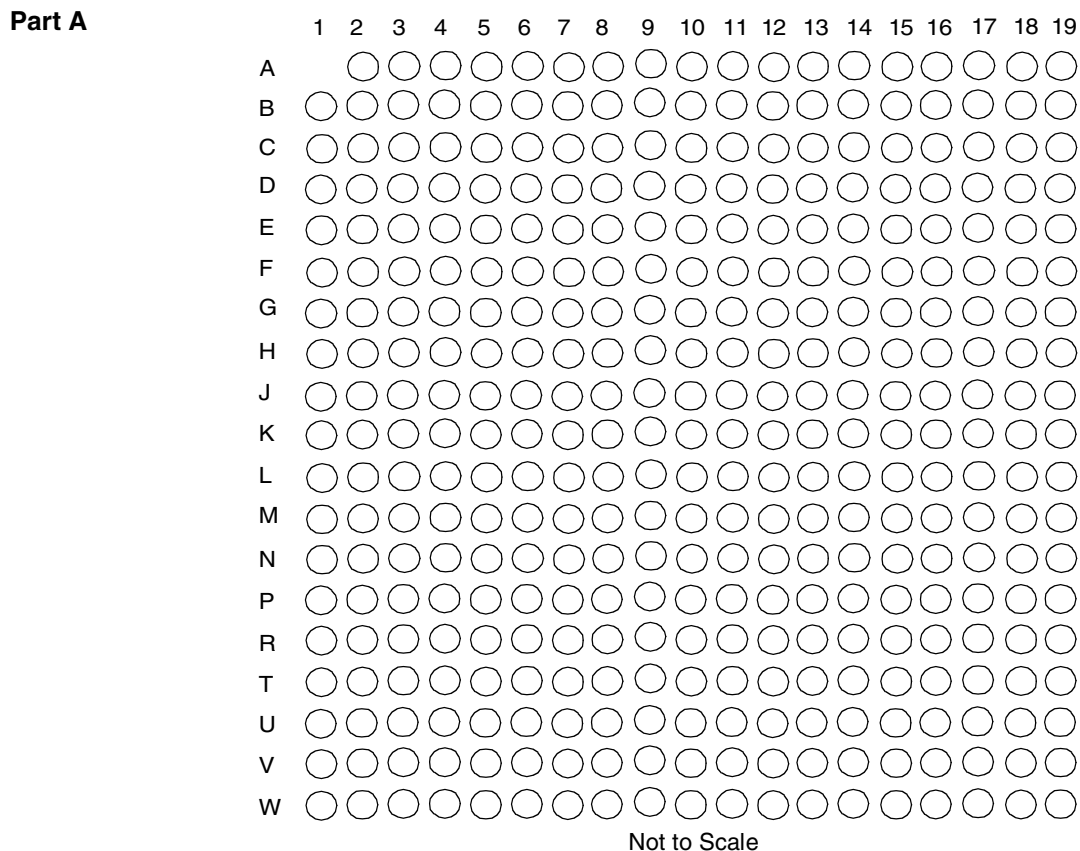


Figure 12. Pinout of the MPC7448, 360 HCTE Package as Viewed from the Top Surface



## 7 Pinout Listings

Table 11 provides the pinout listing for the MPC7448, 360 HCTE package. The pinouts of the MPC7448 and MPC7447A are compatible, but the requirements regarding the use of the additional power and ground pins have changed. The MPC7448 requires these pins be connected to the appropriate power or ground plane to achieve high core frequencies; see Section 9.3, “Connection Recommendations,” for additional information. As a result, these pins should be connected in all new designs.

Additionally, the MPC7448 may be populated on a board designed for a MPC7447 (or MPC7445 or MPC7441), provided the core voltage can be made to match the requirements in Table 4 and all pins defined as ‘no connect’ for the MPC7447 are unterminated, as required by the *MPC7457 RISC Microprocessor Hardware Specifications*. The MPC7448 uses pins previously marked ‘no connect’ for the temperature diode pins and for additional power and ground connections. The additional power and ground pins are required to achieve high core frequencies and core frequency will be limited if they are not connected; see Section 9.3, “Connection Recommendations,” for additional information. Because these ‘no connect’ pins in the MPC7447 360 pin package are not driven in functional mode, an MPC7447 can be populated in an MPC7448 board.

### NOTE

Caution must be exercised when performing boundary scan test operations on a board designed for an MPC7448, but populated with an MPC7447 or earlier device. This is because in the MPC7447 it is possible to drive the latches associated with the former ‘no connect’ pins in the MPC7447, potentially causing contention on those pins. To prevent this, ensure that these pins are not connected on the board or, if they are connected, ensure that the states of internal MPC7447 latches do not cause these pins to be driven during board testing.

For the MPC7448, pins that were defined as the TEST[0:4] factory test signal group on the MPC7447A and earlier devices have been assigned new functions. For most of these, the termination recommendations for the TEST[0:4] pins of the MPC7447A are compatible with the MPC7448 and will allow correct operation with no performance loss. The exception is BVSEL1 (TEST3 on the MPC7447A and earlier devices), which may require a different termination depending which I/O voltage mode is desired; see Table 3 for more information.

### NOTE

This pinout is not compatible with the MPC750, MPC7400, or MPC7410 360 BGA package.

**Table 11. Pinout Listing for the MPC7448, 360 HCTE Package**

Signal Name	Pin Number	Active	I/O	Notes
A[0:35]	E11, H1, C11, G3, F10, L2, D11, D1, C10, G2, D12, L3, G4, T2, F4, V1, J4, R2, K5, W2, J2, K4, N4, J3, M5, P5, N3, T1, V2, U1, N5, W1, B12, C4, G10, B11	High	I/O	2
$\overline{\text{AACK}}$	R1	Low	Input	
AP[0:4]	C1, E3, H6, F5, G7	High	I/O	2
$\overline{\text{ARTRY}}$	N2	Low	I/O	3
AV <sub>DD</sub>	A8	—	Input	
$\overline{\text{BG}}$	M1	Low	Input	
$\overline{\text{BMODE0}}$	G9	Low	Input	4
$\overline{\text{BMODE1}}$	F8	Low	Input	5
$\overline{\text{BR}}$	D2	Low	Output	
BVSEL0	B7	High	Input	1, 6
BVSEL1	E10	High	Input	1, 20
$\overline{\text{CI}}$	J1	Low	Output	
$\overline{\text{CKSTP\_IN}}$	A3	Low	Input	
$\overline{\text{CKSTP\_OUT}}$	B1	Low	Output	
CLK_OUT	H2	High	Output	
D[0:63]	R15, W15, T14, V16, W16, T15, U15, P14, V13, W13, T13, P13, U14, W14, R12, T12, W12, V12, N11, N10, R11, U11, W11, T11, R10, N9, P10, U10, R9, W10, U9, V9, W5, U6, T5, U5, W7, R6, P7, V6, P17, R19, V18, R18, V19, T19, U19, W19, U18, W17, W18, T16, T18, T17, W3, V17, U4, U8, U7, R7, P6, R8, W8, T8	High	I/O	
$\overline{\text{DBG}}$	M2	Low	Input	
$\overline{\text{DFS2}}$	A12	Low	Input	20, 21
$\overline{\text{DFS4}}$	B6	Low	Input	12, 20, 21
DP[0:7]	T3, W4, T4, W9, M6, V3, N8, W6	High	I/O	
$\overline{\text{DRDY}}$	R3	Low	Output	7
DTI[0:3]	G1, K1, P1, N1	High	Input	8
EXT_QUAL	A11	High	Input	9
$\overline{\text{GBL}}$	E2	Low	I/O	
GND	B5, C3, D6, D13, E17, F3, G17, H4, H7, H9, H11, H13, J6, J8, J10, J12, K7, K3, K9, K11, K13, L6, L8, L10, L12, M4, M7, M9, M11, M13, N7, P3, P9, P12, R5, R14, R17, T7, T10, U3, U13, U17, V5, V8, V11, V15	—	—	
GND	A17, A19, B13, B16, B18, E12, E19, F13, F16, F18, G19, H18, J14, L14, M15, M17, M19, N14, N16, P15, P19	—	—	15
GND_SENSE	G12, N13	—	—	19
$\overline{\text{HIT}}$	B2	Low	Output	7
$\overline{\text{HRESET}}$	D8	Low	Input	
$\overline{\text{INT}}$	D4	Low	Input	
L1_TSTCLK	G8	High	Input	9
L2_TSTCLK	B3	High	Input	10

**Table 11. Pinout Listing for the MPC7448, 360 HCTE Package (continued)**

Signal Name	Pin Number	Active	I/O	Notes
$\overline{\text{LVRAM}}$	B10	—	—	12, 20, 22
NC (no connect)	A6, A14, A15, B14, B15, C14, C15, C16, C17, C18, C19, D14, D15, D16, D17, D18, D19, E14, E15, F14, F15, G14, G15, H15, H16, J15, J16, J17, J18, J19, K15, K16, K17, K18, K19, L15, L16, L17, L18, L19	—	—	11
$\overline{\text{LSSD\_MODE}}$	E8	Low	Input	6, 12
$\overline{\text{MCP}}$	C9	Low	Input	
$\text{OV}_{\text{DD}}$	B4, C2, C12, D5, F2, H3, J5, K2, L5, M3, N6, P2, P8, P11, R4, R13, R16, T6, T9, U2, U12, U16, V4, V7, V10, V14	—	—	
$\text{OVDD\_SENSE}$	E18, G18	—	—	16
$\text{PLL\_CFG}[0:4]$	B8, C8, C7, D7, A7	High	Input	
$\text{PLL\_CFG}[5]$	D10	High	Input	9, 20
$\overline{\text{PMON\_IN}}$	D9	Low	Input	13
$\overline{\text{PMON\_OUT}}$	A9	Low	Output	
$\overline{\text{QACK}}$	G5	Low	Input	
$\overline{\text{QREQ}}$	P4	Low	Output	
$\overline{\text{SHD}}[0:1]$	E4, H5	Low	I/O	3
$\overline{\text{SMI}}$	F9	Low	Input	
$\overline{\text{SRESET}}$	A2	Low	Input	
$\text{SYSCLK}$	A10	—	Input	
$\overline{\text{TA}}$	K6	Low	Input	
TBEN	E1	High	Input	
$\overline{\text{TBST}}$	F11	Low	Output	
TCK	C6	High	Input	
TDI	B9	High	Input	6
TDO	A4	High	Output	
$\overline{\text{TEA}}$	L1	Low	Input	
TEMP_ANODE	N18	—	—	17
TEMP_CATHODE	N19	—	—	17
TMS	F1	High	Input	6
$\overline{\text{TRST}}$	A5	Low	Input	6, 14
$\overline{\text{TS}}$	L4	Low	I/O	3
$\text{TSIZ}[0:2]$	G6, F7, E7	High	Output	
$\text{TT}[0:4]$	E5, E6, F6, E9, C5	High	I/O	
$\overline{\text{WT}}$	D3	Low	Output	
$\text{V}_{\text{DD}}$	H8, H10, H12, J7, J9, J11, J13, K8, K10, K12, K14, L7, L9, L11, L13, M8, M10, M12	—	—	
$\text{V}_{\text{DD}}$	A13, A16, A18, B17, B19, C13, E13, E16, F12, F17, F19, G11, G16, H14, H17, H19, M14, M16, M18, N15, N17, P16, P18	—	—	15

**Table 11. Pinout Listing for the MPC7448, 360 HCTE Package (continued)**

Signal Name	Pin Number	Active	I/O	Notes
VDD_SENSE	G13, N12	—	—	18

**Notes:**

1.  $OV_{DD}$  supplies power to the processor bus, JTAG, and all control signals, and is configurable. ( $V_{DD}$  supplies power to the processor core, and  $AV_{DD}$  supplies power to the PLL after filtering from  $V_{DD}$ ). To program the I/O voltage, see [Table 3](#). If used, the pull-down resistor should be less than 250  $\Omega$ . Because these settings may change in future products, it is recommended BVSEL[0:1] be configured using resistor options, jumpers, or some other flexible means, with the capability to reconfigure the termination of this signal in the future if necessary. For actual recommended value of  $V_{in}$  or supply voltages see [Table 4](#).
2. Unused address pins must be pulled down to GND and corresponding address parity pins pulled up to  $OV_{DD}$ .
3. These pins require weak pull-up resistors (for example, 4.7 K $\Omega$ ) to maintain the control signals in the negated state after they have been actively negated and released by the MPC7448 and other bus masters.
4. This signal selects between MPX bus mode (asserted) and 60x bus mode (negated) and will be sampled at  $\overline{HRESET}$  going high.
5. This signal must be negated during reset, by pull-up resistor to  $OV_{DD}$  or negation by  $\overline{\overline{HRESET}}$  (inverse of  $\overline{HRESET}$ ), to ensure proper operation.
6. Internal pull up on die.
7. Not used in 60x bus mode.
8. These signals must be pulled down to GND if unused, or if the MPC7448 is in 60x bus mode.
9. These input signals are for factory use only and must be pulled down to GND for normal machine operation.
10. This test signal is recommended to be tied to  $\overline{HRESET}$ ; however, other configurations will not adversely affect performance.
11. These signals are for factory use only and must be left unconnected for normal machine operation. Some pins that were NCs on the MPC7447, MPC7445, and MPC7441 have now been defined for other purposes.
12. These input signals are for factory use only and must be pulled up to  $OV_{DD}$  for normal machine operation.
13. This pin can externally cause a performance monitor event. Counting of the event is enabled through software.
14. This signal must be asserted during reset, by pull down to GND or assertion by  $\overline{HRESET}$ , to ensure proper operation.
15. These pins were NCs on the MPC7447, MPC7445, and MPC7441. See [Section 9.3, "Connection Recommendations,"](#) for more information.
16. These pins were  $OV_{DD}$  pins on the MPC7447, MPC7445, and MPC7441. These pins are internally connected to  $OV_{DD}$  and are intended to allow an external device (such as a power supply) to detect the I/O voltage level present inside the device package. If unused, it is recommended they be connected to test points to facilitate system debug; otherwise, they may be connected directly to  $OV_{DD}$  or left unconnected.
17. These pins provide connectivity to the on-chip temperature diode that can be used to determine the die junction temperature of the processor. These pins may be left unterminated if unused.
18. These pins are internally connected to  $V_{DD}$  and are intended to allow an external device (such as a power supply) to detect the processor core voltage level present inside the device package. If unused, it is recommended they be connected to test points to facilitate system debug; otherwise, they may be connected directly to  $V_{DD}$  or left unconnected.
19. These pins are internally connected to GND and are intended to allow an external device to detect the processor ground voltage level present inside the device package. If unused, it is recommended they be connected to test points to facilitate system debug; otherwise, they may be connected directly to GND or left unconnected.
20. These pins were in the TEST[0:4] factory test pin group on the MPC7447A, MPC7447, MPC7445, and MPC7441. They have been assigned new functions on the MPC7448.
21. These pins can be used to enable the supported dynamic frequency switching (DFS) modes via hardware. If both are pulled down, DFS mode is disabled completely and cannot be enabled via software. If unused, they should be pulled up to  $OV_{DD}$  to allow software control of DFS. See the *MPC7450 RISC Microprocessor Family Reference Manual* for more information.
22. This pin is provided to allow operation of the L2 cache at low core voltages and is for factory use only. See the *MPC7450 RISC Microprocessor Family Reference Manual* for more information.

## 8 Package Description

The following sections provide the package parameters and mechanical dimensions for the HCTE package.

### 8.1 Package Parameters for the MPC7448, 360 HCTE BGA

The package parameters are as provided in the following list. The package type is 25 × 25 mm, 360-lead high coefficient of thermal expansion ceramic ball grid array (HCTE).

Package outline	25 × 25 mm
Interconnects	360 (19 × 19 ball array – 1)
Pitch	1.27 mm (50 mil)
Minimum module height	2.32 mm
Maximum module height	2.80 mm
Ball diameter	0.89 mm (35 mil)
Coefficient of thermal expansion	12.3 ppm/°C

## 8.2 Mechanical Dimensions for the MPC7448, 360 HCTE BGA

Figure 13 provides the mechanical dimensions and bottom surface nomenclature for the MPC7448, 360 HCTE BGA package.

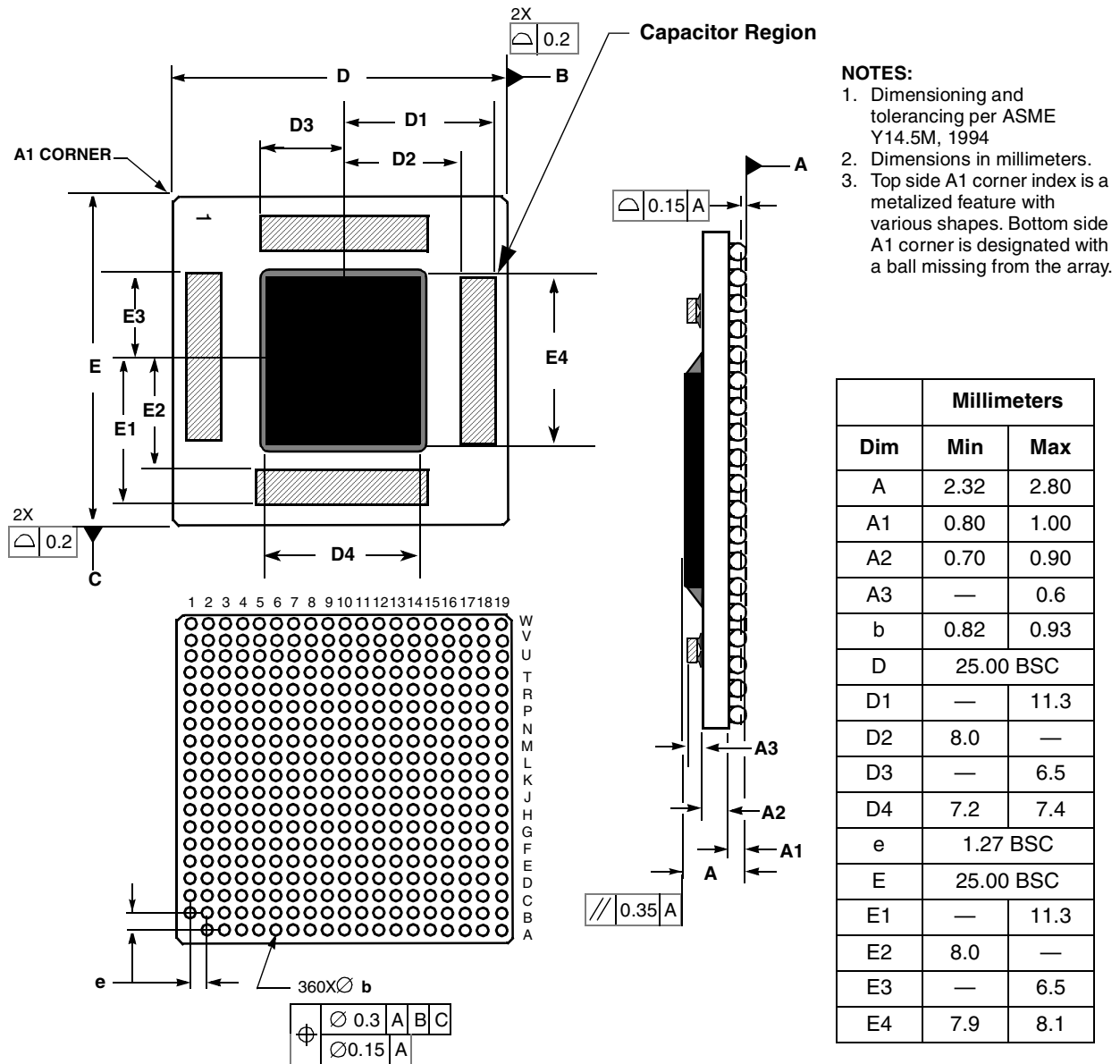


Figure 13. Mechanical Dimensions and Bottom Surface Nomenclature for the MPC7448, 360 HCTE BGA Package

### 8.3 Package Parameters for the MPC7448, 360 HCTE LGA

The package parameters are as provided in the following list. The package type is 25 × 25 mm, 360 pin high coefficient of thermal expansion ceramic land grid array (HCTE).

Package outline	25 × 25 mm
Interconnects	360 (19 × 19 ball array – 1)
Pitch	1.27 mm (50 mil)
Minimum module height	1.52 mm
Maximum module height	1.80 mm
Pad diameter	0.89 mm (35 mil)
Coefficient of thermal expansion	12.3 ppm/°C

## 8.4 Mechanical Dimensions for the MPC7448, 360 HCTE LGA

Figure 13 provides the mechanical dimensions and bottom surface nomenclature for the MPC7448, 360 HCTE LGA package.

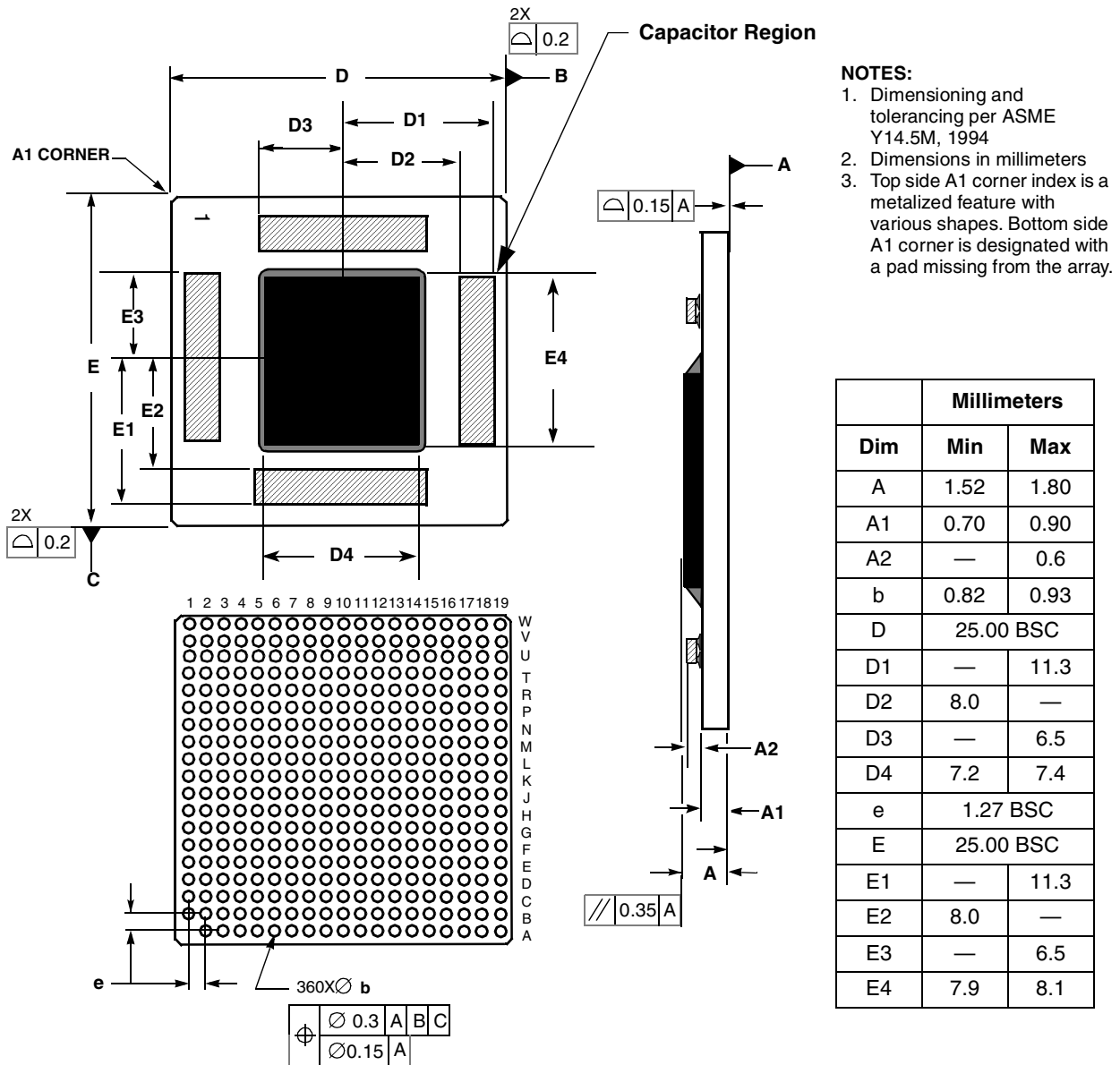


Figure 14. Mechanical Dimensions and Bottom Surface Nomenclature for the MPC7448, 360 HCTE LGA Package



## 8.5 Package Parameters for the MPC7448, 360 HCTE RoHS-Compliant BGA

The package parameters are as provided in the following list. The package type is 25 × 25 mm, 360-lead high coefficient of thermal expansion ceramic ball grid array (HCTE) with RoHS-compliant lead-free spheres.

Package outline	25 × 25 mm
Interconnects	360 (19 × 19 ball array – 1)
Pitch	1.27 mm (50 mil)
Minimum module height	1.92 mm
Maximum module height	2.40 mm
Ball diameter	0.75 mm (30 mil)
Coefficient of thermal expansion	12.3 ppm/°C

## 8.6 Mechanical Dimensions for the MPC7448, 360 HCTE RoHS-Compliant BGA

Figure 13 provides the mechanical dimensions and bottom surface nomenclature for the MPC7448, 360 HCTE BGA package with RoHS-compliant lead-free spheres.

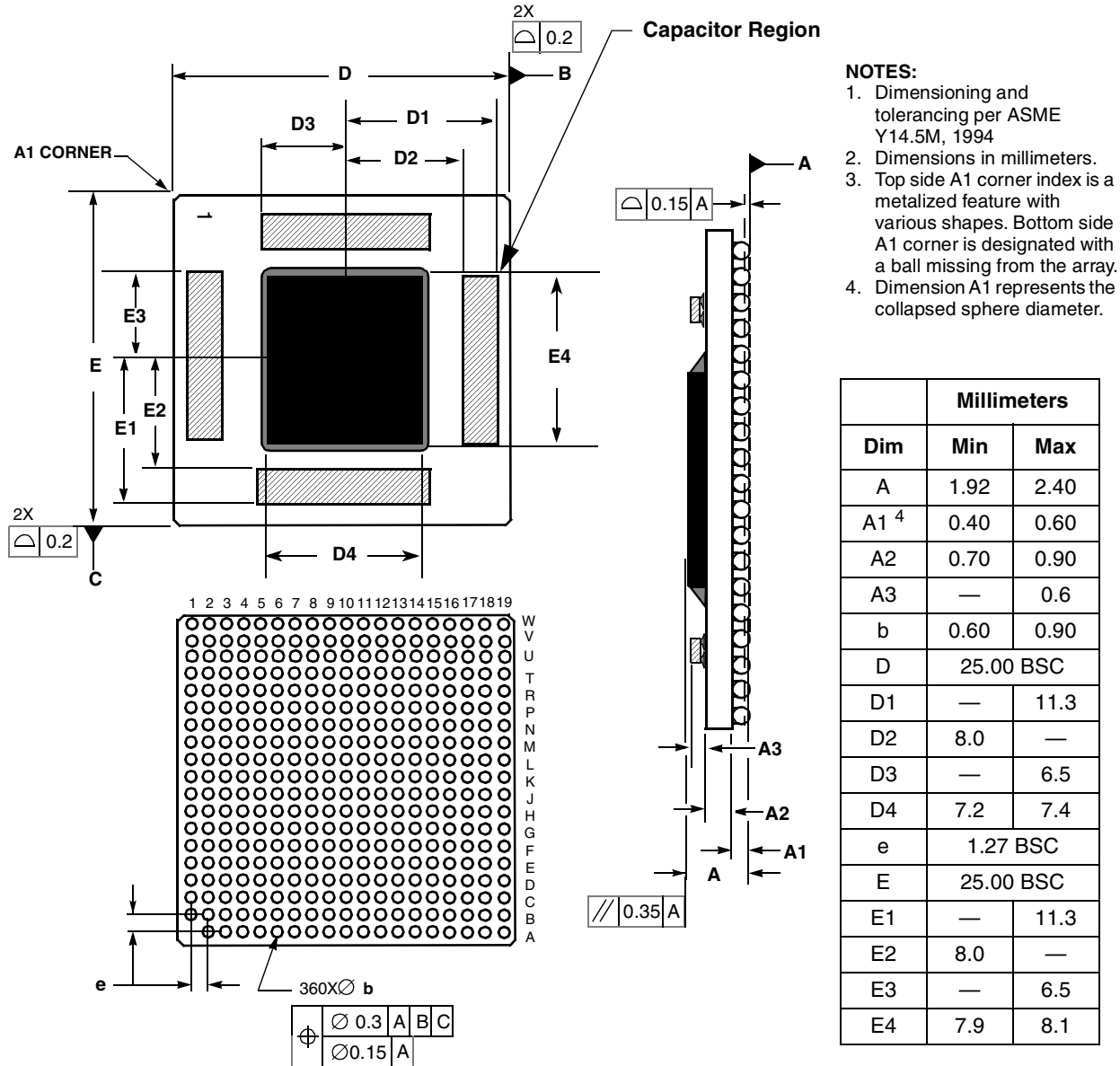


Figure 15. Mechanical Dimensions and Bottom Surface Nomenclature for the MPC7448, 360 HCTE RoHS-Compliant BGA Package

## 9 System Design Information

This section provides system and thermal design requirements and recommendations for successful application of the MPC7448.

### 9.1 Clocks

The following sections provide more detailed information regarding the clocking of the MPC7448.

#### 9.1.1 PLL Configuration

The MPC7448 PLL is configured by the PLL\_CFG[0:5] signals. For a given SYSCLK (bus) frequency, the PLL configuration signals set the internal CPU and VCO frequency of operation. The PLL configuration for the MPC7448 is shown in Table 12. In this example, shaded cells represent settings that, for a given SYSCLK frequency, result in core and/or VCO frequencies that do not comply with Table 8. When enabled, dynamic frequency switching (DFS) also affects the core frequency by halving or quartering the bus-to-core multiplier; see Section 9.7.5, “Dynamic Frequency Switching (DFS),” for more information. Note that when DFS is enabled the resulting core frequency must meet the adjusted minimum core frequency requirements ( $f_{\text{core\_DFS}}$ ) described in Table 8. Note that the PLL\_CFG[5] is currently used for factory test only and should be tied low, and that the MPC7448 PLL configuration settings are compatible with the MPC7447A PLL configuration settings when PLL\_CFG[5] = 0.

**Table 12. MPC7448 Microprocessor PLL Configuration Example**

PLL_CFG[0:5]	Example Core and VCO Frequency in MHz											
	Bus-to-Core Multiplier <sup>5</sup>	Core-to-VCO Multiplier <sup>5</sup>	Bus (SYSCLK) Frequency									
			33.3 MHz	50 MHz	66.6 MHz	75 MHz	83 MHz	100 MHz	133 MHz	167 MHz	200 MHz	
010000	2x <sup>6</sup>	1x										
100000	3x <sup>6</sup>	1x										600
101000	4x <sup>6</sup>	1x									667	800
101100	5x	1x								667	835	1000
100100	5.5x	1x								733	919	1100
110100	6x	1x							600	800	1002	1200
010100	6.5x	1x							650	866	1086	1300
001000	7x	1x							700	931	1169	1400
000100	7.5x	1x						623	750	1000	1253	1500
110000	8x	1x				600	664	800	1064	1336	1600	
011000	8.5x	1x				638	706	850	1131	1417	1700	
011110	9x	1x			600	675	747	900	1197	1500		
011100	9.5x	1x			633	712	789	950	1264	1583		
101010	10x	1x			667	750	830	1000	1333	1667		
100010	10.5x	1x			700	938	872	1050	1397			

**Table 12. MPC7448 Microprocessor PLL Configuration Example (continued)**

PLL_CFG[0:5]	Example Core and VCO Frequency in MHz												
	Bus-to-Core Multiplier <sup>5</sup>	Core-to-VCO Multiplier <sup>5</sup>	Bus (SYSCLK) Frequency										
			33.3 MHz	50 MHz	66.6 MHz	75 MHz	83 MHz	100 MHz	133 MHz	167 MHz	200 MHz		
100110	11x	1x			733	825	913	1100	1467				
000000	11.5x	1x			766	863	955	1150	1533				
101110	12x	1x		600	800	900	996	1200	1600				
111110	12.5x	1x		625	833	938	1038	1250	1667				
010110	13x	1x		650	865	975	1079	1300					
111000	13.5x	1x		675	900	1013	1121	1350					
110010	14x	1x		700	933	1050	1162	1400					
000110	15x	1x		750	1000	1125	1245	1500					
110110	16x	1x		800	1066	1200	1328	1600					
000010	17x	1x		850	1132	1275	1417	1700					
001010	18x	1x	600	900	1200	1350	1500						
001110	20x	1x	667	1000	1332	1500	1666						
010010	21x	1x	700	1050	1399	1575							
011010	24x	1x	800	1200	1600								
111010	28x	1x	933	1400									
001100	PLL bypass		PLL off, SYSCLK clocks core circuitry directly										
111100	PLL off		PLL off, no core clocking occurs										

**Notes:**

1. PLL\_CFG[0:5] settings not listed are reserved.
2. The sample bus-to-core frequencies shown are for reference only. Some PLL configurations may select bus, core, or VCO frequencies which are not useful, not supported, or not tested for by the MPC7448; see [Section 5.2.1, “Clock AC Specifications,”](#) for valid SYSCLK, core, and VCO frequencies.
3. In PLL-bypass mode, the SYSCLK input signal clocks the internal processor directly and the PLL is disabled. However, the bus interface unit requires a 2x clock to function. Therefore, an additional signal, EXT\_QUAL, must be driven at half the frequency of SYSCLK and offset in phase to meet the required input setup  $t_{IVKH}$  and hold time  $t_{IXKH}$  (see [Table 9](#)). The result will be that the processor bus frequency will be one-half SYSCLK, while the internal processor is clocked at SYSCLK frequency. This mode is intended for factory use and emulator tool use only.  
**Note:** The AC timing specifications given in this document do not apply in PLL-bypass mode.
4. In PLL-off mode, no clocking occurs inside the MPC7448 regardless of the SYSCLK input.
5. Applicable when DFS modes are disabled. These multipliers change when operating in a DFS mode. See [Section 9.7.5, “Dynamic Frequency Switching \(DFS\)”](#) for more information.
6. Bus-to-core multipliers less than 5x require that assertion of AACK be delayed by one or two bus cycles to allow the processor to generate a response to a snooped transaction. See the *MPC7450 RISC Microprocessor Reference Manual* for more information.

## 9.1.2 System Bus Clock (SYSCLK) and Spread Spectrum Sources

Spread spectrum clock sources are an increasingly popular way to control electromagnetic interference emissions (EMI) by spreading the emitted noise to a wider spectrum and reducing the peak noise magnitude in order to meet industry and government requirements. These clock sources intentionally add long-term jitter in order to diffuse the EMI spectral content. The jitter specification given in [Table 8](#) considers short-term (cycle-to-cycle) jitter only and the clock generator's cycle-to-cycle output jitter should meet the MPC7448 input cycle-to-cycle jitter requirement. Frequency modulation and spread are separate concerns, and the MPC7448 is compatible with spread spectrum sources if the recommendations listed in [Table 13](#) are observed.

**Table 13. Spread Spectrum Clock Source Recommendations**

At recommended operating conditions. See [Table 4](#).

Parameter	Min	Max	Unit	Notes
Frequency modulation	—	50	kHz	1
Frequency spread	—	1.0	%	1, 2

**Notes:**

1. Guaranteed by design
2. SYSCLK frequencies resulting from frequency spreading, and the resulting core and VCO frequencies, must meet the minimum and maximum specifications given in [Table 8](#).

It is imperative to note that the processor's minimum and maximum SYSCLK, core, and VCO frequencies must not be exceeded regardless of the type of clock source. Therefore, systems in which the processor is operated at its maximum rated core or bus frequency should avoid violating the stated limits by using down-spreading only.

## 9.2 Power Supply Design and Sequencing

The following sections provide detailed information regarding power supply design for the MPC7448.

### 9.2.1 Power Supply Sequencing

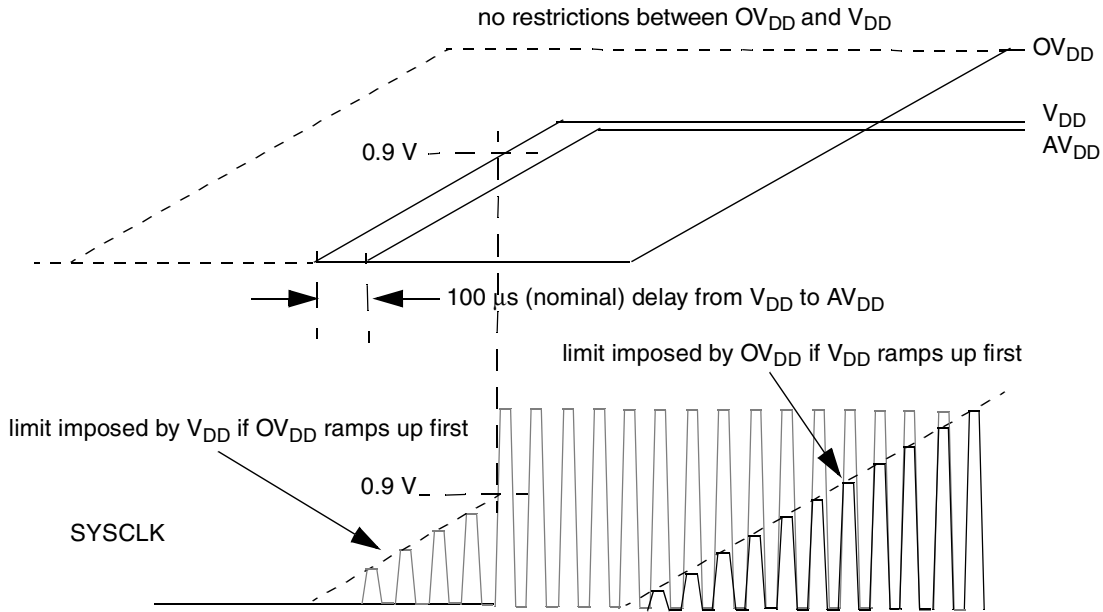
The MPC7448 requires its power rails and clock to be applied in a specific sequence to ensure proper device operation and to prevent device damage. The power sequencing requirements are as follows:

- $AV_{DD}$  must be delayed with respect to  $V_{DD}$  by the RC time constant of the PLL filter circuit described in [Section 9.2.2, "PLL Power Supply Filtering"](#). This time constant is nominally 100  $\mu$ s.
- $OV_{DD}$  may ramp anytime before or after  $V_{DD}$  and  $AV_{DD}$ .

Additionally, the following requirements exist regarding the application of SYSCLK:

- The voltage at the SYSCLK input must not exceed  $V_{DD}$  until  $V_{DD}$  has ramped to 0.9 V.
- The voltage at the SYSCLK input must not exceed  $OV_{DD}$  by more 20% during transients (see overshoot/undershoot specifications in [Figure 2](#)) or 0.3 V DC (see [Table 2](#)) at any time.

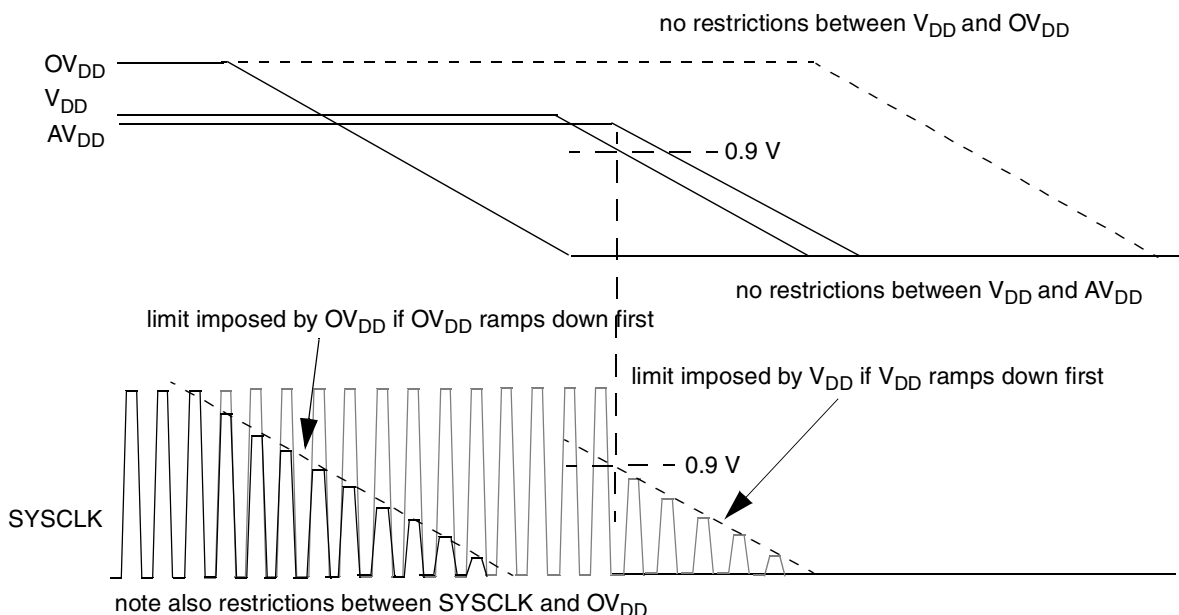
These requirements are shown graphically in [Figure 16](#).



**Figure 16. MPC7448 Power Up Sequencing Requirements**

Certain stipulations also apply to the manner in which the power rails of the MPC7448 power down, as follows:

- $OV_{DD}$  may ramp down any time before or after  $V_{DD}$ .
- The voltage at the SYSCLK input must not exceed  $V_{DD}$  once  $V_{DD}$  has ramped down below 0.9 V.
- The voltage at the SYSCLK input must not exceed  $OV_{DD}$  by more 20% during transients (see overshoot/undershoot specifications in [Figure 2](#)) or 0.3 V DC (see [Table 2](#)) at any time.



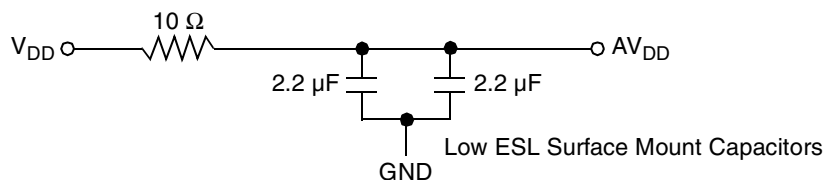
**Figure 17. MPC7448 Power Down Sequencing Requirements**

There is no requirement regarding  $AV_{DD}$  during power down, but it is recommended that  $AV_{DD}$  track  $V_{DD}$  within the RC time constant of the PLL filter circuit described in [Section 9.2.2, “PLL Power Supply Filtering”](#) (nominally 100  $\mu$ s).

## 9.2.2 PLL Power Supply Filtering

The  $AV_{DD}$  power signal is provided on the MPC7448 to provide power to the clock generation PLL. To ensure stability of the internal clock, the power supplied to the  $AV_{DD}$  input signal should be filtered of any noise in the 500-KHz to 10-MHz resonant frequency range of the PLL. The circuit shown in [Figure 18](#) using surface mount capacitors with minimum effective series inductance (ESL) is strongly recommended. In addition to filtering noise from the  $AV_{DD}$  input, it also provides the required delay between  $V_{DD}$  and  $AV_{DD}$  as described in [Section 9.2.1, “Power Supply Sequencing.”](#)

The circuit should be placed as close as possible to the  $AV_{DD}$  pin to minimize noise coupled from nearby circuits. It is often possible to route directly from the capacitors to the  $AV_{DD}$  pin, which is on the periphery of the device footprint.



**Figure 18. PLL Power Supply Filter Circuit**

## 9.2.3 Transient Specifications

To ensure the long-term reliability of the device, the MPC7448 requires that transients on the core power rail ( $V_{DD}$ ) be constrained. The recommended operating voltage specifications provided in [Table 4](#) are DC specifications. That is, the device may be operated continuously with  $V_{DD}$  within the specified range without adversely affecting the device's reliability. Excursions above the stated recommended operation range, including overshoot during power-up, can impact the long-term reliability of the device. Excursions are described by their amplitude and duration. Duration is defined as the time period during which the  $V_{DD}$  power plane, as measured at the VDD\_SENSE pins, will be within a specific voltage range, expressed as percentage of the total time the device will be powered up over the device lifetime. In practice, the period over which transients are measured can be any arbitrary period of time that accurately represents the expected range of processor and system activity. The voltage ranges and durations for normal operation and transients are described in [Table 14](#).

**Table 14. VDD Power Supply Transient Specifications**

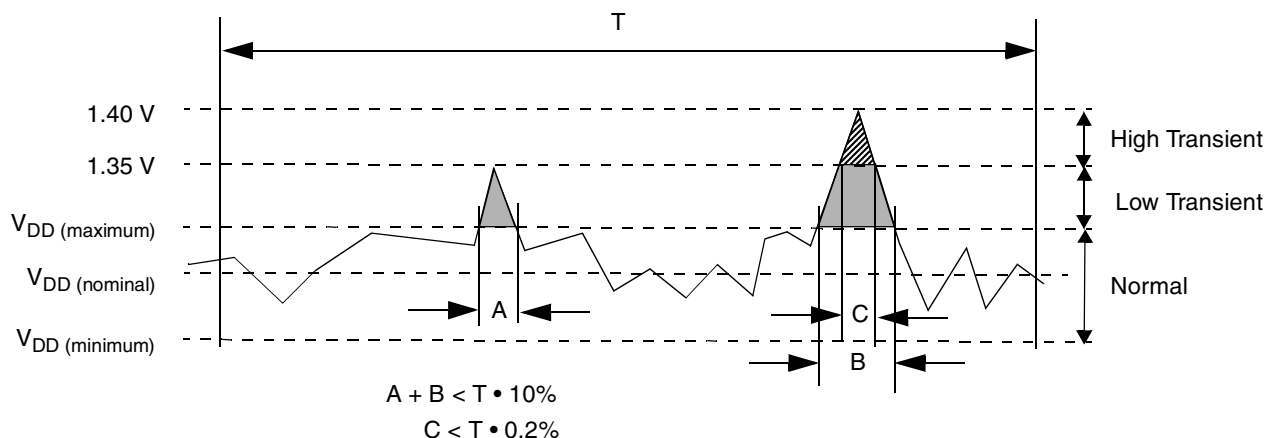
At recommended operating temperatures. See [Table 4](#).

Voltage Region	Voltage Range (V)		Permitted Duration <sup>1</sup>	Notes
	Min	Max		
Normal	$V_{DD}$ minimum	$V_{DD}$ maximum	100%	2
Low Transient	$V_{DD}$ maximum	1.35 V	10%	2, 3
High Transient	1.35 V	1.40 V	0.2%	4

**Notes:**

1. Permitted duration is defined as the percentage of the total time the device is powered on that the  $V_{DD}$  power supply voltage may exist within the specified voltage range.
2. See [Table 4](#) for nominal  $V_{DD}$  specifications.
3. To simplify measurement, excursions into the High Transient region are included in this duration.
4. Excursions above the absolute maximum rating of 1.4 V are not permitted; see [Table 2](#).

Note that, to simplify transient measurements, the duration of the excursion into the High Transient region is also included in the Low Transient duration, so that only the time the voltage is above each threshold must be considered. [Figure 19](#) shows an example of measuring voltage transients.



**Figure 19. Voltage Transient Example**



## 9.2.4 Decoupling Recommendations

Due to the MPC7448 dynamic power management feature, large address and data buses, and high operating frequencies, the MPC7448 can generate transient power surges and high frequency noise in its power supply, especially while driving large capacitive loads. This noise must be prevented from reaching other components in the MPC7448 system, and the MPC7448 itself requires a clean, tightly regulated source of power. Therefore, it is recommended that the system designer use sufficient decoupling capacitors, typically one capacitor for every  $V_{DD}$  pin, and a similar amount for the  $OV_{DD}$  pins, placed as close as possible to the power pins of the MPC7448. It is also recommended that these decoupling capacitors receive their power from separate  $V_{DD}$ ,  $OV_{DD}$ , and GND power planes in the PCB, using short traces to minimize inductance.

These capacitors should have a value of 0.01 or 0.1  $\mu\text{F}$ . Only ceramic surface mount technology (SMT) capacitors should be used to minimize lead inductance. Orientations where connections are made along the length of the part, such as 0204, are preferable but not mandatory. Consistent with the recommendations of Dr. Howard Johnson in *High Speed Digital Design: A Handbook of Black Magic* (Prentice Hall, 1993) and contrary to previous recommendations for decoupling Freescale microprocessors, multiple small capacitors of equal value are recommended over using multiple values of capacitance.

In addition, it is recommended that there be several bulk storage capacitors distributed around the PCB, feeding the  $V_{DD}$  and  $OV_{DD}$  planes, to enable quick recharging of the smaller chip capacitors. These bulk capacitors should have a low equivalent series resistance (ESR) rating to ensure the quick response time necessary. They should also be connected to the power and ground planes through two vias to minimize inductance. Suggested bulk capacitors are 100–330  $\mu\text{F}$  (AVX TPS tantalum or Sanyo OSCON).

## 9.3 Connection Recommendations

To ensure reliable operation, it is highly recommended to connect unused inputs to an appropriate signal level. Unless otherwise noted, unused active low inputs should be tied to  $OV_{DD}$  and unused active high inputs should be connected to GND. All NC (no connect) signals must remain unconnected.

Power and ground connections must be made to all external  $V_{DD}$ ,  $OV_{DD}$ , and GND pins in the MPC7448. For backward compatibility with the MPC7447, MPC7445, and MP7441, or for migrating a system originally designed for one of these devices to the MPC7448, the new power and ground signals (formerly NC, see [Table 11](#)) may be left unconnected if the core frequency is 1 GHz or less. Operation above 1 GHz requires that these additional power and ground signals be connected, and it is strongly recommended that all new designs include the additional connections. See also [Section 7, “Pinout Listings,”](#) for additional information.

The MPC7448 provides  $VDD\_SENSE$ ,  $OVDD\_SENSE$ , and  $GND\_SENSE$  pins. These pins connect directly to the power/ground planes in the device package and are intended to allow an external device to measure the voltage present on the  $V_{DD}$ ,  $OV_{DD}$  and GND planes in the device package. The most common use for these signals is as a feedback signal to a power supply regulator to allow it to compensate for board losses and supply the correct voltage at the device. (Note that all voltage parameters are specified at the pins of the device.) If not used for this purpose, it is recommended that these signals be connected to test points that can be used in the event that an accurate measurement of the voltage at the device is needed during system debug. Otherwise, these signals should be connected to the appropriate power/ground planes on the circuit board or left unconnected.

## 9.4 Output Buffer DC Impedance

The MPC7448 processor bus drivers are characterized over process, voltage, and temperature. To measure  $Z_0$ , an external resistor is connected from the chip pad to  $OV_{DD}$  or GND. The value of each resistor is varied until the pad voltage is  $OV_{DD}/2$ . Figure 20 shows the driver impedance measurement.

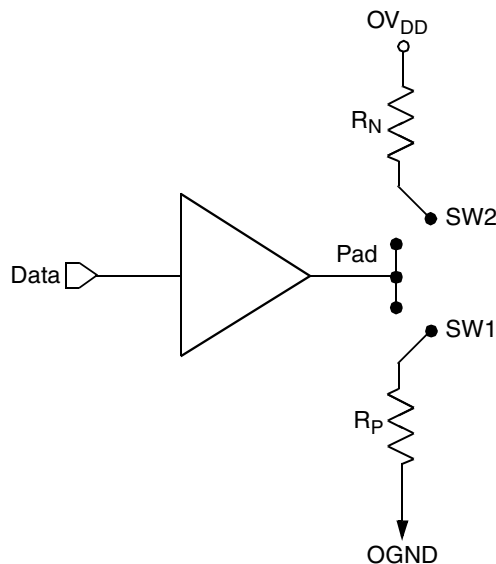


Figure 20. Driver Impedance Measurement

The output impedance is the average of two components—the resistances of the pull-up and pull-down devices. When data is held low, SW2 is closed (SW1 is open), and  $R_N$  is trimmed until the voltage at the pad equals  $OV_{DD}/2$ .  $R_N$  then becomes the resistance of the pull-down devices. When data is held high, SW1 is closed (SW2 is open), and  $R_P$  is trimmed until the voltage at the pad equals  $OV_{DD}/2$ .  $R_P$  then becomes the resistance of the pull-up devices.  $R_P$  and  $R_N$  are designed to be close to each other in value. Then,  $Z_0 = (R_P + R_N)/2$ .

Table 15 summarizes the signal impedance results. The impedance increases with junction temperature and is relatively unaffected by bus voltage.

Table 15. Impedance Characteristics

At recommended operating conditions. See Table 4

Impedance		Processor Bus	Unit
$Z_0$	Typical	33–42	$\Omega$
	Maximum	31–51	$\Omega$

## 9.5 Pull-Up/Pull-Down Resistor Requirements

The MPC7448 requires high-resistive (weak: 4.7-K $\Omega$ ) pull-up resistors on several control pins of the bus interface to maintain the control signals in the negated state after they have been actively negated and released by the MPC7448 or other bus masters. These pins are:  $\overline{TS}$ ,  $\overline{ARTRY}$ ,  $\overline{SHDO}$ , and  $\overline{SHDI}$ .

Some pins designated as being factory test pins must be pulled up to  $OV_{DD}$  or down to GND to ensure proper device operation. The pins that must be pulled up to  $OV_{DD}$  are  $\overline{LSSD\_MODE}$  and TEST[0:3]; the pins that must be pulled down to GND are L1\_TSTCLK and TEST[4]. The CKSTP\_IN signal should

likewise be pulled up through a pull-up resistor (weak or stronger: 4.7–1 K $\Omega$ ) to prevent erroneous assertions of this signal.

In addition, the MPC7448 has one open-drain style output that requires a pull-up resistor (weak or stronger: 4.7–1 K $\Omega$ ) if it is used by the system. This pin is  $\overline{\text{CKSTP\_OUT}}$ .

BVSEL0 and BVSEL1 should not be allowed to float, and should be configured either via pull-up or pull-down resistors or actively driven by external logic. If pull-down resistors are used to configure BVSEL0 or BVSEL1, the resistors should be less than 250  $\Omega$  (see Table 11). Because PLL\_CFG[0:5] must remain stable during normal operation, strong pull-up and pull-down resistors (1 K $\Omega$  or less) are recommended to configure these signals in order to protect against erroneous switching due to ground bounce, power supply noise, or noise coupling.

During inactive periods on the bus, the address and transfer attributes may not be driven by any master and may, therefore, float in the high-impedance state for relatively long periods of time. Because the MPC7448 must continually monitor these signals for snooping, this float condition may cause excessive power draw by the input receivers on the MPC7448 or by other receivers in the system. These signals can be pulled up through weak (10-K $\Omega$ ) pull-up resistors by the system, address bus driven mode enabled (see the *MPC7450 RISC Microprocessor Family Users' Manual* for more information on this mode), or they may be otherwise driven by the system during inactive periods of the bus to avoid this additional power draw. Preliminary studies have shown the additional power draw by the MPC7448 input receivers to be negligible and, in any event, none of these measures are necessary for proper device operation. The snooped address and transfer attribute inputs are: A[0:35], AP[0:4], TT[0:4],  $\overline{\text{CI}}$ ,  $\overline{\text{WT}}$ , and  $\overline{\text{GBL}}$ .

If address or data parity is not used by the system, and respective parity checking is disabled through HID1, the input receivers for those pins are disabled and do not require pull-up resistors, therefore they may be left unconnected by the system. If extended addressing is not used (HID0[XAEN] = 0), A[0:3] are unused and must be pulled low to GND through weak pull-down resistors; additionally, if address parity checking is enabled (HID1[EBA] = 1) and extended addressing is not used, AP[0] must be pulled up to OV<sub>DD</sub> through a weak pull-up resistor. If the MPC7448 is in 60x bus mode, DTI[0:3] must be pulled low to GND through weak pull-down resistors.

The data bus input receivers are normally turned off when no read operation is in progress and, therefore, do not require pull-up resistors on the bus. Other data bus receivers in the system, however, may require pull-ups or require that those signals be otherwise driven by the system during inactive periods. The data bus signals are D[0:63] and DP[0:7].

## 9.6 JTAG Configuration Signals

Boundary-scan testing is enabled through the JTAG interface signals. The  $\overline{\text{TRST}}$  signal is optional in the IEEE 1149.1 standard specification, but is typically provided on all processors that implement the PowerPC architecture. While it is possible to force the TAP controller to the reset state using only the TCK and TMS signals, more reliable power-on reset performance will be obtained if the  $\overline{\text{TRST}}$  signal is asserted during power-on reset. Because the JTAG interface is also used for accessing the common on-chip processor (COP) function, simply tying  $\overline{\text{TRST}}$  to  $\overline{\text{HRESET}}$  is not practical.

The COP function of these processors allows a remote computer system (typically a PC with dedicated hardware and debugging software) to access and control the internal operations of the processor. The COP interface connects primarily through the JTAG port of the processor, with some additional status monitoring signals. The COP port requires the ability to independently assert  $\overline{\text{HRESET}}$  or  $\overline{\text{TRST}}$  in order

to fully control the processor. If the target system has independent reset sources, such as voltage monitors, watchdog timers, power supply failures, or push-button switches, then the COP reset signals must be merged into these signals with logic.

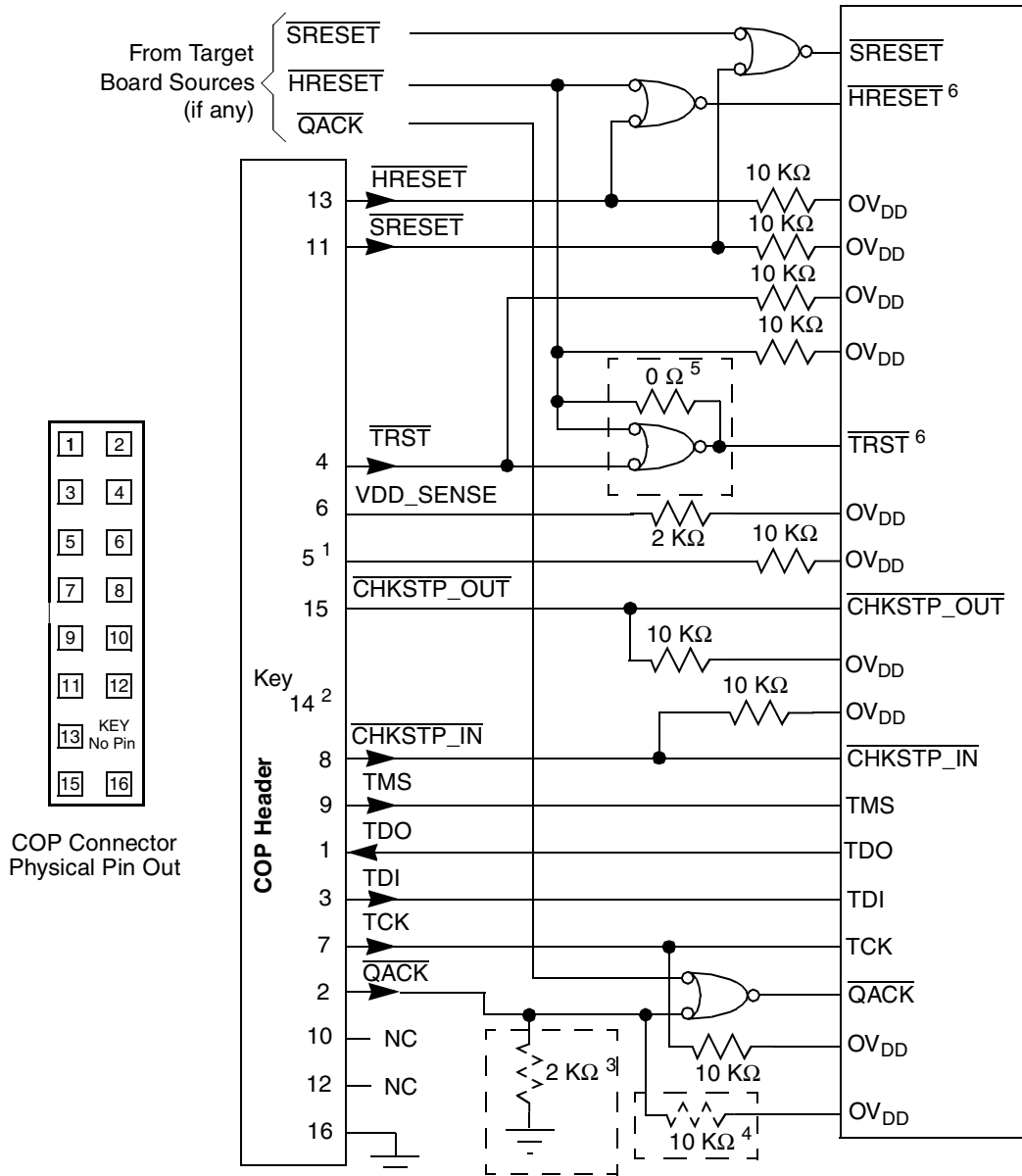
The arrangement shown in [Figure 21](#) allows the COP port to independently assert  $\overline{\text{HRESET}}$  or  $\overline{\text{TRST}}$ , while ensuring that the target can drive  $\overline{\text{HRESET}}$  as well. If the JTAG interface and COP header will not be used,  $\overline{\text{TRST}}$  should be tied to  $\overline{\text{HRESET}}$  through a 0- $\Omega$  isolation resistor so that it is asserted when the system reset signal ( $\overline{\text{HRESET}}$ ) is asserted, ensuring that the JTAG scan chain is initialized during power-on. Although Freescale recommends that the COP header be designed into the system as shown in [Figure 21](#), if this is not possible, the isolation resistor will allow future access to  $\overline{\text{TRST}}$  in the case where a JTAG interface may need to be wired onto the system in debug situations.

The COP header shown in [Figure 21](#) adds many benefits—breakpoints, watchpoints, register and memory examination/modification, and other standard debugger features are possible through this interface—and can be as inexpensive as an unpopulated footprint for a header to be added when needed.

The COP interface has a standard header for connection to the target system, based on the 0.025" square-post, 0.100" centered header assembly (often called a Berg header). The connector typically has pin 14 removed as a connector key.

There is no standardized way to number the COP header shown in [Figure 21](#); consequently, many different pin numbers have been observed from emulator vendors. Some are numbered top-to-bottom then left-to-right, while others use left-to-right then top-to-bottom, while still others number the pins counter clockwise from pin 1 (as with an IC). Regardless of the numbering, the signal placement recommended in [Figure 21](#) is common to all known emulators.

The  $\overline{\text{QACK}}$  signal shown in [Figure 21](#) is usually connected to the bridge chip or other system control logic in a system and is an input to the MPC7448 informing it that it can go into the quiescent state. Under normal operation this occurs during a low-power mode selection. In order for COP to work, the MPC7448 must see this signal asserted (pulled down). While shown on the COP header, not all emulator products drive this signal. If the product does not, a pull-down resistor can be populated to assert this signal. Additionally, some emulator products implement open-drain type outputs and can only drive  $\overline{\text{QACK}}$  asserted; for these tools, a pull-up resistor can be implemented to ensure this signal is negated when it is not being driven by the tool. Note that the pull-up and pull-down resistors on the  $\overline{\text{QACK}}$  signal are mutually exclusive and it is never necessary to populate both in a system. To preserve correct power-down operation,  $\overline{\text{QACK}}$  should be merged through logic so that it also can be driven by the bridge or system logic.


**Notes:**

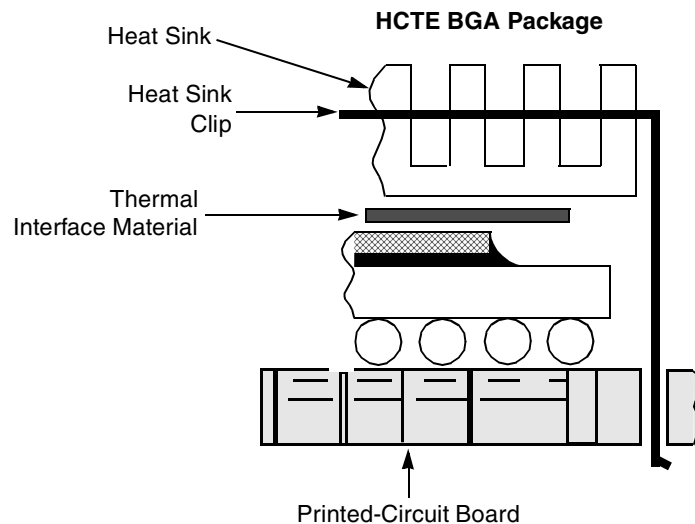
1. RUN/STOP, normally found on pin 5 of the COP header, is not implemented on the MPC7448. Connect pin 5 of the COP header to  $OV_{DD}$  with a 10-K $\Omega$  pull-up resistor.
2. Key location; pin 14 is not physically present on the COP header.
3. Component not populated. Populate only if debug tool does not drive  $\overline{QACK}$ .
4. Populate only if debug tool uses an open-drain type output and does not actively negate  $\overline{QACK}$ .
5. If the JTAG interface is implemented, connect  $\overline{HRESET}$  from the target source to  $\overline{TRST}$  from the COP header through an AND gate to  $\overline{TRST}$  of the part. If the JTAG interface is not implemented, connect  $\overline{HRESET}$  from the target source to  $\overline{TRST}$  of the part through a 0- $\Omega$  isolation resistor.
6. The COP port and target board should be able to independently assert  $\overline{HRESET}$  and  $\overline{TRST}$  to the processor in order to fully control the processor as shown above.

**Figure 21. JTAG Interface Connection**

## 9.7 Power and Thermal Management Information

This section provides thermal management information for the high coefficient of thermal expansion (HCTE) package for air-cooled applications. Proper thermal control design is primarily dependent on the system-level design—the heat sink, airflow, and thermal interface material. The MPC7448 implements several features designed to assist with thermal management, including DFS and the temperature diode. DFS reduces the power consumption of the device by reducing the core frequency; see [Section 9.7.5.1, “Power Consumption with DFS Enabled,”](#) for specific information regarding power reduction and DFS. The temperature diode allows an external device to monitor the die temperature in order to detect excessive temperature conditions and alert the system; see [Section 9.7.4, “Temperature Diode,”](#) for more information.

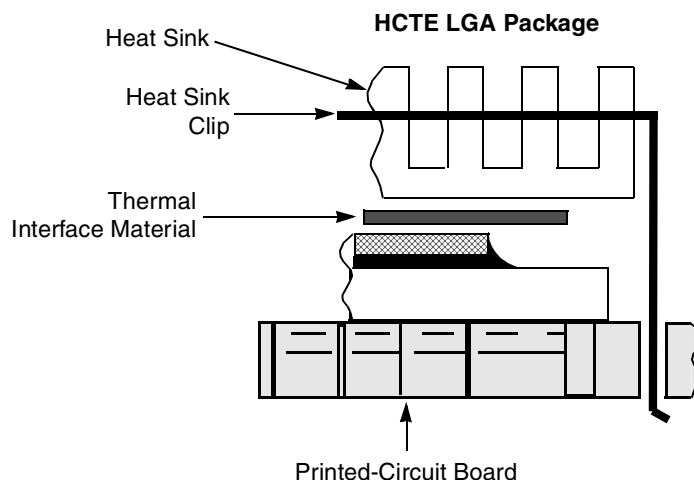
To reduce the die-junction temperature, heat sinks may be attached to the package by several methods—spring clip to holes in the printed-circuit board or package, and mounting clip and screw assembly (see [Figure 22](#)); however, due to the potential large mass of the heat sink, attachment through the printed-circuit board is suggested. In any implementation of a heat sink solution, the force on the die should not exceed ten pounds (45 Newtons).



**Figure 22. BGA Package Exploded Cross-Sectional View with Several Heat Sink Options**

**NOTE**

A clip on heat sink is not recommended for LGA because there may not be adequate clearance between the device and the circuit board. A through-hole solution is recommended, as shown in [Figure 23](#).



**Figure 23. LGA Package Exploded Cross-Sectional View with Several Heat Sink Options**

There are several commercially-available heat sinks for the MPC7448 provided by the following vendors:

Aavid Thermalloy 80 Commercial St. Concord, NH 03301 Internet: <a href="http://www.aavidthermalloy.com">www.aavidthermalloy.com</a>	603-224-9988
Alpha Novatech 473 Sapena Ct. #12 Santa Clara, CA 95054 Internet: <a href="http://www.alphanovatech.com">www.alphanovatech.com</a>	408-567-8082
Calgreg Thermal Solutions 60 Alhambra Road, Suite 1 Warwick, RI 02886 Internet: <a href="http://www.calgregthermalsolutions.com">www.calgregthermalsolutions.com</a>	888-732-6100
International Electronic Research Corporation (IERC) 413 North Moss St. Burbank, CA 91502 Internet: <a href="http://www.ctscorp.com">www.ctscorp.com</a>	818-842-7277
Tyco Electronics Chip Coolers™ P.O. Box 3668 Harrisburg, PA 17105-3668 Internet: <a href="http://www.tycoelectronics.com">www.tycoelectronics.com</a>	800-522-6752
Wakefield Engineering 33 Bridge St. Pelham, NH 03076 Internet: <a href="http://www.wakefield.com">www.wakefield.com</a>	603-635-2800

Ultimately, the final selection of an appropriate heat sink depends on many factors, such as thermal performance at a given air velocity, spatial volume, mass, attachment method, assembly, and cost.

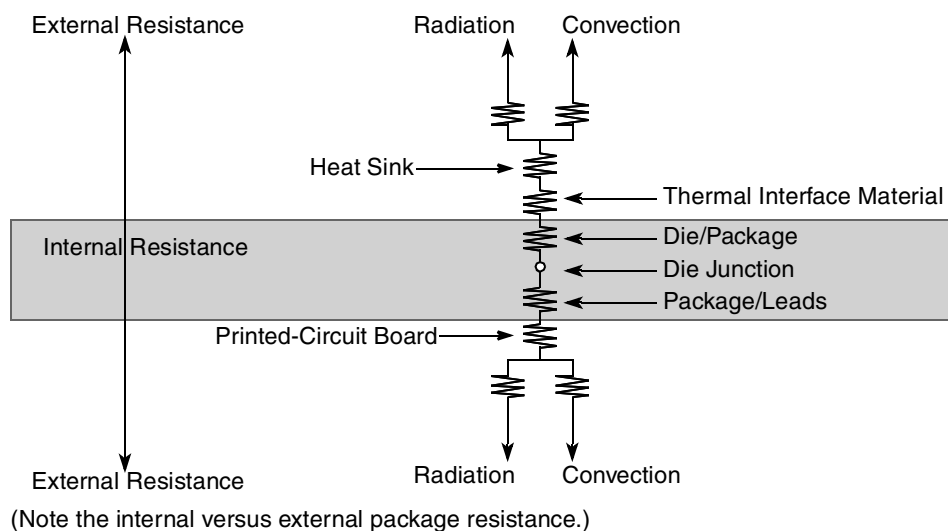


## 9.7.1 Internal Package Conduction Resistance

For the exposed-die packaging technology described in Table 5, the intrinsic conduction thermal resistance paths are as follows:

- The die junction-to-case thermal resistance (the case is actually the top of the exposed silicon die)
- The die junction-to-board thermal resistance

Figure 24 depicts the primary heat transfer path for a package with an attached heat sink mounted to a printed-circuit board.



**Figure 24. C4 Package with Heat Sink Mounted to a Printed-Circuit Board**

Heat generated on the active side of the chip is conducted through the silicon, through the heat sink attach material (or thermal interface material), and, finally, to the heat sink, where it is removed by forced-air convection.

Because the silicon thermal resistance is quite small, the temperature drop in the silicon may be neglected for a first-order analysis. Thus, the thermal interface material and the heat sink conduction/convective thermal resistances are the dominant terms.

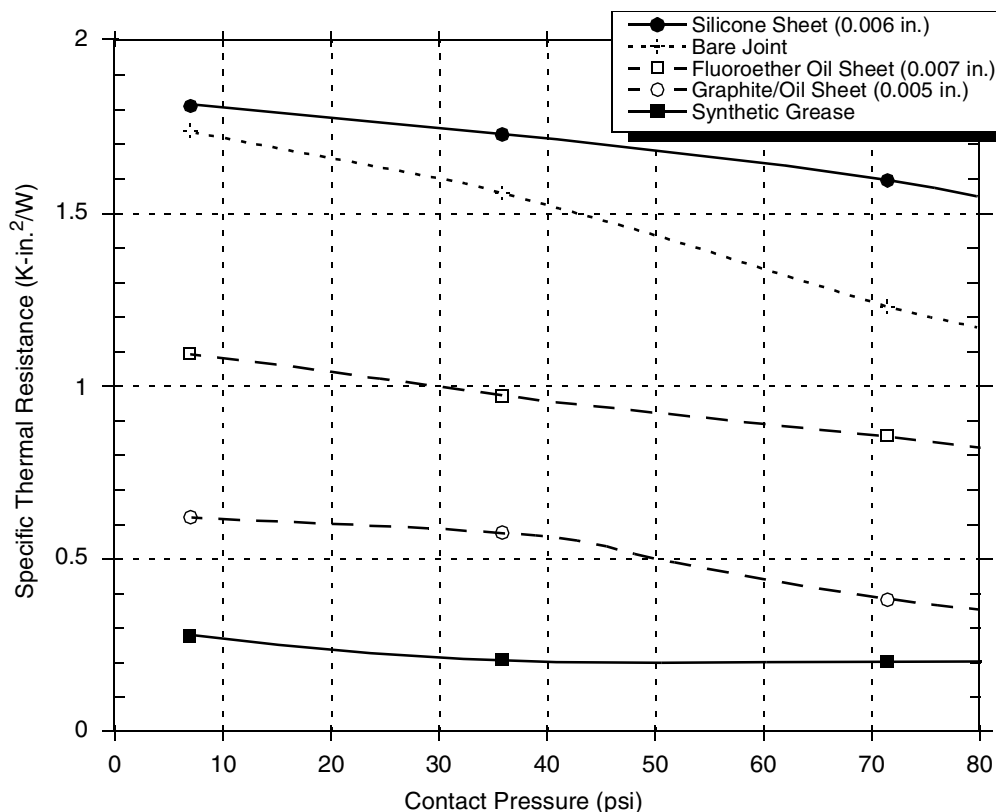
## 9.7.2 Thermal Interface Materials

A thermal interface material is recommended at the package lid-to-heat sink interface to minimize the thermal contact resistance. For those applications where the heat sink is attached by spring clip mechanism, Figure 25 shows the thermal performance of three thin-sheet thermal-interface materials (silicone, graphite/oil, fluoroether oil), a bare joint, and a joint with thermal grease as a function of contact pressure. As shown, the performance of these thermal interface materials improves with increasing contact pressure. The use of thermal grease significantly reduces the interface thermal resistance. That is, the bare joint results in a thermal resistance approximately seven times greater than the thermal grease joint.

Often, heat sinks are attached to the package by means of a spring clip to holes in the printed-circuit board (see Figure 22). Therefore, synthetic grease offers the best thermal performance due to the low interface pressure and is recommended due to the high power dissipation of the MPC7448. Of course, the selection



of any thermal interface material depends on many factors—thermal performance requirements, manufacturability, service temperature, dielectric properties, cost, and so on.



**Figure 25. Thermal Performance of Select Thermal Interface Material**

The board designer can choose between several types of thermal interfaces. Heat sink adhesive materials should be selected based on high conductivity and mechanical strength to meet equipment shock/vibration requirements. There are several commercially available thermal interfaces and adhesive materials provided by the following vendors:

The Bergquist Company 800-347-4572  
 18930 West 78<sup>th</sup> St.  
 Chanhassen, MN 55317  
 Internet: [www.bergquistcompany.com](http://www.bergquistcompany.com)

Chomerics, Inc. 781-935-4850  
 77 Dragon Ct.  
 Woburn, MA 01801  
 Internet: [www.chomerics.com](http://www.chomerics.com)

Dow-Corning Corporation 800-248-2481  
 Corporate Center  
 P.O. Box 994.  
 Midland, MI 48686-0994  
 Internet: [www.dowcorning.com](http://www.dowcorning.com)

Shin-Etsu MicroSi, Inc. 888-642-7674  
 10028 S. 51st St.  
 Phoenix, AZ 85044  
 Internet: www.microsi.com

Laird Technologies - Thermal 888-246-905  
 (formerly Thermagon Inc.)  
 4707 Detroit Ave.  
 Cleveland, OH 44102  
 Internet: www.lairdtech.com

The following section provides a heat sink selection example using one of the commercially available heat sinks.

### 9.7.3 Heat Sink Selection Example

For preliminary heat sink sizing, the die-junction temperature can be expressed as follows:

$$T_j = T_i + T_r + (R_{\theta JC} + R_{\theta int} + R_{\theta sa}) \times P_d$$

where:

- $T_j$  is the die-junction temperature
- $T_i$  is the inlet cabinet ambient temperature
- $T_r$  is the air temperature rise within the computer cabinet
- $R_{\theta JC}$  is the junction-to-case thermal resistance
- $R_{\theta int}$  is the adhesive or interface material thermal resistance
- $R_{\theta sa}$  is the heat sink base-to-ambient thermal resistance
- $P_d$  is the power dissipated by the device

During operation, the die-junction temperatures ( $T_j$ ) should be maintained less than the value specified in [Table 4](#). The temperature of air cooling the component greatly depends on the ambient inlet air temperature and the air temperature rise within the electronic cabinet. An electronic cabinet inlet-air temperature ( $T_i$ ) may range from 30°C to 40°C. The air temperature rise within a cabinet ( $T_r$ ) may be in the range of 5°C to 10°C. The thermal resistance of the thermal interface material ( $R_{\theta int}$ ) is typically about 1.1 °C/W. For example, assuming a  $T_i$  of 30°C, a  $T_r$  of 5°C, an HCTE package  $R_{\theta JC} = 0.1$ , and a power consumption ( $P_d$ ) of 25.6 W, the following expression for  $T_j$  is obtained:

Die-junction temperature:  $T_j = 30^\circ\text{C} + 5^\circ\text{C} + (0.1^\circ\text{C/W} + 1.1^\circ\text{C/W} + \theta_{sa}) \times 25.6$

For this example, a  $R_{\theta sa}$  value of 1.53 °C/W or less is required to maintain the die junction temperature below the maximum value of [Table 4](#).

Though the die junction-to-ambient and the heat sink-to-ambient thermal resistances are a common figure-of-merit used for comparing the thermal performance of various microelectronic packaging technologies, one should exercise caution when only using this metric in determining thermal management because no single parameter can adequately describe three-dimensional heat flow. The final die-junction operating temperature is not only a function of the component-level thermal resistance, but the system-level design and its operating conditions. In addition to the component's power consumption, a number of factors affect the final operating die-junction temperature—airflow, board population (local heat flux of adjacent components), heat sink efficiency, heat sink attach, heat sink placement, next-level interconnect technology, system air temperature rise, altitude, and so on.

Due to the complexity and variety of system-level boundary conditions for today's microelectronic equipment, the combined effects of the heat transfer mechanisms (radiation, convection, and conduction) may vary widely. For these reasons, we recommend using conjugate heat transfer models for the board as well as system-level designs.

For system thermal modeling, the MPC7448 thermal model is shown in Figure 26. Four volumes represent this device. Two of the volumes, solder ball-air and substrate, are modeled using the package outline size of the package. The other two, die and bump-underfill, have the same size as the die. The silicon die should be modeled  $8.0 \times 7.3 \times 0.86 \text{ mm}^3$  with the heat source applied as a uniform source at the bottom of the volume. The bump and underfill layer is modeled as  $8.0 \times 7.3 \times 0.07 \text{ mm}^3$  collapsed in the z-direction with a thermal conductivity of  $5.0 \text{ W}/(\text{m} \cdot \text{K})$  in the z-direction. The substrate volume is  $25 \times 25 \times 1.14 \text{ mm}^3$  and has  $9.9 \text{ W}/(\text{m} \cdot \text{K})$  isotropic conductivity in the xy-plane and  $2.95 \text{ W}/(\text{m} \cdot \text{K})$  in the direction of the z-axis. The solder ball and air layer are modeled with the same horizontal dimensions as the substrate and is  $0.8 \text{ mm}$  thick. For the LGA package the solder and air layer is  $0.1 \text{ mm}$  thick, but the material properties are the same. It can also be modeled as a collapsed volume using orthotropic material properties:  $0.034 \text{ W}/(\text{m} \cdot \text{K})$  in the xy-plane direction and  $11.2 \text{ W}/(\text{m} \cdot \text{K})$  in the direction of the z-axis.

Conductivity	Value	Unit
<b>Die (<math>8.0 \times 7.3 \times 0.86 \text{ mm}^3</math>)</b>		
Silicon	Temperature-dependent	$\text{W}/(\text{m} \cdot \text{K})$
<b>Bump and Underfill (<math>8.0 \times 7.3 \times 0.07 \text{ mm}^3</math>)</b>		
$k_z$	5.0	$\text{W}/(\text{m} \cdot \text{K})$
<b>Substrate (<math>25 \times 25 \times 1.14 \text{ mm}^3</math>)</b>		
$k_x$	9.9	$\text{W}/(\text{m} \cdot \text{K})$
$k_y$	9.9	
$k_z$	2.95	
<b>Solder Ball and Air (<math>25 \times 25 \times 0.8 \text{ mm}^3</math>)</b>		
$k_x$	0.034	$\text{W}/(\text{m} \cdot \text{K})$
$k_y$	0.034	
$k_z$	11.2	

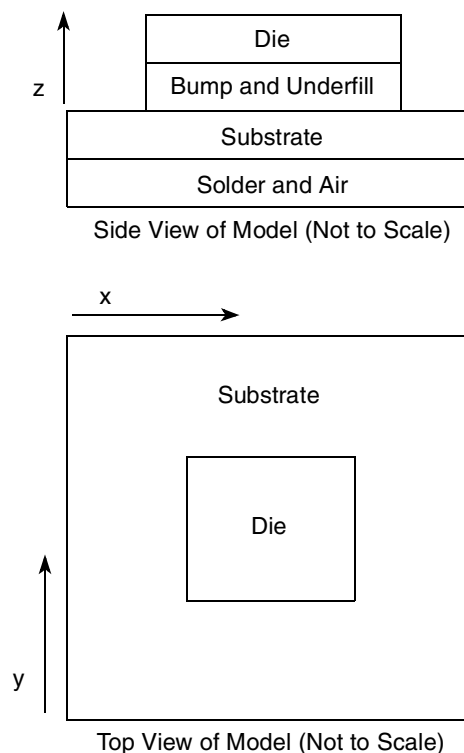


Figure 26. Recommended Thermal Model of MPC7448

## 9.7.4 Temperature Diode

The MPC7448 has a temperature diode on the microprocessor that can be used in conjunction with other system temperature monitoring devices (such as Analog Devices, ADT7461™). These devices use the negative temperature coefficient of a diode operated at a constant current to determine the temperature of the microprocessor and its environment. For proper operation, the monitoring device used should auto-calibrate the device by canceling out the  $V_{BE}$  variation of each MPC7448's internal diode.

The following are the specifications of the MPC7448 on-board temperature diode:

$$V_f > 0.40 \text{ V}$$

$$V_f < 0.90 \text{ V}$$

Operating range 2–300  $\mu\text{A}$

Diode leakage < 10 nA @ 125°C

Ideality factor over 5–150  $\mu\text{A}$  at 60°C:  $n = 1.0275 \pm 0.9\%$

Ideality factor is defined as the deviation from the ideal diode equation:

$$I_{fw} = I_s \left[ e^{\frac{qV_f}{nKT}} - 1 \right]$$

Another useful equation is:

$$V_H - V_L = n \frac{KT}{q} \left[ \ln \frac{I_H}{I_L} \right] - 1$$

Where:

$I_{fw}$  = Forward current

$I_s$  = Saturation current

$V_d$  = Voltage at diode

$V_f$  = Voltage forward biased

$V_H$  = Diode voltage while  $I_H$  is flowing

$V_L$  = Diode voltage while  $I_L$  is flowing

$I_H$  = Larger diode bias current

$I_L$  = Smaller diode bias current

$q$  = Charge of electron ( $1.6 \times 10^{-19}$  C)

$n$  = Ideality factor (normally 1.0)

$K$  = Boltzman's constant ( $1.38 \times 10^{-23}$  Joules/K)

$T$  = Temperature (Kelvins)

The ratio of  $I_H$  to  $I_L$  is usually selected to be 10:1. The previous equation simplifies to the following:

$$V_H - V_L = 1.986 \times 10^{-4} \times nT$$

Solving for T, the equation becomes:

$$nT = \frac{V_H - V_L}{1.986 \times 10^{-4}}$$

## 9.7.5 Dynamic Frequency Switching (DFS)

The DFS feature in the MPC7448 adds the ability to divide the processor-to-system bus ratio by two or four during normal functional operation. Divide-by-two mode is enabled by setting the HID1[DFS2] bit in software or by asserting the  $\overline{\text{DFS2}}$  pin via hardware. The MPC7448 can be returned for full speed by clearing HID1[DFS2] or negating  $\overline{\text{DFS2}}$ . Similarly, divide-by-four mode is enabled by setting HID1[DFS4] in software or by asserting the  $\overline{\text{DFS4}}$  pin. In all cases, the frequency change occurs in 1 clock cycle and no idle waiting period is required to switch between modes. Note that asserting either  $\overline{\text{DFS2}}$  or  $\overline{\text{DFS4}}$  overrides software control of DFS, and that asserting both  $\overline{\text{DFS2}}$  and  $\overline{\text{DFS4}}$  disables DFS completely, including software control. Additional information regarding DFS can be found in the *MPC7450 RISC Microprocessor Family Reference Manual*. Note that minimum core frequency requirements must be observed when enabling DFS, and the resulting core frequency must meet the requirements for  $f_{\text{core\_DFS}}$  given in [Table 8](#).

### 9.7.5.1 Power Consumption with DFS Enabled

Power consumption with DFS enabled can be approximated using the following formula:

$$P_{\text{DFS}} = \left[ \frac{f_{\text{DFS}}}{f} (P - P_{\text{DS}}) \right] + P_{\text{DS}}$$

Where:

$P_{\text{DFS}}$  = Power consumption with DFS enabled

$f_{\text{DFS}}$  = Core frequency with DFS enabled

$f$  = Core frequency prior to enabling DFS

$P$  = Power consumption prior to enabling DFS (see [Table 7](#))

$P_{\text{DS}}$  = Deep sleep mode power consumption (see [Table 7](#))

The above is an approximation only. Power consumption with DFS enabled is not tested or guaranteed.

### 9.7.5.2 Bus-to-Core Multiplier Constraints with DFS

DFS is not available for all bus-to-core multipliers as configured by PLL\_CFG[0:5] during hard reset. The complete listing is shown in [Table 16](#). Shaded cells represent DFS modes that are not available for a particular PLL\_CFG[0:5] setting. Should software or hardware attempt to transition to a multiplier that is not supported, the device will remain at its current multiplier. For example, if a transition from DFS-disabled to an unsupported divide-by-2 or divide-by-4 setting is attempted, the bus-to-core multiplier will remain at the setting configured by the PLL\_CFG[0:5] pins. In the case of an attempted transition from a supported divide-by-2 mode to an unsupported divide-by-4 mode, the device will remain in divide-by-2 mode. In all cases, the HID1[PC0-5] bits will correctly reflect the current bus-to-core frequency multiplier.

Table 16. Valid Divide Ratio Configurations

DFS mode disabled		DFS divide-by-2 mode enabled (HID1[DFS2] = 1 or DFS2 = 0)		DFS divide-by-4 mode enabled (HID1[DFS4] = 1 or DFS4 = 0)	
Bus-to-Core Multiplier Configured by PLL_CFG[0:5] (see Table 12)	HID1[PC0-5] <sup>3</sup>	Bus-to-Core Multiplier	HID1[PC0-5] <sup>3</sup>	Bus-to-Core Multiplier	HID1[PC0-5] <sup>3</sup>
2x <sup>4</sup>	010000	N/A (unchanged) <sup>1</sup>	unchanged <sup>1</sup>	N/A (unchanged) <sup>1</sup>	unchanged <sup>1</sup>
3x <sup>4</sup>	100000	N/A (unchanged) <sup>1</sup>	unchanged <sup>1</sup>	N/A (unchanged) <sup>1</sup>	unchanged <sup>1</sup>
4x <sup>4</sup>	101000	2x <sup>4</sup>	010000	N/A (unchanged) <sup>1</sup>	unchanged <sup>1</sup>
5x	101100	2.5x <sup>4</sup>	010101	N/A (unchanged) <sup>1</sup>	unchanged <sup>1</sup>
5.5x	100100	2.75x <sup>4</sup>	110101 <sup>2</sup>	N/A (unchanged) <sup>1</sup>	unchanged <sup>1</sup>
6x	110100	3x <sup>4</sup>	100000	N/A (unchanged) <sup>1</sup>	unchanged <sup>1</sup>
6.5x	010100	3.25x <sup>4</sup>	100000 <sup>2</sup>	N/A (unchanged) <sup>1</sup>	unchanged <sup>1</sup>
7x	001000	3.5x <sup>4</sup>	110101	N/A (unchanged) <sup>1</sup>	unchanged <sup>1</sup>
7.5x	000100	3.75x <sup>4</sup>	110101 <sup>2</sup>	N/A (unchanged) <sup>1</sup>	unchanged <sup>1</sup>
8x	110000	4x <sup>4</sup>	101000 <sup>4</sup>	2x <sup>4</sup>	010000
8.5x	011000	4.25x <sup>4</sup>	101000 <sup>2</sup>	N/A (unchanged) <sup>1</sup>	unchanged <sup>1</sup>
9x	011110	4.5x <sup>4</sup>	011101	2.25x <sup>4</sup>	010000 <sup>2</sup>
9.5x	011100	4.75x <sup>4</sup>	011101 <sup>2</sup>	N/A (unchanged) <sup>1</sup>	unchanged <sup>1</sup>
10x	101010	5x	101100	2.5x <sup>4</sup>	010101
10.5x	100010	5.25x	101100 <sup>2</sup>	N/A (unchanged) <sup>1</sup>	unchanged <sup>1</sup>
11x	100110	5.5x	100100	2.75x <sup>4</sup>	010101 <sup>2</sup>
11.5x	000000	5.75x	100100 <sup>2</sup>	N/A (unchanged) <sup>1</sup>	unchanged <sup>1</sup>
12x	101110	6x	110100	3x <sup>4</sup>	100000
12.5x	111110	6.25x	110100 <sup>2</sup>	N/A (unchanged) <sup>1</sup>	unchanged <sup>1</sup>
13x	010110	6.5x	010100	3.25x <sup>4</sup>	100000 <sup>2</sup>
13.5x	111000	6.75	010100 <sup>2</sup>	N/A (unchanged) <sup>1</sup>	unchanged <sup>1</sup>
14x	110010	7x	001000	3.5x <sup>4</sup>	110101
15x	000110	7.5x	000100	3.75x <sup>4</sup>	110101 <sup>2</sup>
16x	110110	8x	110000	4x <sup>4</sup>	101000
17x	000010	8.5x	011000	4.25x <sup>4</sup>	101000 <sup>2</sup>
18x	001010	9x	011110	4.5x <sup>4</sup>	011101
20x	001110	10x	101010	5x	101100
21x	010010	10.5x	100010	5.25x	101100 <sup>2</sup>

**Table 16. Valid Divide Ratio Configurations (continued)**

DFS mode disabled		DFS divide-by-2 mode enabled (HID1[DFS2] = 1 or $\overline{\text{DFS2}} = 0$ )		DFS divide-by-4 mode enabled (HID1[DFS4] = 1 or $\overline{\text{DFS4}} = 0$ )	
Bus-to-Core Multiplier Configured by PLL_CFG[0:5] (see Table 12)	HID1[PC0-5] <sup>3</sup>	Bus-to-Core Multiplier	HID1[PC0-5] <sup>3</sup>	Bus-to-Core Multiplier	HID1[PC0-5] <sup>3</sup>
24x	011010	12x	101110	6x	110100
28x	111010	14x	110010	7x	001000

**Notes:**

- DFS mode is not supported for this combination of DFS mode and PLL\_CFG[0:5] setting. As a result, the processor will ignore these settings and remain at the previous multiplier, as reflected by the HID1[PC0-PC5] bits.
- Though supported by the MPC7448 clock circuitry, multipliers of  $n.25x$  and  $n.75x$  cannot be expressed as valid PLL configuration codes. As a result, the values displayed in HID1[PC0-PC5] are rounded down to the nearest valid PLL configuration code. However, the actual bus-to-core multiplier is as stated in this table.
- Note that in the HID1 register of the MPC7448, the PC0, PC1, PC2, PC3, PC4, and PC5 bits are bits 15, 16, 17, 18, 19, and 14 (respectively). See the *MPC7450 RISC Microprocessor Reference Manual* for more information.
- Special considerations regarding snooped transactions must be observed for bus-to-core multipliers less than 5x. See the *MPC7450 RISC Microprocessor Reference Manual* for more information.

### 9.7.5.3 Minimum Core Frequency Requirements with DFS

In many systems, enabling DFS can result in very low processor core frequencies. However, care must be taken to ensure that the resulting processor core frequency is within the limits specified in Table 8. Proper operation of the device is not guaranteed at core frequencies below the specified minimum  $f_{\text{core}}$ .

## 10 Document Revision History

Table 17 provides a revision history for this hardware specification.

**Table 17. Document Revision History**

Revision	Date	Substantive Change(s)
4	3/2007	Table 19: Added 800 MHz processor frequency.
3	10/2006	Section 9.7, "Power and Thermal Management Information": Updated contact information. Table 18, Table 20, and Table 19: Added Revision D PVR. Table 19: Added 600 processor frequency, additional product codes, date codes for 1400 processor frequency, and footnotes 1 and 2. Table 20: Added PPC product code and footnote 1. Table 19 and Table 20: Added Revision D information for 1267 processor frequency.

**Table 17. Document Revision History (continued)**

Revision	Date	Substantive Change(s)
2		<p>Table 6: Added separate input leakage specification for <math>\overline{\text{BVSEL0}}</math>, <math>\overline{\text{LSSD\_MODE}}</math>, <math>\overline{\text{TCK}}</math>, <math>\overline{\text{TDI}}</math>, <math>\overline{\text{TMS}}</math>, <math>\overline{\text{TRST}}</math> signals to correctly indicate leakage current for signals with internal pull-up resistors.</p> <p>Section 5.1: Added paragraph preceding Table 7 and edited notes in Table 7 to clarify core frequencies at which power consumption is measured.</p> <p>Section 5.3: Removed voltage derating specifications; this feature has been made redundant by new device offerings and is no longer supported.</p> <p>Changed names of “Typical–Nominal” and “Typical–Thermal” power consumption parameters to “Typical” and “Thermal”, respectively. (Name change only—no specifications were changed.)</p> <p>Table 11: Revised Notes 16, 18, and 19 to reflect current recommendations for connection of SENSE pins.</p> <p>Section 9.3: Added paragraph explaining connection recommendations for SENSE pins. (See also Table 11 entry above.)</p> <p>Table 19: Updated table to reflect changes in specifications for MC7448xxnnnnNC devices.</p> <p>Table 9: Changed all instances of TT[0:3] to TT[0:4]</p> <p>Removed mention of these input signals from output valid times and output hold times:</p> <ul style="list-style-type: none"> <li>• AACK, CKSTP_IN, DT[0:3]</li> </ul> <p>Figure 17: Modified diagram slightly to correctly show constraint on SYSCLK ramping is related to <math>V_{\text{DD}}</math> voltage, not <math>AV_{\text{DD}}</math> voltage. (Diagram clarification only; no change in power sequencing requirements.)</p> <p>Added Table 20 to reflect introduction of extended temperature devices and associated hardware specification addendum.</p>
1		<p>Added 1600 MHz, 1420 MHz, and 1000 MHz devices</p> <p>Section 4: corrected die size</p> <p>Table 2: Revised Note 4 to consider overshoot/undershoot and combined with Note 5.</p> <p>Table 4: Revised operating voltage for 1700 MHz device from <math>\pm 50</math> mV to +20 mV / –50 mV.</p> <p>Table 7: Updated and expanded table to include Typical – Nominal power consumption.</p> <p>Table 11: Added voltage derating information for 1700 MHz devices; this feature is not supported at this time for other speed grades.</p> <p>Added transient specifications for VDD power supply in Section 9.2.3, added Table 15 and Figure 19 and renumbered subsequent tables and figures.</p> <p>Moved Decoupling Recommendations from Section 9.4 to Section 9.2.4 and renumbered subsequent sections.</p> <p>Section 9.2.1: Revised power sequencing requirements.</p> <p>Section 9.7.4: Added thermal diode ideality factor information (previously TBD).</p> <p>Table 17: Expanded table to show HID1 register values when DFS modes are enabled.</p> <p>Section 11.2: updated to include additional N-spec device speed grades</p> <p>Tables 18 and 19: corrected PVR values and added “MC” product code prefix</p>
0		Initial public release.



# 11 Part Numbering and Marking

Ordering information for the part numbers fully covered by this specification document is provided in [Section 11.1, “Part Numbers Fully Addressed by This Document.”](#) Note that the individual part numbers correspond to a maximum processor core frequency. For available frequencies, contact a local Freescale sales office. In addition to the processor frequency, the part numbering scheme also includes an application modifier that may specify special application conditions. An optional specification modifier may also apply for parts to indicate a specific change in specifications, such as support for an extended temperature range. Finally, each part number contains a revision level code that refers to the die mask revision number. [Section 11.2, “Part Numbers Not Fully Addressed by This Document,”](#) lists the part numbers that do not fully conform to the specifications of this document. These special part numbers require an additional document called a hardware specification addendum.

## 11.1 Part Numbers Fully Addressed by This Document

[Table 18](#) provides the Freescale part numbering nomenclature for the MPC7448 part numbers fully addressed by this document. For information regarding other MPC7448 part numbers, see [Section 11.2, “Part Numbers Not Fully Addressed by This Document.”](#)

**Table 18. Part Numbering Nomenclature**

<i>xx</i>	<b>7448</b>	<i>xx</i>	<i>nnnn</i>	<b>L</b>	<b>x</b>
Product Code	Part Identifier	Package	Processor Frequency	Application Modifier	Revision Level
MC PPC <sup>1</sup>	7448	HX = HCTE BGA VS = RoHS LGA VU = RoHS BGA	1700	L: 1.3 V +20/–50 mV 0 to 105 °C	C: 2.1; PVR = 0x8004_0201 D: 2.2; PVR = 0x8004_0202
			1600	L: 1.25 V ± 50 mV 0 to 105 °C	
			1420	L: 1.2 V ± 50 mV 0 to 105 °C	
			1000	L: 1.15 V ± 50 mV 0 to 105 °C	

**Notes:**

- The P prefix in a Freescale part number designates a “Pilot Production Prototype” as defined by Freescale SOP 3-13. These parts have only preliminary reliability and characterization data. Before pilot production prototypes may be shipped, written authorization from the customer must be on file in the applicable sales office acknowledging the qualification status and the fact that product changes may still occur as pilot production prototypes are shipped.

## 11.2 Part Numbers Not Fully Addressed by This Document

Parts with application modifiers or revision levels not fully addressed in this specification document are described in separate hardware specification addenda which supplement and supersede this document. As such parts are released, these specifications will be listed in this section.

**Table 19. Part Numbers Addressed by MC7448xxnnnnNx Series Hardware Specification Addendum (Document Order No. MPC7448ECS01AD)**

<b>xx</b>	<b>7448</b>	<b>xx</b>	<b>nnnn</b>	<b>N</b>	<b>x</b>
<b>Product Code</b>	<b>Part Identifier</b>	<b>Package</b>	<b>Processor Frequency</b>	<b>Application Modifier</b>	<b>Revision Level</b>
MC	7448	HX = HCTE BGA VS = RoHS LGA VU = RoHS BGA	1400	N: 1.15 V ± 50 mV 0 to 105 °C (date code 0613 and later) <sup>2</sup>	C: 2.1; PVR = 0x8004_0201 D: 2.2; PVR = 0x8004_0202
MC PPC <sup>1</sup>			1400	N: 1.1 V ± 50 mV 0 to 105 °C (date code 0612 and prior) <sup>2</sup>	
MC PPC <sup>1</sup>			1267 Revision C only	N: 1.1 V ± 50 mV 0 to 105 °C	
MC PPC <sup>1</sup>			1267 Revision D only	N: 1.05 V ± 50 mV 0 to 105 °C	
MC PPC <sup>1</sup>			1250	N: 1.1 V ± 50 mV 0 to 105 °C	
MC PPC <sup>1</sup>			1000 867 800 667 600	N: 1.0 V ± 50 mV 0 to 105 °C	

**Notes:**

1. The P prefix in a Freescale part number designates a “Pilot Production Prototype” as defined by Freescale SOP 3-13. These parts have only preliminary reliability and characterization data. Before pilot production prototypes can be shipped, written authorization from the customer must be on file in the applicable sales office acknowledging the qualification status and the fact that product changes may still occur as pilot production prototypes are shipped.
2. Core voltage for 1400 MHz devices currently in production (date code of 0613 and later) is 1.15 V ± 50 mV; all such devices have the MC product code. The 1400 MHz devices with date code of 0612 and prior specified core voltage of 1.1 V ± 50 mV; this includes all 1400 MHz devices with the PPC product code. See [Section 11.3, “Part Marking,”](#) for information on part marking.

**Table 20. Part Numbers Addressed by MC7448TxxnnnnNx Series Hardware Specification Addendum  
(Document Order No. MPC7448ECS02AD)**

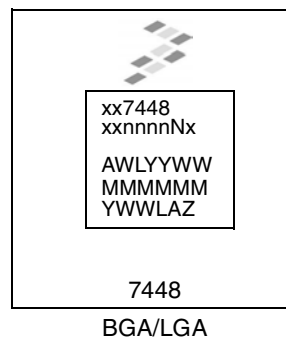
<b>xx</b>	<b>7448</b>	<b>T</b>	<b>xx</b>	<b>nnnn</b>	<b>N</b>	<b>x</b>
Product Code	Part Identifier	Specification Modifier	Package	Processor Frequency	Application Modifier	Revision Level
MC PPC <sup>1</sup>	7448	T = Extended Temperature Device	HX = HCTE BGA	1400	N: 1.15 V ± 50 mV – 40 to 105 °C	C: 2.1; PVR = 0x8004_0201 D: 2.2; PVR = 0x8004_0202
				1267 Revision C only	N: 1.1 V ± 50 mV – 40 to 105 °C	
				1267 Revision D only	N: 1.05 V ± 50 mV – 40 to 105 °C	
				1000	N: 1.0 V ± 50 mV – 40 to 105 °C	

**Notes:**

- The P prefix in a Freescale part number designates a “Pilot Production Prototype” as defined by Freescale SOP 3-13. These parts have only preliminary reliability and characterization data. Before pilot production prototypes can be shipped, written authorization from the customer must be on file in the applicable sales office acknowledging the qualification status and the fact that product changes may still occur as pilot production prototypes are shipped.

## 11.3 Part Marking

Parts are marked as the example shown in [Figure 27](#).



**Notes:**

- AWLYYWW is the test code, where YYWW is the date code (YY = year, WW = work week)
- MMMMMM is the M00 (mask) number.
- YWWLAZ is the assembly traceability code.

**Figure 27. Part Marking for BGA and LGA Device**

**How to Reach Us:**

**Home Page:**

www.freescale.com

**email:**

support@freescale.com

**USA/Europe or Locations Not Listed:**

Freescale Semiconductor  
 Technical Information Center, CH370  
 1300 N. Alma School Road  
 Chandler, Arizona 85224  
 1-800-521-6274  
 480-768-2130  
 support@freescale.com

**Europe, Middle East, and Africa:**

Freescale Halbleiter Deutschland GmbH  
 Technical Information Center  
 Schatzbogen 7  
 81829 Muenchen, Germany  
 +44 1296 380 456 (English)  
 +46 8 52200080 (English)  
 +49 89 92103 559 (German)  
 +33 1 69 35 48 48 (French)  
 support@freescale.com

**Japan:**

Freescale Semiconductor Japan Ltd.  
 Headquarters  
 ARCO Tower 15F  
 1-8-1, Shimo-Meguro, Meguro-ku  
 Tokyo 153-0064, Japan  
 0120 191014  
 +81 3 5437 9125  
 support.japan@freescale.com

**Asia/Pacific:**

Freescale Semiconductor Hong Kong Ltd.  
 Technical Information Center  
 2 Dai King Street  
 Tai Po Industrial Estate,  
 Tai Po, N.T., Hong Kong  
 +800 2666 8080  
 support.asia@freescale.com

**For Literature Requests Only:**

Freescale Semiconductor  
 Literature Distribution Center  
 P.O. Box 5405  
 Denver, Colorado 80217  
 1-800-441-2447  
 303-675-2140  
 Fax: 303-675-2150  
 LDCForFreescaleSemiconductor  
 @hibbertgroup.com

Information in this document is provided solely to enable system and software implementers to use Freescale Semiconductor products. There are no express or implied copyright licenses granted hereunder to design or fabricate any integrated circuits or integrated circuits based on the information in this document.

Freescale Semiconductor reserves the right to make changes without further notice to any products herein. Freescale Semiconductor makes no warranty, representation or guarantee regarding the suitability of its products for any particular purpose, nor does Freescale Semiconductor assume any liability arising out of the application or use of any product or circuit, and specifically disclaims any and all liability, including without limitation consequential or incidental damages. "Typical" parameters which may be provided in Freescale Semiconductor data sheets and/or specifications can and do vary in different applications and actual performance may vary over time. All operating parameters, including "Typicals" must be validated for each customer application by customer's technical experts. Freescale Semiconductor does not convey any license under its patent rights nor the rights of others. Freescale Semiconductor products are not designed, intended, or authorized for use as components in systems intended for surgical implant into the body, or other applications intended to support or sustain life, or for any other application in which the failure of the Freescale Semiconductor product could create a situation where personal injury or death may occur. Should Buyer purchase or use Freescale Semiconductor products for any such unintended or unauthorized application, Buyer shall indemnify and hold Freescale Semiconductor and its officers, employees, subsidiaries, affiliates, and distributors harmless against all claims, costs, damages, and expenses, and reasonable attorney fees arising out of, directly or indirectly, any claim of personal injury or death associated with such unintended or unauthorized use, even if such claim alleges that Freescale Semiconductor was negligent regarding the design or manufacture of the part.

Freescale™ and the Freescale logo are trademarks of Freescale Semiconductor, Inc. The Power Architecture and Power.org word marks and the Power and Power.org logos and related marks are trademarks and service marks licensed by Power.org. The described product is a PowerPC microprocessor. The PowerPC name is a trademark of IBM Corp. and is used under license. IEEE Std. 1149.1™ and 754™ are trademarks of the Institute of Electrical and Electronics Engineers, Inc., (IEEE). This product is not endorsed or approved by the IEEE. All other product or service names are the property of their respective owners.

© Freescale Semiconductor, Inc., 2005, 2007.

