



## Large-signal Power MOSFET for 60V/100V Motor Drivers

The Power MOSFET new series products are large-signal, medium-voltage Power MOSFETs optimized for DC/DC converters and motor drives with a DC input of 12V to 48V. Taking the form of a full-mold TO-220 (TO-220ML), the new MOSFET adopts a trench structure to achieve an increase in performance of 50% or more compared with existing products.

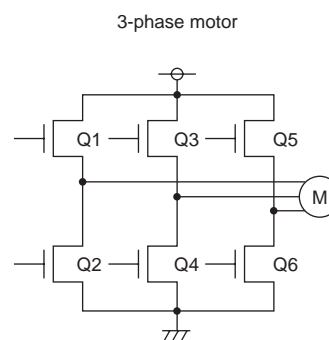
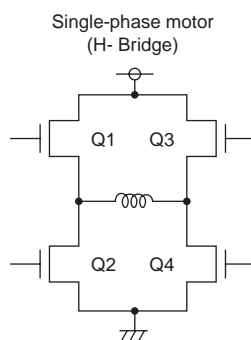
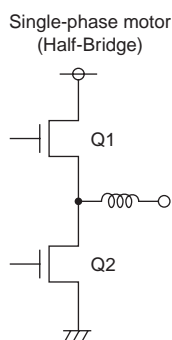
### Features

- Avalanche resistance guaranteed.
- Lower ON-resistance by adopting trench structure.
- 4V low-voltage drive.

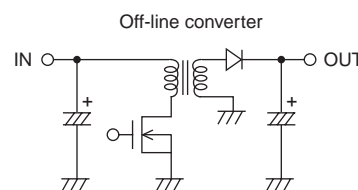
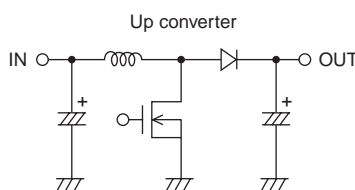
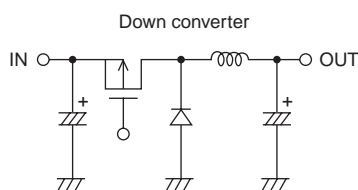
### Examples of application sets and sample application circuits

DC/DC converters for amusement use, electric bicycles, fan motors, general-purpose motor drives, etc.

#### < Sample motor drive circuits >



#### < Sample DC/DC converter circuits >



- Any and all SANYO products described or contained herein do not have specifications that can handle applications that require extremely high levels of reliability, such as life-support systems, aircraft's control systems, or other applications whose failure can be reasonably expected to result in serious physical and/or material damage. Consult with your SANYO representative nearest you before using any SANYO products described or contained herein in such applications.
- SANYO assumes no responsibility for equipment failures that result from using products at values that exceed, even momentarily, rated values (such as maximum ratings, operating condition ranges, or other parameters) listed in products specifications of any and all SANYO products described or contained herein.

## Power MOSFET for 60V/100V

### P-channel Series

#### New Products

##### 60V TO-220ML

Type No.	Package	VDSS (V)	VGSS (V)	ID (A)	IDP (A)	PD Tc=25°C (W)	VGS(off) (V)	RDS(on) VGS=4V		RDS(on) VGS=10V	
								typ (mΩ)	max (mΩ)	typ (mΩ)	max (mΩ)
2SJ650	TO-220ML	60	±20	12	48	20	1.2 to 2.6	145	205	100	135
2SJ651	TO-220ML	60	±20	20	80	25	1.2 to 2.6	65	92	45	60
2SJ652	TO-220ML	60	±20	28	112	30	1.2 to 2.6	39	55.5	28.5	38
2SJ653	TO-220ML	60	±20	37	148	35	1.2 to 2.6	26	37	16	25

##### 100V TO-220ML

Type No.	Package	VDSS (V)	VGSS (V)	ID (A)	IDP (A)	PD Tc=25°C (W)	VGS(off) (V)	RDS(on) VGS=4V		RDS(on) VGS=10V	
								typ (mΩ)	max (mΩ)	typ (mΩ)	max (mΩ)
2SJ654	TO-220ML	100	±20	8	32	20	1.2 to 2.6	320	450	240	315
2SJ655	TO-220ML	100	±20	12	48	25	1.2 to 2.6	136	190	100	136
2SJ656	TO-220ML	100	±20	18	72	30	1.2 to 2.6	74	104	58	75.5
2SJ657	TO-220ML	100	±20	25	100	35	1.2 to 2.6	49	69	39	52

##### 60V Existing Products

Type No.	Package	VDSS (V)	VGSS (V)	ID (A)	IDP (A)	PD Tc=25°C (W)	VGS(off) (V)	RDS(on) VGS=4V		RDS(on) VGS=10V		Recommended replacement product
								typ (mΩ)	max (mΩ)	typ (mΩ)	max (mΩ)	
2SJ348	TO-220	60	±20	30	120	70	1 to 2	40	55	30	40	2SJ652
2SJ478	TO-220	60	±20	20	80	80	1 to 2	50	90	35	45	2SJ651
2SJ589LS	TO-220FI(LS)	60	±20	15	60	25	1 to 2.4	80	115	58	80	2SJ651
2SJ590LS	TO-220FI(LS)	60	±20	20	80	25	1 to 2.4	62	87	43	56	2SJ651
2SJ591LS	TO-220FI(LS)	60	±20	28	112	35	1 to 2.4	38	53	27	35	2SJ652
2SJ263	TO-220ML	60	±20	6	24	25	1 to 2	200	270	150	200	2SJ650
2SJ264	TO-220ML	60	±20	8	32	25	1 to 2	150	200	110	150	2SJ650
2SJ519	TO-220ML	60	±20	20	80	35	1 to 2	45	70	30	40	2SJ652

##### 100V Existing Products

Type No.	Package	VDSS (V)	VGSS (V)	ID (A)	IDP (A)	PD Tc=25°C (W)	VGS(off) (V)	RDS(on) VGS=4V		RDS(on) VGS=10V		Recommended replacement product
								typ (mΩ)	max (mΩ)	typ (mΩ)	max (mΩ)	
2SJ272	TO-220ML	100	±15	4	16	25	1 to 2	400	550	300	400	2SJ654
2SJ273	TO-220ML	100	±20	6	24	25	1 to 2	300	400	220	300	2SJ654
2SJ274	TO-220ML	100	±15	12	48	30	1 to 2	160	220	120	160	2SJ655

# Power MOSFET for 60V/100V

## N-channel Series

### New Products

#### 60V TO-220ML

Type No.	Package	VDSS (V)	VGSS (V)	ID (A)	IDP (A)	PD Tc=25°C (W)	VGS(off) (V)	RDS(on) VGS=4V		RDS(on) VGS=10V	
								typ (mΩ)	max (mΩ)	typ (mΩ)	max (mΩ)
2SK3702	TO-220ML	60	±20	18	72	20	1.2 to 2.6	60	85	45	60
2SK3703	TO-220ML	60	±20	30	120	25	1.2 to 2.6	28	40	20	26
2SK3704	TO-220ML	60	±20	45	180	30	1.2 to 2.6	15	21	10.5	14
2SK3705	TO-220ML	60	±20	60	208	35	1.2 to 2.6	12	17	9	12.5

#### 100V TO-220ML \*Under development

Type No.	Package	VDSS (V)	VGSS (V)	ID (A)	IDP (A)	PD Tc=25°C (W)	VGS(off) (V)	RDS(on) VGS=4V		RDS(on) VGS=10V		Remarks
								typ (mΩ)	max (mΩ)	typ (mΩ)	max (mΩ)	
*2SK3706	TO-220ML	100	±20	12	48	20	1.2 to 2.6	130	180	100	130	Start of commercial production planned for October 2003
2SK3707	TO-220ML	100	±20	20	80	25	1.2 to 2.6	56	80	45	60	–
2SK3708	TO-220ML	100	±20	30	120	30	1.2 to 2.6	30	42	25	33	–
2SK3709	TO-220ML	100	±20	37	148	35	1.2 to 2.6	23	32	19	25	–

#### 60V Existing Products

Type No.	Package	VDSS (V)	VGSS (V)	ID (A)	IDP (A)	PD Tc=25°C (W)	VGS(off) (V)	RDS(on) VGS=4V		RDS(on) VGS=10V		Recommended replacement product
								typ (mΩ)	max (mΩ)	typ (mΩ)	max (mΩ)	
2SK1416	TO-220	60	±20	15	60	40	1.5 to 2.5	–	–	60	80	2SK3702
2SK1417	TO-220	60	±20	25	100	60	1.5 to 2.5	–	–	35	45	2SK3703
2SK1418	TO-220	60	±20	40	160	70	1.5 to 2.5	–	–	20	26	2SK3703 / 2SK3704
2SK1419	TO-220ML	60	±20	15	60	25	1.5 to 2.5	–	–	60	80	2SK3702
2SK1420	TO-220ML	60	±20	25	100	30	1.5 to 2.5	–	–	35	45	2SK3703
2SK1421	TO-220ML	60	±20	40	160	40	1.5 to 2.5	–	–	20	26	2SK3703 / 2SK3704
2SK1895	TO-220ML	60	±20	12	48	25	1 to 2	80	110	60	80	2SK3702
2SK1896	TO-220ML	60	±20	15	60	25	1 to 2	70	95	50	70	2SK3702
2SK3413LS	TO-220FI(LS)	60	±20	25	100	25	1 to 2.4	35	49	25	33	2SK3702
2SK3414LS	TO-220FI(LS)	60	±20	30	120	25	1 to 2.4	26	36	20	26	2SK3703
2SK3415LS	TO-220FI(LS)	60	±20	40	160	35	1 to 2.4	17	24	13	17	2SK3704

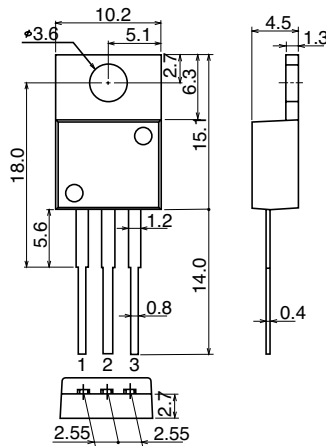
#### 100V Existing Products \*Under development

Type No.	Package	VDSS (V)	VGSS (V)	ID (A)	IDP (A)	PD Tc=25°C (W)	VGS(off) (V)	RDS(on) VGS=4V		RDS(on) VGS=10V		Recommended replacement product
								typ (mΩ)	max (mΩ)	typ (mΩ)	max (mΩ)	
2SK1904	TO-220ML	100	±15	10	40	25	1 to 2	160	220	120	160	*2SK3706
2SK1905	TO-220ML	100	±20	12	48	25	1 to 2	135	180	100	135	*2SK3706
2SK1906	TO-220ML	100	±15	20	80	30	1 to 2	80	110	60	80	2SK3707
2SK1427	TO-220	100	±20	10	40	40	1.5 to 2.5	–	–	120	160	*2SK3706
2SK1428	TO-220	100	±20	20	80	60	1.5 to 2.5	–	–	75	100	2SK3707
2SK1429	TO-220	100	±20	30	120	70	1.5 to 2.5	–	–	40	55	2SK3708
2SK1430	TO-220ML	100	±20	10	40	25	1.5 to 2.5	–	–	120	160	*2SK3706
2SK1431	TO-220ML	100	±20	15	60	30	1.5 to 2.5	–	–	75	100	2SK3707
2SK1432	TO-220ML	100	±20	25	100	40	1.5 to 2.5	–	–	40	55	2SK3707 / 2SK3708

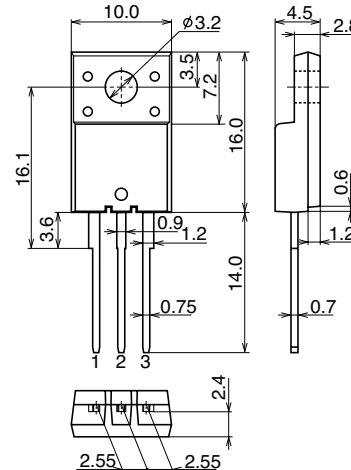
# Power MOSFET for 60V/100V

## Package Dimensions

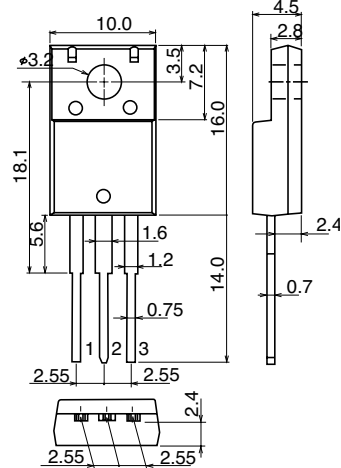
[TO-220]



[TO-220FI(LS)]



[TO-220ML]



- Specifications of any and all SANYO products described or contained herein stipulate the performance, characteristics, and functions of the described products in the independent state, and are not guarantees of the performance, characteristics, and functions of the described products as mounted in the customer's products or equipment. To verify symptoms and states that cannot be evaluated in an independent device, the customer should always evaluate and test devices mounted in the customer's products or equipment.
- SANYO Electric Co., Ltd. strives to supply high-quality high-reliability products. However, any and all semiconductor products fail with some probability. It is possible that these probabilistic failures could give rise to accidents or events that could endanger human lives, that could give rise to smoke or fire, or that could cause damage to other property. When designing equipment, adopt safety measures so that these kinds of accidents or events cannot occur. Such measures include but are not limited to protective circuits and error prevention circuits for safe design, redundant design, and structural design.
- In the event that any or all SANYO products(including technical data, services) described or contained herein are controlled under any of applicable local export control laws and regulations, such products must not be exported without obtaining the export license from the authorities concerned in accordance with the above law.
- No part of this publication may be reproduced or transmitted in any form or by any means, electronic or mechanical, including photocopying and recording, or any information storage or retrieval system, or otherwise, without the prior written permission of SANYO Electric Co., Ltd.
- Any and all information described or contained herein are subject to change without notice due to product/technology improvement, etc. When designing equipment, refer to the "Delivery Specification" for the SANYO product that you intend to use.
- Information (including circuit diagrams and circuit parameters) herein is for example only ; it is not guaranteed for volume production. SANYO believes information herein is accurate and reliable, but no guarantees are made or implied regarding its use or any infringements of intellectual property rights or other rights of third parties.

This catalog provides information as of August, 2003. Specifications and information herein are subject to change without notice.