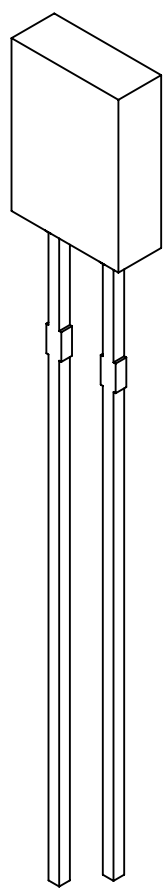
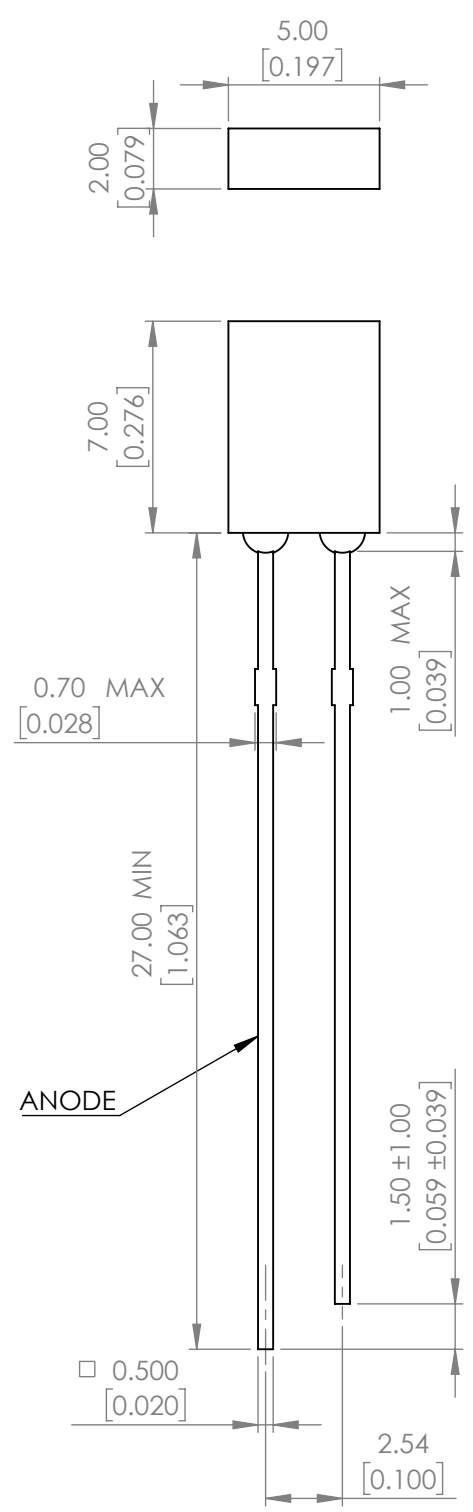


<b>PART NUMBER</b>		SSL-LX2573ID	<b>REV</b>	D
<b>REV</b>	<b>E.C.N. NUMBER AND REVISION COMMENTS</b>			<b>DATE</b>
A	E.C.N. #10113			10.03.96
B	E.C.N. #10BRDR. & REDRAWN IN 3D.			06.15.01
C	E.C.N. #11248			08.15.01
D	ECN-Lumex202000018			03.27.20



**ELECTRO-OPTICAL CHARACTERISTIC TA=25°C**

PARAMETER	MIN	TYP	MAX	UNITS	TEST COND
PEAK WAVELENGTH	-	627	-	nm	If=10mA
FORWARD VOLTAGE	-	1.9	2.3	Vf	If=10mA
REVERSE CURRENT	-	-	10	uA	Vr=5V
LUMINOUS INTENSITY	-	4	-	mcd	-
VIEWING ANGLE	-	140	-	2x theta <sub>1/2</sub>	-
EMITTED COLOR	RED				
EPOXY LENS FINISH	RED DIFFUSED				

**ABSOLUTE MAXIMUM RATINGS TA=25°C**

PARAMETER	MAX	UNITS
PEAK FORWARD CURRENT*	150	mA
FORWARD CURRENT	30	mA
REVERSE VOLTAGE	5	V
POWER DISSIPATION	70	mW
STORAGE TEMPERATURE	-40 TO +85	°C
OPERATING TEMPERATURE	-40 TO +85	°C
LEAD SOLDER TEMPERATURE**	3SEC MAX @260	°C

\*T<10uS  
\*\*2mm FROM BODY

STATIC DEVICE FOLLOW PROPER  
E.S.D. HANDLING PROCEDURES  
WHEN WORKING WITH THIS PART

\*UNLESS OTHERWISE SPECIFIED TOLERANCES PER DECIMAL PRECISION ARE: X=±1 (±0.039), X.X=±0.5 (±0.020), X.XX=±0.25 (±0.010), X.XXX=±0.127 (±0.005). LEAD SIZE=±0.05 (±0.002), LEAD LENGTH=±0.75 (±0.030). MIN= <sup>+DECIMAL PRECISION</sup>/<sub>-0.00</sub> MAX= <sup>+0.00</sup>/<sub>-DECIMAL PRECISION</sub>



425 N. GARY AVE.  
CAROL STREAM, IL 60188  
PHONE : 800-278-5666  
FAX : 630-315-2150  
WEB : WWW.LUMEX.COM

2mm\*5mm RECTANGULAR, 627nm RED LED, RED DIFFUSED LENS.  
\*\*THE SPECIFICATIONS MAY CHANGE AT ANY TIME WITHOUT NOTICE.\*\*  
CONFIDENTIAL INFORMATION  
THE INFORMATION CONTAINED IN THIS DOCUMENT IS THE PROPERTY OF LUMEX INC. EXCEPT AS SPECIFICALLY AUTHORIZED IN WRITING BY LUMEX INC., THE HOLDER OF THIS DOCUMENT SHALL KEEP ALL INFORMATION CONTAINED HEREIN CONFIDENTIAL AND SHALL PROTECT SAME IN WHOLE OR IN PART FROM DISCLOSURE AND DISSEMINATION TO ALL THIRD PARTIES.

DATE : 2020.03.27	DRAWN BY : E.C.
PAGE : 1 OF 1	CHKD BY : E.C.
SCALE : NTF	APRVD BY : G.Y.
UNIT : mm [INCH]	Ⓢ