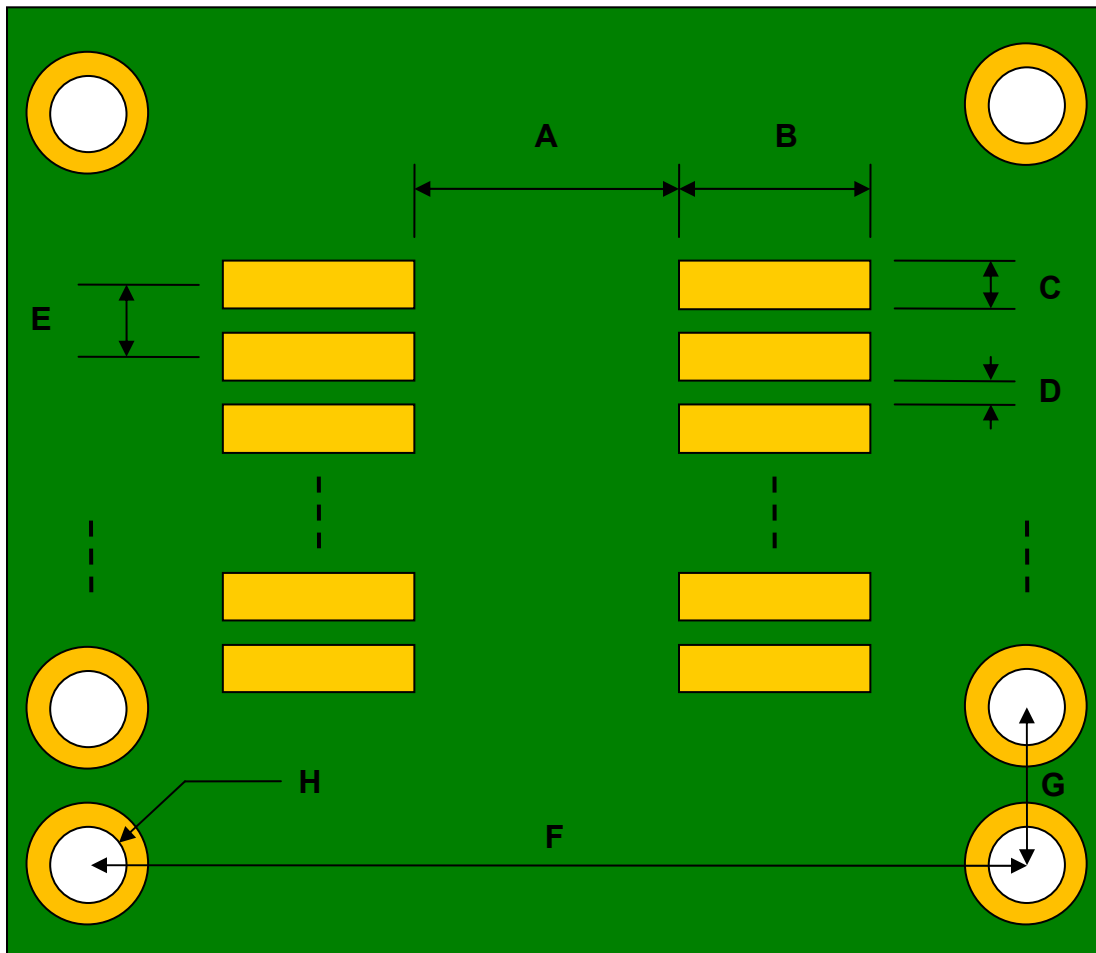


SOIC28W/N and SOP28 to DIP SMT Adapter

Top SMT Footprint (SOIC28W/N)

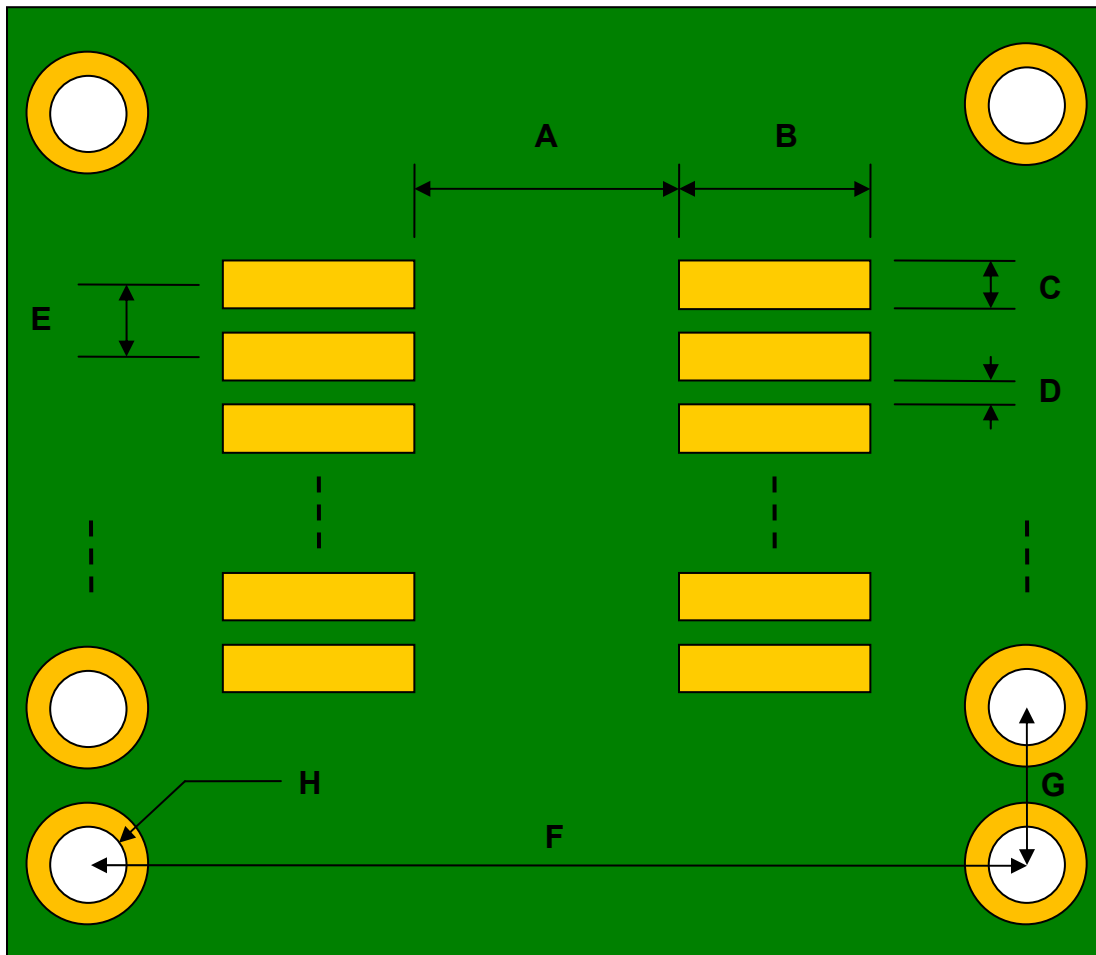
REF.	DIMENSIONS					
	mm			inches		
	MIN.	TYP.	MAX.	MIN.	TYP.	MAX.
A		3.40				
B		3.80				
C		0.60				
D		0.67				
E		1.27				
F					0.700	
G					0.100	
H					0.040	



(Representative drawing only - not to scale)

Bottom SMT Footprint (SOP28)

DIMENSIONS						
REF.	mm			inches		
	MIN.	TYP.	MAX.	MIN.	TYP.	MAX.
A		5.05				
B		1.75				
C		0.45				
D		0.20				
E		0.65				
F					0.700	
G					0.100	
H					0.040	



(Representative drawing only - not to scale)