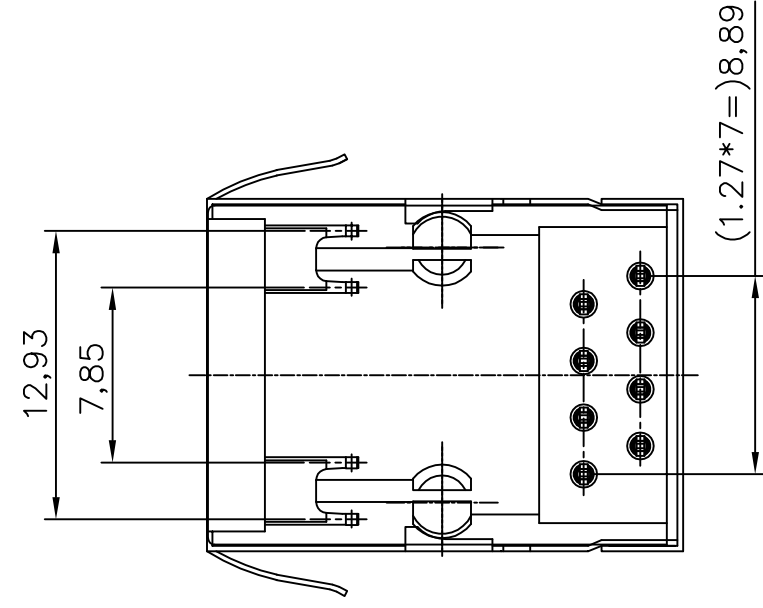
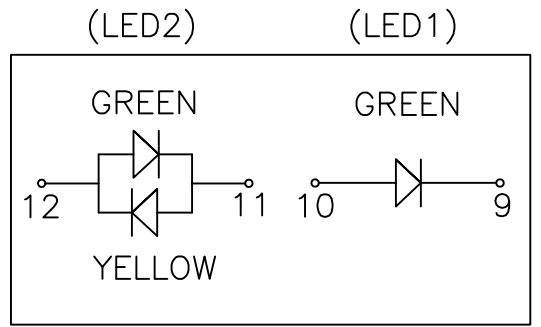
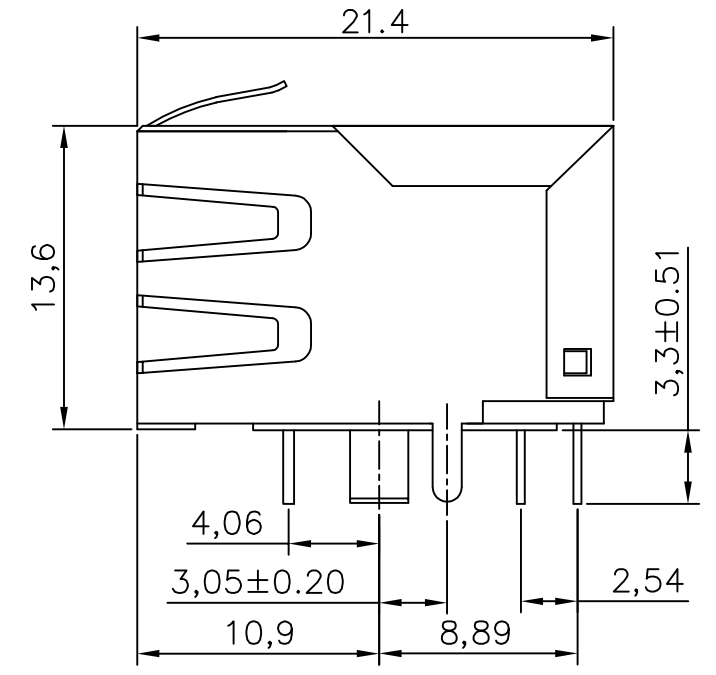
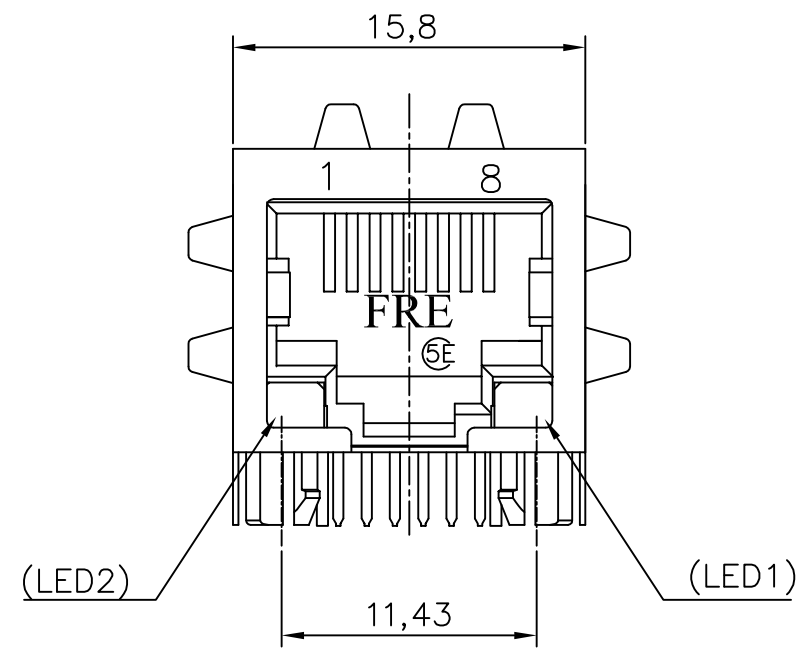
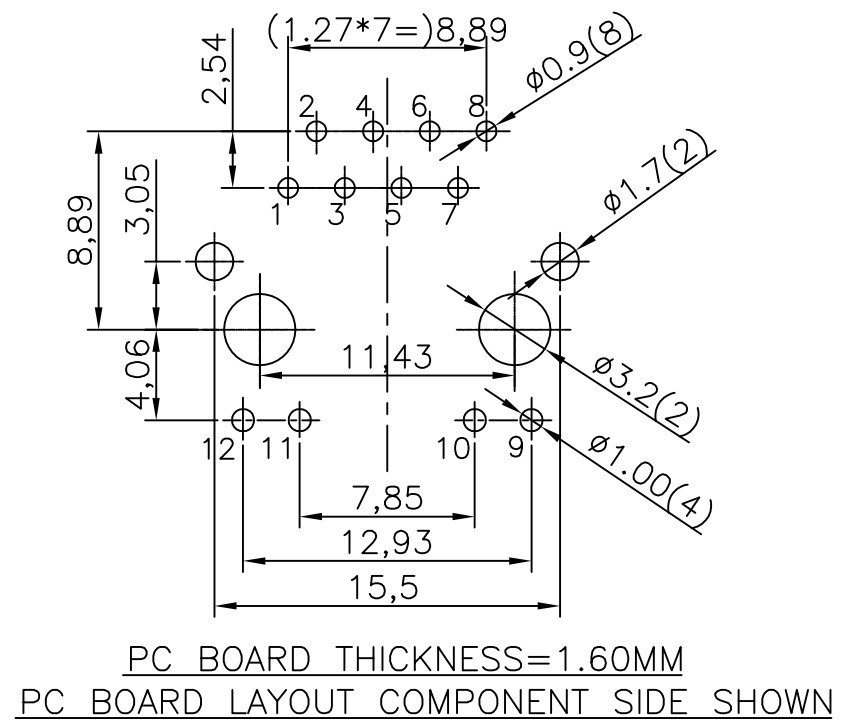


| REVISION RECORD | | |
|-----------------|-------------|------|
| REV | DESCRIPTION | DRFT |
| | | |



PC BOARD THICKNESS=1.60MM
PC BOARD LAYOUT COMPONENT SIDE SHOWN

NOTES:

ELECTRICAL:

- VOLTAGE RATING : 125 VAC RMS.
- CURRENT RATING : 1.5AMP.
- CONTACT RESISTANCE : 50 MILLIOHMS MAX.
- INSULATION RESISTANCE: 1000 MEGOHMS MIN @ 500 VDC.
- DIELECTRIC STRENGTH : 1000 VAC RMS 60Hz, 1MIN.
- CATEGORY 5E CHARACTERISTIC:

| Frequency | Near-End Cross Talk dB, MIN. | Return Loss dB, MIN. | Attenuation dB, MAX. |
|-----------|------------------------------|----------------------|----------------------|
| 1.0 MHZ | 65.0 | 35.5 | 0.1 |
| 4.0 MHZ | 65.0 | 35.5 | 0.1 |
| 8.0 MHZ | 64.9 | 35.5 | 0.1 |
| 10.0 MHZ | 63.0 | 35.5 | 0.1 |
| 16.0 MHZ | 58.9 | 35.5 | 0.2 |
| 20.0 MHZ | 57.0 | 34.0 | 0.2 |
| 25.0 MHZ | 55.0 | 32.0 | 0.2 |
| 31.25 MHZ | 53.1 | 30.1 | 0.2 |
| 62.5 MHZ | 47.1 | 24.0 | 0.3 |
| 100.0 MHZ | 43.0 | 20.0 | 0.4 |

MECHANICAL:

- HOUSING MATERIAL : PBT+30% BK UL94V-0.
- CONTACT MATERIAL : PHOSPHOR BRONZE t=0.35mm.
- PLATING : GOLD PLATING OVER NICKEL.
- OPERATING LIFE : 750 CYCLES MIN.
- PCB RETENTION PRE-SOLDER : 1 LB MIN.
- PCB RETENTION POST-SOLDER: 10 LBS MIN.
- LED'S CHARACTERISTICS:
 - POWER DISSIPATION:100mW MAX.
 - FORWARD CURRENT:30mA MAX.
 - FORWARD VOLTAGE:2.2 VOLTS TYPICAL.
 - LED2 REVERSE VOLTAGE:5.0 VOLTS MAX.
 - PEAK EMISSION WAVELENGTH: GREEN LED 569nm TYPICAL.
YELLOW LED 586nm TYPICAL.

ENVIRONMENTAL:

- STORAGE : -40°C TO +85°C.
- OPERATION: -40°C TO +85°C.
- WAVE SOLDERING TEMPERATURE: 230°C~250°C (5~10 SECONDS)
- RoHS COMPLIANT

MATES WITH MODULAR PLUG CONFORMING TO FCC PART 68, SUBPART F.
CUL FILE NO. E163191

| PART NUMBER | PLATING |
|----------------|---------|
| E6588-WA0B44-L | 30u'' |

| | | | | |
|------------------------|----------------------------------------------------|--------------------------|-----------------------------|---------|
| DETACHED LISTS | MM (INCH) | RoHS Compliant | Pulse Electronics | |
| | TOLERANCES EXCEPT AS NOTED | TITLE | | |
| | MM .0 ± 0.25 ± .00 ± 0.20 ± .000 ± 0.10 ± | CAT.5E W/LED JACK | | |
| | ANGLES ± 1° | DFTO : Jacky | DRAWING NO. CE6588-WA0B44-L | SIZE A3 |
| THIRD ANGLE PROJECTION | DATE : 12/21/2012 | /PART NO. E6588-WA0B44-L | DO NOT SCALE DRAWING | |
| SCALE : 3:1 | | SHEET 1 OF 1 | | |