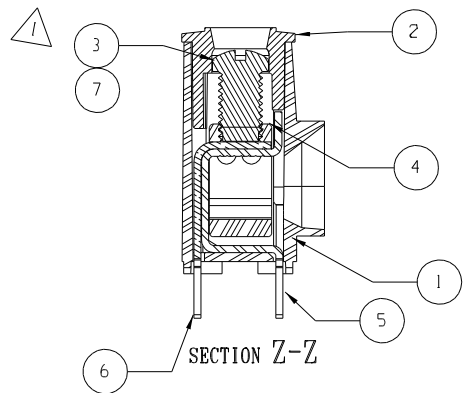
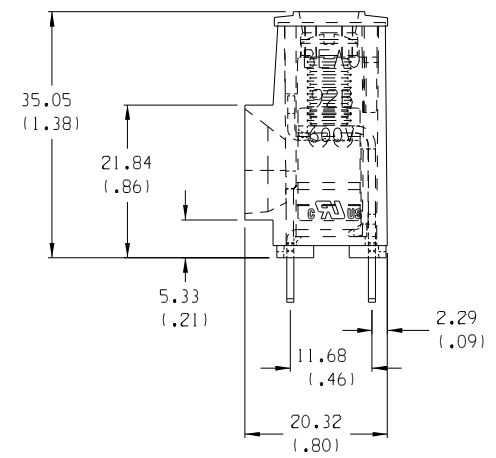
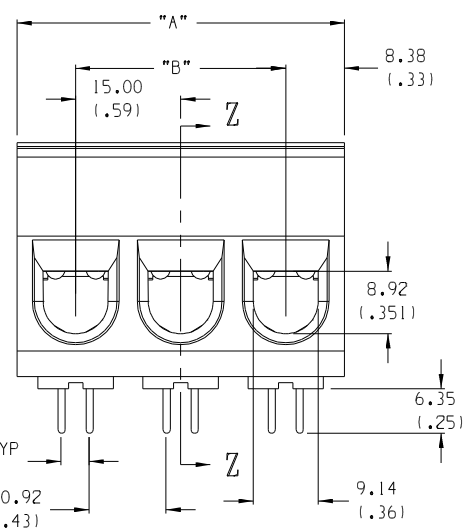
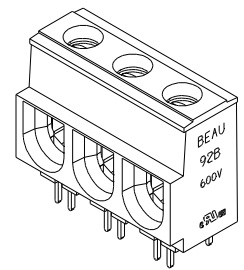
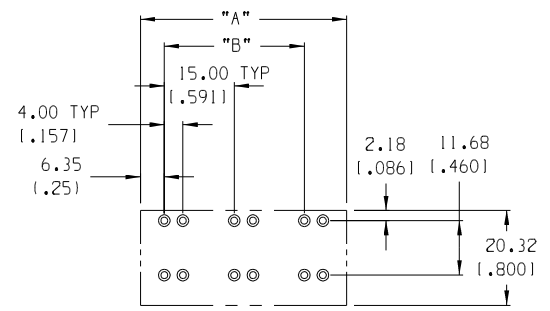
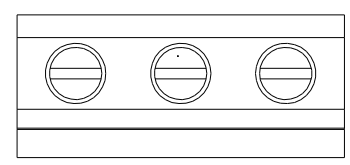


LENGTH TABLE

MATERIAL NO. (STANDARD)	MATERIAL NO. (-56 OPT.)	NO. OF CIRCUITS	"B"	"A"
F 399200302	399200602	02	15.0 (.591)	32 (1.25)
399200303	399200603	03	30.0 (1.181)	47 (1.84)
399200304	399200604	04	45.0 (1.772)	62 (2.43)
399200305	399200605	05	60.0 (2.362)	77 (3.02)
399200306	399200606	06	75.0 (2.952)	92 (3.61)
399200307	399200607	07	90.0 (3.543)	107 (4.20)
399200308	399200608	08	105.0 (4.134)	122 (4.79)
E 399200309	399200609	09	120.0 (4.724)	137 (5.38)
399200310	399200610	10	135.0 (5.315)	152 (5.97)
399200311	399200611	11	150.0 (5.906)	167 (6.57)
399200312	399200612	12	165.0 (6.496)	182 (7.16)



- NOTES:
1. MATERIAL: SEE TABLE.
 2. FINISHES: SEE TABLE.
 3. PRODUCT SPECIFICATION: NOT REQUIRED.
 4. PACKAGING: NOT REQUIRED.
 5. MATES WITH: NONE.
 6. ALL FEATURES ARE TYPICAL UNLESS OTHERWISE NOTED.
 7. "XX" REFERS TO THE NUMBER OF CIRCUIT POSITIONS
 8. DESIGNED TO MEET NEC & UL 1059 CLASS C 600 VOLTS
 9. MULTIPLE TAIL DESIGN FOR LOWER PCB CURRENT DENSITIES
 10. PROVEN PRESSURE CLAMP STYLE CONNECTION
 11. AVAILABLE IN VARIOUS LENGTHS
 12. WINDOW ACCEPTS 133/23 STRANDED #2 AWG, #3 AWG AND 19 STRAND #1 AWG

ITEM	QTY.	DESCRIPTION	MATERIAL	FINISH
7	"XX"	SCREW, 1/4-28, SLOTTED, ST. STEEL	STAINLESS STEEL	TIN
6	"XX"	OUTER TERMINAL	COPPER	TIN
5	"XX"	INNER TERMINAL	COPPER	TIN
4	"XX"	CAGE	BRASS	NICKEL
3	"XX"	SCREW, 1/4-28, SLOTTED, BRONZE	BRONZE	TIN
2	1	COVER	THERMOPLASTIC	BLACK
1	1	BODY	THERMOPLASTIC	BLACK



EC NO. 4261	DESCRIPTION
DRAWN: CY 10-7-05	QUALITY SYMBOLS
CHK: []	MAJOR []
APPR: []	CRITICAL []
REV []	C []

GENERAL TOLERANCES: (UNLESS SPECIFIED)	
4 PLACES	±.0015
3 PLACES	±.038 ±.005
2 PLACES	±.13 ±.01
1 PLACE	±.3
ANGULAR: ±2°	
DRAFT WHERE APPLICABLE MUST REMAIN WITHIN DIMENSIONS	

SCALE 1.5:1	DESIGN UNITS [] mm [X] INCH
DRAWN BY & DATE AMP 4/11/02	CHECKED BY & DATE GHR 6/11/02
APPROVED BY & DATE L.ROTHAUS 6/11/02	
CAD FILENAME 92B05XX	MATERIAL NO. SEE CHART

DIMENSIONS: [X] mm [] INCH [] mm ONLY		SHT []	REV []
THIRD ANGLE PROJECTION		REVISE ON CAD ONLY	
TITLE: SR, BTS, #1-#8 AWG, 600V			
MOLEX INCORPORATED			
MATERIAL NO. SEE CHART	DRAWING NO. SD-39920-006	SHEET NO. 1 OF 1	
THIS DRAWING CONTAINS INFORMATION THAT IS PROPRIETARY TO MOLEX INCORPORATED AND SHOULD NOT BE USED WITHOUT WRITTEN PERMISSION.			SIZE B