

NS-208/NSM-108

8-port Industrial 10/100 Mbps Ethernet Switch

NS-208

NSM-108



| | | | | | | | | |
|----------------|------------------|--------------------|----|-----|------|------|-----------------------|----------------|
| NS-208/NSM-108 | | | | | | | For NSM-108 | For NS-208 |
| | | | | | | | | |
| LAN x8 | Wide Temperature | Wide Input Voltage | CE | FCC | RoHS | WEEE | Wall & DIN-Rail Mount | DIN-Rail Mount |

Features ▶▶▶

- Automatic MDI/MDI-X crossover for plug-and-play
- Store-and-forward architecture
- Full duplex IEEE 802.3x and half duplex backpressure flow control
- Supports +10 V_{DC} ~ +30 V_{DC} power input
- Each port supports both 10/100 Mbps speed auto negotiation
- Supports operating temperatures from -40 °C ~ +75 °C
- DIN-Rail Mounting

Introduction

The NS-208/NSM-108 has 8 Ethernet ports that support 10/100 Base-TX, with a 10/100M auto negotiation feature and auto MDI/MDI-X function.

All Ethernet ports have memory buffers that support the store-and-forward mechanism, which assures that data can be transmitted properly. The NS-208/NSM-108 supports advanced network standards to optimize network performance, reduce maintenance costs, and secure network safety.

The flow control mechanism is also negotiated. There is link/data rate LEDs for each port to aid troubleshooting. Port connectors are shielded RJ-45.

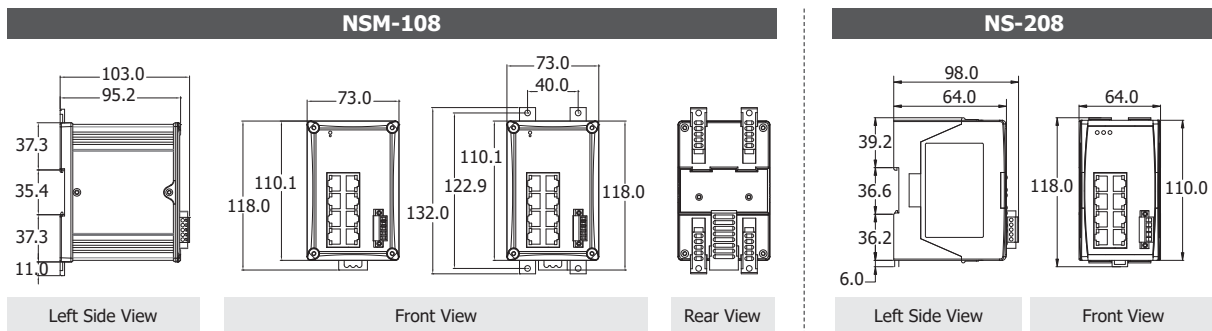
Comparison Table of 8-port 10/100 Mbps Ethernet Switch

| Mode Name | NS-208 | NSM-108 | NS-208A | NSM-208A | NS-208R |
|--|---|------------------------------------|---|-------------------|-------------------|
| Input Voltage Range | +10 V _{DC} ~ +30 V _{DC} | | +12 V _{DC} ~ +48 V _{DC} | | |
| Casing | Plastic | Metal | Plastic | Metal | Plastic |
| Installation | DIN-Rail Mounting | DIN-Rail Mounting or Wall Mounting | | DIN-Rail Mounting | |
| Dimensions (W x L x H) (Unit: mm) | 64 x 118 x 98 | 73 x 132 x 103 | 31 x 157 x 113 | 25 x 168 x 119 | 64 x 118 x 98 |
| Remarks | - | | Cost-effective | | EN50155-certified |

Specifications

| Models | NS-208 | NSM-108 |
|---------------------------|---|--|
| Technology | | |
| Standards | IEEE 802.3, 802.3u, 802.3x | |
| Processing Type | Store & forward; wire speed switching | |
| MAC Addresses | 1024 | |
| Memory Bandwidth | 2 Gbps | |
| Frame Buffer Memory | 512 Kbit | |
| Flow Control | IEEE 802.3x flow control, back pressure flow control | |
| Interface | | |
| RJ-45 Ports | 10/100 Base-T(X) auto negotiation speed, F/H duplex mode, and auto MDI/MDI-X connection | |
| LED Indicators | Power, Link/Act, 10/100M | |
| Ethernet Isolation | 1500 V _{rms} 1 minute | |
| EMS Protection | Yes | |
| Power Input | | |
| Input Voltage Range | +10 V _{dc} ~ +30 V _{dc} (Non-isolated) | |
| Power Consumption | 0.15 A @ 24 V _{dc} | |
| Protection | Power reverse polarity protection | |
| EMS Protection | Yes | |
| Connector | 5-Pin Removable Terminal Block | |
| Mechanical | | |
| Casing | Plastic | Metal |
| Dimensions (W x L x H) | 64 mm x 118 mm x 98 mm | DIN-rail mounting: 73 mm x 118 mm x 103 mm Wall mounting: 73 mm x 132 mm x 103 mm |
| Installation | DIN-rail mounting | DIN-rail mounting or wall mounting |
| Environment | | |
| Operating Temperature | -40 °C ~ +75 °C | |
| Storage Temperature | -40 °C ~ +85 °C | |
| Ambient Relative Humidity | 10% ~ 90% RH, non-condensing | |

Dimensions (Units: mm)



Ordering Information

| | |
|------------|---|
| NSM-108 CR | Unmanaged 8-Port Industrial 10/100 Base-TX Ethernet Switch with Power Input +10 VDC ~ +30 VDC, metal casing (RoHS) Includes 4SNPNA010021G Wall mount |
| NS-208 CR | Unmanaged 8-Port Industrial 10/100 Base-TX Ethernet Switch with Power Input +10 VDC ~ +30 VDC (RoHS) |