

DATA SHEET

SKY59272-707LF: Sky5® 0.6 to 6.0 GHz 4XSPST Shunt MIPI® Antenna Tuning Switch

Applications

- Aperture tuning

Features

- Broadband frequency range: 0.6 to 6.0 GHz
- Vpeak: 84 V
- RON: 1.65 ohms
- COFF: 95 fF
- High isolation: +40 dB @ 2.7 GHz
- Supply voltage: 1.8 V
- Control logic: MIPI v2.1
- Small QFN (12-pin, 1.6 x 1.6 x 0.45 mm typical) package (MSL1, 260 °C per JEDEC J-STD-020)



Skyworks Green™ products are compliant with all applicable legislation and are halogen-free. For additional information, refer to *Skyworks Definition of Green™*, document number SQ04-0074.

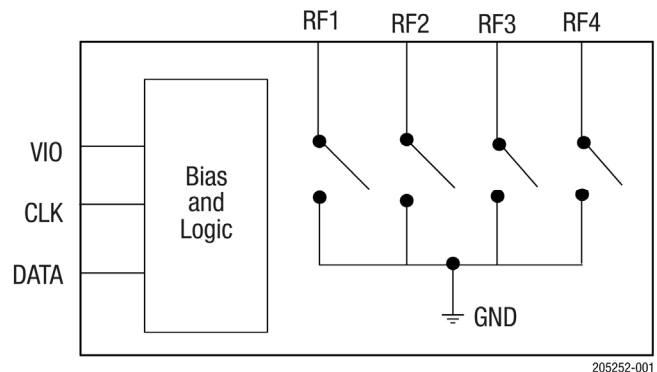


Figure 1. SKY59272-707LF Block Diagram

Description

The SKY59272-707LF is a Quad Flat No-Lead (QFN) 4X single-pole, single-throw (4XSPST) switch designed for antenna tuning applications that require ultra-low ON resistance and low OFF capacitance. Switching is controlled by an integrated Mobile Industry Processor Interface (MIPI) v2.1 controller. The SKY59272-707LF is part of our Sky5® product portfolio.

No external DC blocking capacitors are required as long as no DC voltage is applied on any RF path.

The SKY59272-707LF is provided in a compact 12-pin, 1.6 x 1.6 x 0.45 mm (typical) QFN that meets requirements for board-level assembly.

A functional block diagram is shown in Figure 1. The pin configuration and package are shown in Figure 2. Signal pin assignments and functional pin descriptions are provided in Table 1.

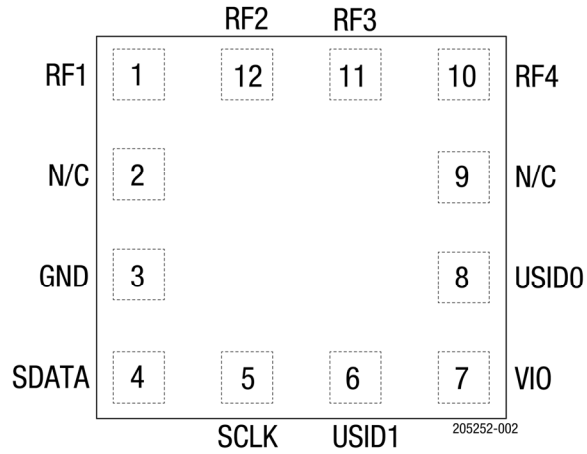


Figure 2. SKY59272-707LF Pinout (Top View)

Table 1. SKY59272-707LF Signal Descriptions

Pin	Name	Description	Pin	Name	Description
1	RF1	Single-ended RF port 1	7	VIO	Voltage supply
2	N/C	Not connected	8	USID0	USID select pin
3	GND	GND	9	N/C	Not connected
4	SDATA	MIPI data	10	RF4	Single-ended RF port 4
5	SCLCK	MIPI clock	11	RF3	Single-ended RF port 3
6	USID1	USID select pin	12	RF2	Single-ended RF port 2

Electrical and Mechanical Specifications

The absolute maximum ratings of the SKY59272-707LF are provided in Table 2. The DC electrical specifications are provided in Table 3. RF electrical specifications are shown in Table 4. Harmonic measurement frequencies are provided in Table 5.

The state of the SKY59272-707LF is determined by the logic provided in Table 6. Table 7 shows the MIPI register map. The command sequence bit definitions are listed in Table 8. Timing diagrams are shown in Figures 3 and 4. Figure 5 shows the recommended MIPI time sequence diagram.

Table 2. SKY59272-707LF Absolute Maximum Ratings¹

Parameter	Symbol	Condition	Minimum	Maximum	Units
Digital control voltage	V _{IO}	25 °C	-0.5	+2.4	V
RF maximum voltage	V _{RF_MAX}	Measured between RF ports to ground with shunt circuit configuration in 25% duty cycle RF power		80	V
Operating case temperature	T _C		-40	+90	°C
Storage temperature	T _{STG}		-55	+150	°C

¹ Exposure to maximum rating conditions for extended periods may reduce device reliability. There is no damage to device with only one parameter set at the limit and all other parameters set at or below their nominal value. Exceeding any of the limits listed here may result in permanent damage to the device.

ESD HANDLING: *Although this device is designed to be as robust as possible, electrostatic discharge (ESD) can damage this device. This device must be protected at all times from ESD when handling or transporting. Static charges may easily produce potentials of several kilovolts on the human body or equipment, which can discharge without detection. Industry-standard ESD handling precautions should be used at all times.*

Table 3. SKY59272-707LF DC Electrical Specifications¹

(V_{IO} = 1.8 V, T_{OP} = +25 °C, Characteristic Impedance [Z₀] = 50 ohms, Unless Otherwise Noted)

Parameter	Symbol	Test Condition	Min	Typ	Max	Units
Digital control voltage	V _{IO}		1.65	1.8	1.95	V
Digital control signal voltage: Low High	V _{CTL_LOW} V _{CTL_HIGH}		0 0.8 × V _{IO}	1.8	0.2 × V _{IO} V _{IO}	V V
Static V _{IO} leakage current	I _{IO}	V _{IO} = high	45	68	150	µA
Standby supply current	I _{IO}	V _{IO} = high, low-power mode	2	13	15	µA
DC supply turn-on time	t _{ON}	Measured from 50% of final V _{IO} supply voltage to final RF power ± 1 dB		14	20	µs
RF path switching time	t _{SW}	Measured from 50% of final control voltage to final RF input power ± 1 dB		6	10	µs

¹ Performance is guaranteed only under the conditions listed in this table.

Table 4. SKY59272-707LF RF Electrical Specifications¹
(VIO = 1.8 V, Top = +25 °C, Characteristic Impedance [Zo] = 50 ohms, Unless Otherwise Noted)

Parameter	Symbol	Test Condition	Min	Typ	Max	Units
Switch ON resistance	RON	DC		1.65	1.95	ohms
		617 MHz to 0.96 GHz		1.7	2.0	ohms
		0.96 to 2.17 GHz		1.9	2.5	ohms
		2.17 to 2.7 GHz		2.1	2.5	ohms
		3.3 to 3.8 GHz		2.2	2.6	ohms
		4.2 to 5.0 GHz		2.4	2.72	ohms
		5.15 to 5.925 GHz		2.8	2.94	ohms
Switch OFF capacitance	COFF	0.96 to 2.17 GHz		95	116	fF
		2.17 to 2.7 GHz		97	116	fF
		3.3 to 3.8 GHz		97	118	fF
		4.2 to 5.0 GHz		120	141	fF
		5.15 to 5.925 GHz		150	164	fF
Switch OFF resistance	ROFF	DC	228	233		kohms
		617 MHz to 0.96 GHz	15	17.3		kohms
		0.96 to 2.17 GHz	12.7	15.2		kohms
		2.17 to 2.7 GHz	11.7	14.1		kohms
		3.3 to 3.8 GHz	10.9	12.1		kohms
		4.2 to 5.0 GHz	7.2	8		kohms
		5.15 to 5.925 GHz	6.2	7		kohms
Adjacent port isolation, all isolation	ISOL	Isolation mode, all switches OFF:				
		617 to 960 MHz	39	41		dB
		960 to 2170 MHz	30	33.5		dB
		2170 to 2700 MHz	30	32.5		dB
		3300 to 3800 MHz	25	29.5		dB
		4200 to 5000 MHz	21.5	26		dB
5150 to 5925 MHz	20	27.5		dB		
Adjacent port isolation, RF1, RF2, RF3 or RF4 to GND	ISO	Switch ON mode, RF1 to RF4:				
		617 to 960 MHz	42	44		dB
		960 to 2170 MHz	32	34		dB
		2170 to 2700 MHz	30	32		dB
		3300 to 3800 MHz	22	26		dB
		4200 to 5000 MHz	18.5	20.5		dB
5150 to 5925 MHz	19	22.5		dB		
Non- adjacent port isolation, all isolation	ISO	All switches OFF mode, RF1 to RF4:				
		617 to 960 MHz	60	62		dB
		960 to 2170 MHz	53	55.5		dB
		2170 to 2700 MHz	53	55		dB
		3300 to 3800 MHz	50	52.5		dB
		4200 to 5000 MHz	32	34		dB
5150 to 5925 MHz	41	43.5		dB		
Non-adjacent port isolation, RF1, RF2, RF3 or RF4 to GND	ISO	Switch ON mode, RF1 to RF4:				
		617 to 960 MHz	49	51.5		dB
		960 to 2170 MHz	40	42		dB
		2170 to 2700 MHz	37	39.5		dB
		3300 to 3800 MHz	30	32.5		dB
		4200 to 5000 MHz	21	23		dB
5150 to 5925 MHz	31	33		dB		

¹ Performance is guaranteed only under the conditions listed in this table.

Table 5. SKY59272-707LF Harmonic Measurement Specifications¹ (1 of 2)
(VIO = 1.8 V, Top = +25 °C, Characteristic Impedance [Zo] = 50 ohms, Unless Otherwise Noted)

Parameter	Symbol	Test Condition	Min	Typ	Max	Units
Vpeak RF withstanding voltage ²	VPK	25% duty cycle, switch OFF state, shunt configuration @ 50 ohms: 617 to 3800 MHz 4200 to 5000 MHz	80 75	84 77		V V
GSM LB harmonics: 50 ohms VSWR = 6.1		fo = 0.824 to 0.915GHz, PIN = +35 dBm: 2 nd harmonics 3 rd harmonics 2 nd harmonics 3 rd harmonics		-83 -80 -79 -71	-75 -70 -63 -60	dBm dBm dBm dBm
GSM HB harmonics: 50 ohms VSWR = 6:1		fo = 1.710 to 1.910 GHz, PIN = +33 dBm: 2 nd harmonics 3 rd harmonics 2 nd harmonics 3 rd harmonics		-81 -82 -76 -72	-70 -73 -65 -63	dBm dBm dBm dBm
LB harmonics: 50 ohms VSWR = 6:1		fo = 0.617 to 0.960 GHz, PIN = +26 dBm: 2 nd harmonics 3 rd harmonics 2 nd harmonics 3 rd harmonics		-105 -112 -97 -100	-90 -80 -80 -80	dBm dBm dBm dBm
MB harmonics: 50 ohms VSWR = 6:1		fo = 1.427 to 2.17 GHz, PIN = +26 dBm: 2 nd harmonics 3 rd harmonics 2 nd harmonics 3 rd harmonics		-96 -103 -89 -92	-90 -80 -75 -80	dBm dBm dBm dBm
HB harmonics: 50 ohms VSWR = 6:1		fo = 2.3 to 2.69 GHz, PIN = +29 dBm: 2 nd harmonics 3 rd harmonics 2 nd harmonics 3 rd harmonics		-88 -101 -80 -93	-80 -80 -66 -68	dBm dBm dBm dBm
UHB harmonics: 50 ohms VSWR = 6:1		fo = 3.3 to 3.8 GHz, PIN = +29 dBm: 2 nd harmonics 3 rd harmonics 2 nd harmonics 3 rd harmonics		-85 -87 -78 -75	-75 -80 -65 -68	dBm dBm dBm dBm
Sub6G 2nd harmonic	2fo	Isolation mode, 50 ohms, PIN = +26 dBm, 4200 to 5000 MHz, RF1 to RF4, CW, VIO = 1.65 to 1.95 V		-88	-72	dB
Sub6G 3rd harmonic	3fo			-101	-80	dB
Wi-Fi 2nd harmonic	2fo	Isolation mode, 50 ohms, PIN = +26 dBm, 5150 to 5925 MHz, RF1 to RF4, CW, VIO = 1.65 to 1.95 V		-86	-75	dB
Wi-Fi 3rd harmonic	3fo			-107	-80	dB
Sub6G 2nd harmonic	2fo	Isolation mode, VSWR = 6:1, PIN = +26 dBm, 4200 to 5000 MHz, RF1 to RF4, CW, VIO = 1.65 to 1.95 V		-81	-64	dB
Sub6G 3rd harmonic	3fo			-88	-57	dB
Wi-Fi 2nd harmonic	2fo	Isolation mode, VSWR = 6:1, PIN = +26 dBm, 5150 to 5925 MHz, RF1 to RF4, CW, VIO = 1.65 to 1.95 V		-81	-58	dB
Wi-Fi 3rd harmonic	3fo			-95	-60	dB

Table 5. SKY59272-707LF Harmonic Measurement Specifications¹ (2 of 2)
(V_{IO} = 1.8 V, T_{OP} = +25 °C, Characteristic Impedance [Z₀] = 50 ohms, Unless Otherwise Noted)

Parameter	Symbol	Test Condition	Min	Typ	Max	Units
2nd order input interception point	IIP2	Isolation mode, B3+n78, RF1, RF2, RF3, RF4, TX bands = B3, blocker = N78, B3 = 1745 MHz, P _{IN} = +23.5 dBm, n78 = 3585 MHz, P _{IN} = +13 dBm at RFx port, CW signals. Measure reverse IMD2 @ 1840 MHz for B3 desense	+147	+153		dBm
3rd order input interception point	IIP3	Isolation mode, B2+n66 TX, +25 dBm/tone, B2 TX1 = 1852.5 MHz, n66 TX2 = 1772.5 MHz. Measure forward IMD3 @ 1932.5 MHz at RFx port	+85	+90		dBm
0.1 dB compression point	P0.1 dB	fo = 0.7 to 1 GHz, switch series ON state, CW	+43	+45		dBm
0.1 dB compression point	P0.1 dB	fo = 1 to 2.7 GHz, switch series ON state, CW	+43	+45		dBm
0.1 dB compression point	P0.1 dB	fo = 3.3 to 4.2 GHz, switch series ON state, CW	+43	+45		dBm
0.1 dB compression point	P0.1 dB	fo = 4.4 to 5 GHz, switch series ON state, CW	+42	+44		dBm
0.1 dB compression point	P0.1 dB	fo = 5 to 5.925 GHz, switch series ON state, CW	+42	+44		dBm

¹ Performance is guaranteed only under the conditions listed in this table.

² The values are measured in a shunt configuration with the switch in an all ISOLATION state.

Table 6. SKY59272-707LF Truth Table

Register 0									
State	Mode	D7	D6	D5	D4	D3	D2	D1	D0
1	Isolation	x	x	x	x	0	0	0	0
2	RF1 to GND	x	x	x	x	0	0	0	1
3	RF2 to GND	x	x	x	x	0	0	1	0
4	RF3 to GND	x	x	x	x	0	1	0	0
5	RF4 to GND	x	x	x	x	1	0	0	0
6	RF1 and RF2 to GND	x	x	x	x	0	0	1	1
7	RF1 and RF3 to GND	x	x	x	x	0	1	0	1
8	RF1 and RF4 to GND	x	x	x	x	1	0	0	1
9	RF2 and RF3 to GND	x	x	x	x	0	1	1	0
10	RF2 and RF4 to GND	x	x	x	x	1	0	1	0
11	RF3 and RF4 to GND	x	x	x	x	1	1	0	0
12	RF1, RF2, and RF3 to GND	x	x	x	x	0	1	1	1
13	RF1, RF2, and RF4 to GND	x	x	x	x	1	0	1	1
14	RF1, RF3, and RF4 to GND	x	x	x	x	1	1	0	1
15	RF2, RF3, and RF4 to GND	x	x	x	x	1	1	1	0
16	RF1, RF2, RF3, and RF4 to GND	x	x	x	x	1	1	1	1

Table 7. SKY59272-707LF MIPI Register Map

Register Address	Register Name	Data Bit	Bit Name	Default	R/W	Description													
0x00	STATE CONTROL	7:6	RESERVED	0x0	R/W	Reserved for future use													
		5:4	RESERVED	0x0	R/W	Reserved for future use													
		3:0	STATE CONTROL	0x0	R/W	Described in Table 8													
0x1C	PM_TRIGGER	7:6	PWR_MODE	0x0	R/W	Power Mode Control													
		5	Trigger_Mask_2	0x0		If this bit is set to 1, trigger_2 is disabled													
		4	Trigger_Mask_1	0x0		If this bit is set to 1, trigger_1 is disabled													
		3	Trigger_Mask_0	0x0		If this bit is set to 1, trigger_0 is disabled													
		2	Trigger_2	0x0		A write of 1 to this bit loads trigger_2's registers													
		1	Trigger_1	0x0		A write of 1 to this bit loads trigger_1's registers													
		0	Trigger_0	0x0		A write of 1 to this bit loads trigger_0's registers													
0x1D	PRODUCT_ID	7:0	PRODUCT_ID[7:0]	0x9	R	Product Identification													
0x1E	MANUFACTURER_ID	7:0	MANUFACTURER_ID[7:0]	0xA5	R	LSB Manufacturing Identification													
0x1F	MAN_USID	7:6	RESERVED	0x0	R	Reserved for future use													
		5:4	MANUFACTURER_ID[9:8]	0x1	R	MSB Manufacturing Identification													
		3:0	USID[3:0]	0x8	R/W	Programmable USID. A write to these bits programs the USID, selectable via pins 6 and 8: <table border="1" style="margin-left: 20px;"> <thead> <tr> <th>USID1 (Pin 6)</th> <th>USID0 (Pin 8)</th> <th>USID</th> </tr> </thead> <tbody> <tr> <td>VIO or N/C</td> <td>0</td> <td>1000</td> </tr> <tr> <td>VIO or N/C</td> <td>VIO or N/C</td> <td>1001</td> </tr> <tr> <td>0</td> <td>0</td> <td>0110</td> </tr> <tr> <td>0</td> <td>VIO or N/C</td> <td>0111</td> </tr> </tbody> </table>	USID1 (Pin 6)	USID0 (Pin 8)	USID	VIO or N/C	0	1000	VIO or N/C	VIO or N/C	1001	0	0	0110	0
USID1 (Pin 6)	USID0 (Pin 8)	USID																	
VIO or N/C	0	1000																	
VIO or N/C	VIO or N/C	1001																	
0	0	0110																	
0	VIO or N/C	0111																	

Table 8. SKY59272-707LF Command Sequence Bit Definitions

Type	SSC	C11-C8	C7	C6-C5	C4	C3-C0	Parity Bits	BPC	Extended Operation					
									DA7(1)-DA0(1)	Parity Bits	BPC	DA7(n)-DA0(n)	Parity Bits	BPC
Reg0 Write	Y	SA[3:0]	1	Data[6:5]	Data[4]	Data[3:0]	Y	Y	-	-	-	-	-	-
Reg1 Write	Y	SA[3:0]	0	10	Addr[4]	Addr[3:0]	Y	-	Data[7:0]	-	-	-	Y	Y
Reg Read	Y	SA[3:0]	0	11	Addr[4]	Addr[3:0]	Y	Y	Data[7:0]	-	-	-	Y	Y

Legend:

SSC = Sequence start command DA = Data/address frame bits BC = Byte count (# of consecutive addresses)
 C = Command frame bits BPC = Bus park cycle

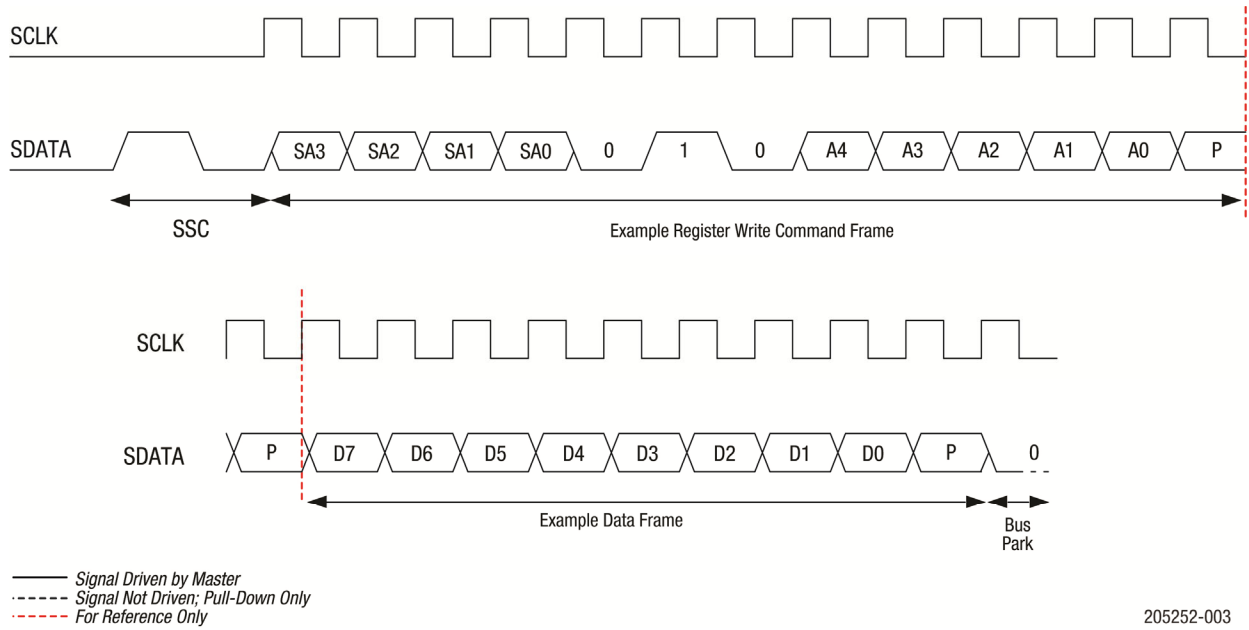


Figure 3. Register Write Command Timing Diagram

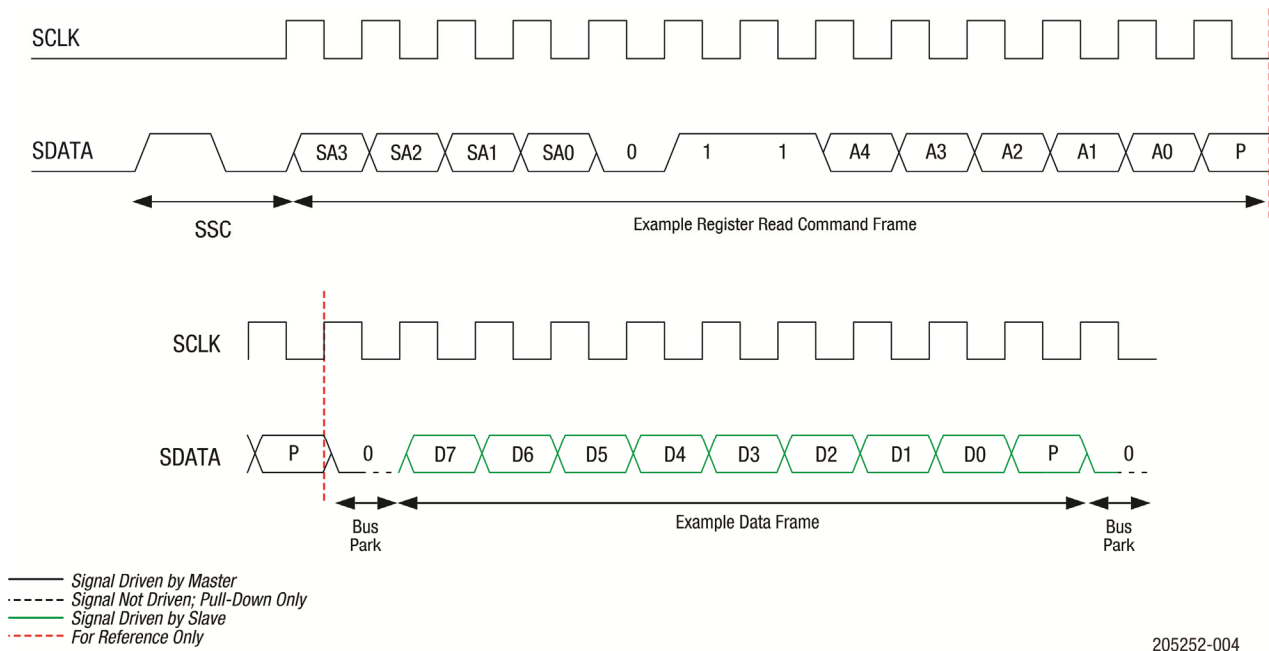


Figure 4. Register Read Command Timing Diagram

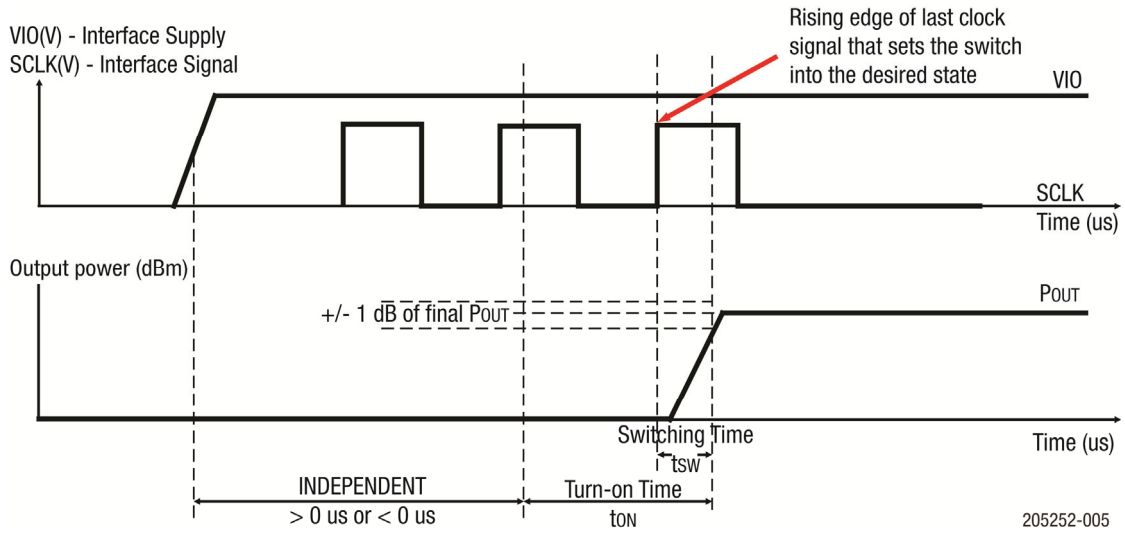
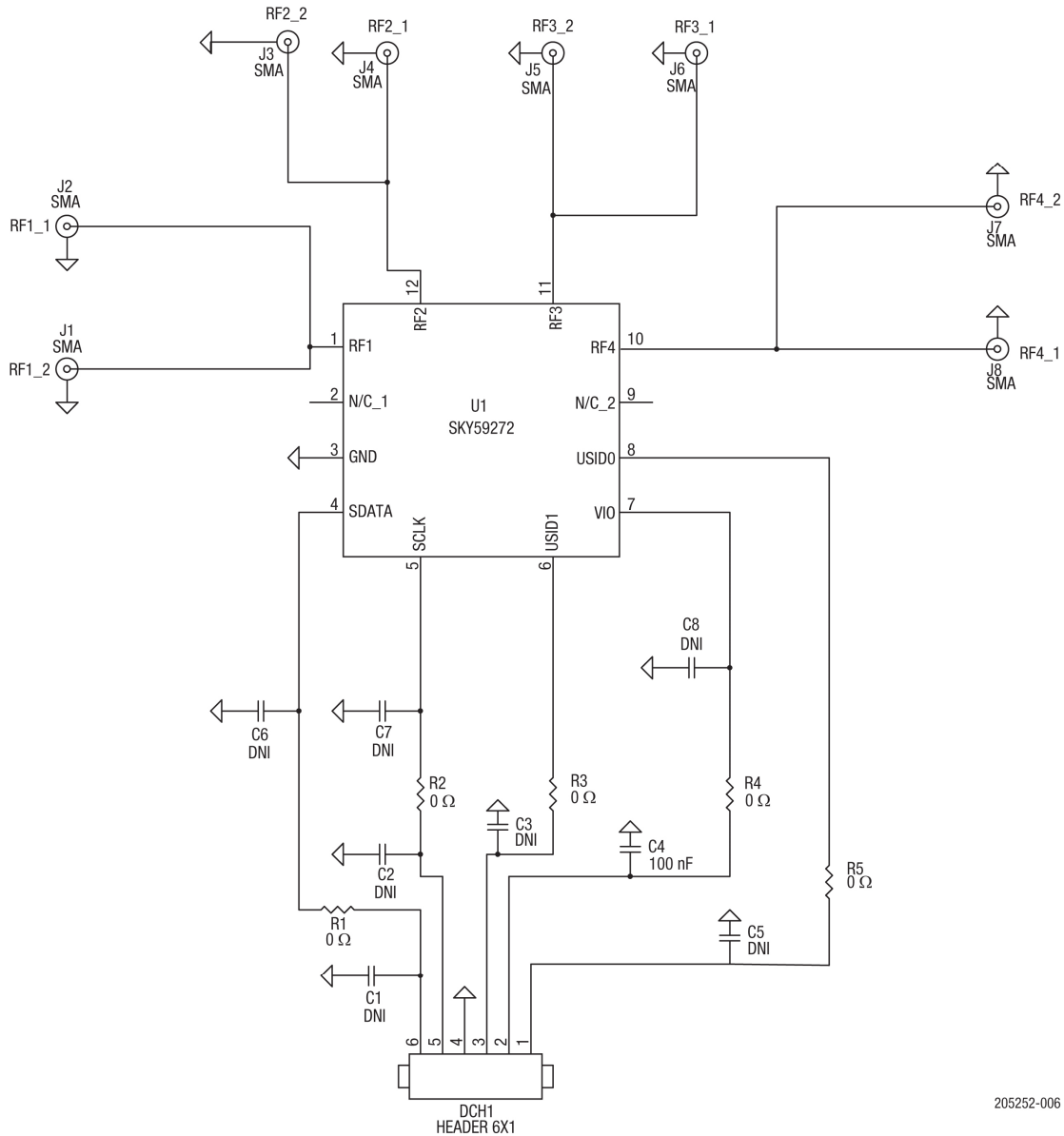


Figure 5. Recommended MIPI Time Sequence Diagram

Evaluation Board Description

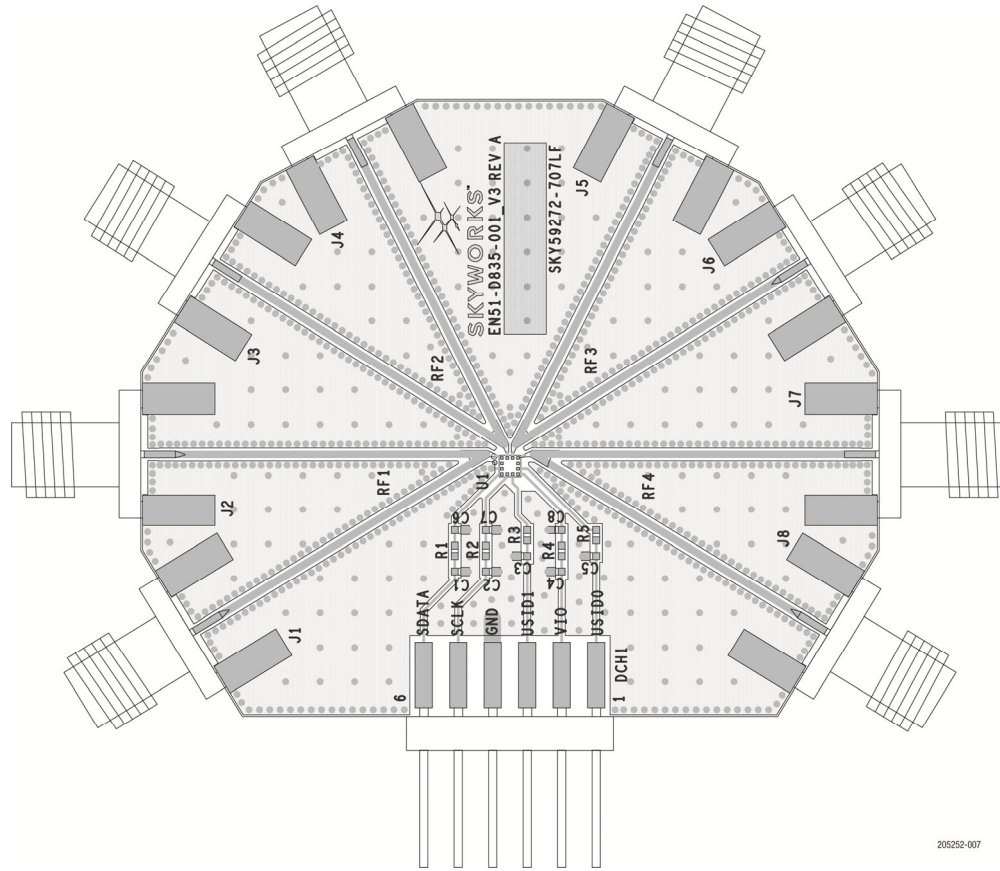
The SKY59272-707LF Evaluation Board is used to test the performance of the SKY59272-707LF 4xSPST Switch.

An Evaluation Board schematic diagram is provided in Figure 6. An assembly drawing for the Evaluation Board is shown in Figure 7.



205252-006

Figure 6. SKY59272-707LF Evaluation Board Schematic



205252-007

Figure 7. SKY59272-707LF Evaluation Board Assembly Diagram

Package Dimensions

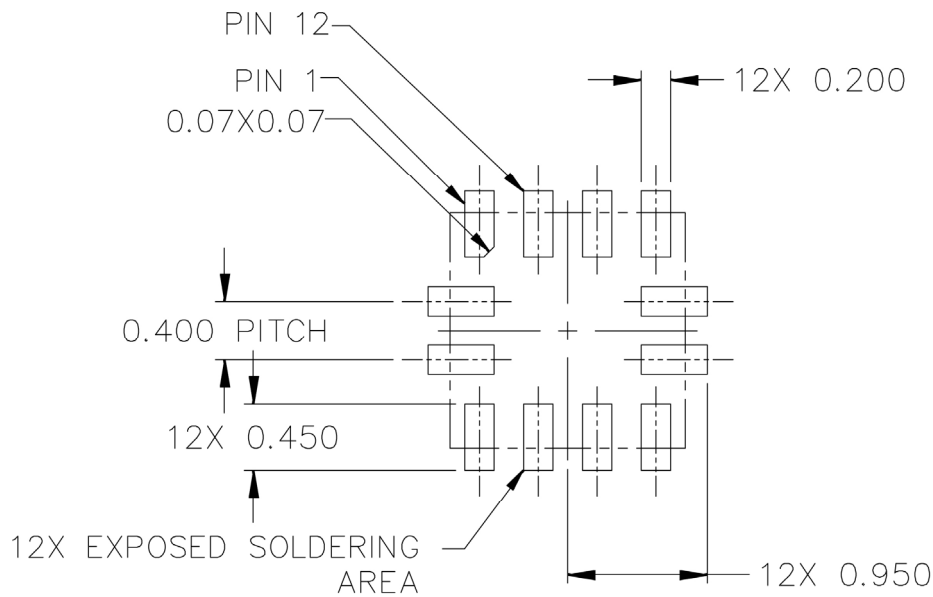
The PCB layout footprint is shown in Figure 8. Typical part markings are shown in Figure 9. Package dimensions for the SKY59272-707LF are shown in Figure 10, and tape and reel dimensions are provided in Figure 11.

Package and Handling Information

Instructions on the shipping container label regarding exposure to moisture after the container seal is broken must be followed. Otherwise, problems related to moisture absorption may occur when the part is subjected to high temperature during solder assembly.

The SKY59272-707LF is rated to Moisture Sensitivity Level 1 (MSL1) at 260 °C. It can be used for lead or lead-free soldering.

Care must be taken when attaching this product, whether it is done manually or in a production solder reflow environment. Production quantities of this product are shipped in a standard tape and reel format.



205252-008

Figure 8. SKY59272-707LF PCB Layout Footprint

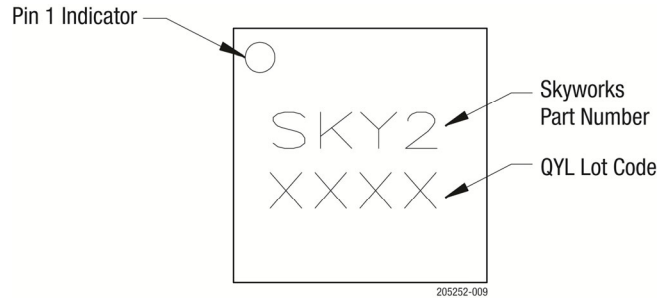


Figure 9. SKY59272-707LF Typical Part Markings (Top View)

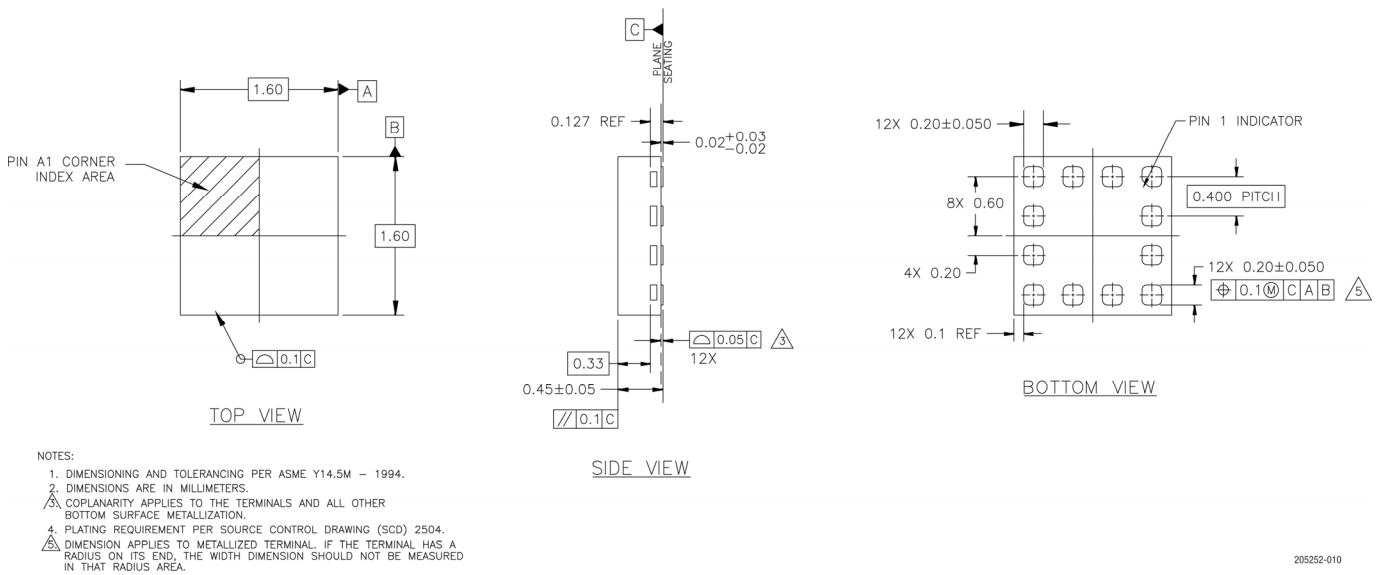
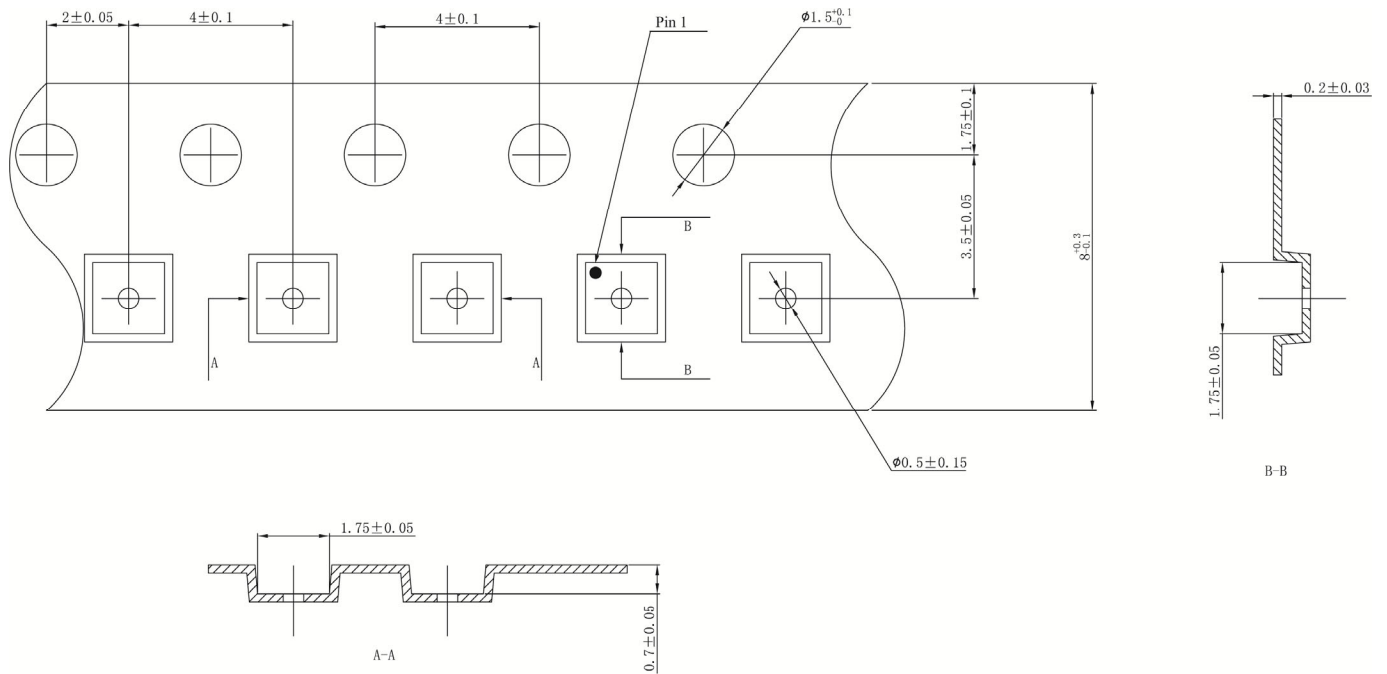


Figure 10. SKY59272-707LF Package Dimensions

DATA SHEET • SKY59272-707LF: Sky5® 0.6 to 6.0 GHz 4XSPST Shunt MIPI® Antenna Tuning Switch



NOTES: [技术要求]:

1. CARRIER TAPE COLOR: BLACK. [载带颜色为黑色]
2. COVER TAPE WIDTH: 5.50±0.10. [配套5.50±0.10宽盖带]
3. COVER TAPE COLOR: TRANSPARENT. [盖带颜色无色透明]
4. 10 SPROCKET HOLE PITCH CUMULATIVE TOLERANCE ±0.20MAX. [10个传送定位孔间距累积公差0.20MAX.]
5. CAMBER NOT TO EXCEED 1 MM IN 100 MM [载带直线弯曲度: ≤1mm/100mm.]
6. MOLD# DFN/QFN/MIS/FBP (1.6×1.6×0.55). [载带规格DFN/QFN/MIS/FBP (1.6×1.6×0.55)]
7. ALL DIMS IN mm. [所有单位为mm]
8. BAN TO USE THE LEVEL 1 ENVIRONMENT-RELATED SUBSTANCES OF JCET PRESCRIBING. [禁止使用长电科技规定的一级环境管理物质]
9. THE DIRECTION OF VIEW: 。 [视图方向:]

205252-011

Figure 11. SKY59272-707LF Tape and Reel Dimensions

Ordering Information

Part Number	Product Description	Evaluation Board Part Number
SKY59272-707LF	0.6 to 6.0 GHz 4XSPST Shunt MIPI Antenna Tuning Switch	SKY59272-707EK1

Copyright © 2019-2020 Skyworks Solutions, Inc. All Rights Reserved.

Information in this document is provided in connection with Skyworks Solutions, Inc. (“Skyworks”) products or services. These materials, including the information contained herein, are provided by Skyworks as a service to its customers and may be used for informational purposes only by the customer. Skyworks assumes no responsibility for errors or omissions in these materials or the information contained herein. Skyworks may change its documentation, products, services, specifications or product descriptions at any time, without notice. Skyworks makes no commitment to update the materials or information and shall have no responsibility whatsoever for conflicts, incompatibilities, or other difficulties arising from any future changes.

No license, whether express, implied, by estoppel or otherwise, is granted to any intellectual property rights by this document. Skyworks assumes no liability for any materials, products or information provided hereunder, including the sale, distribution, reproduction or use of Skyworks products, information or materials, except as may be provided in Skyworks Terms and Conditions of Sale.

THE MATERIALS, PRODUCTS AND INFORMATION ARE PROVIDED “AS IS” WITHOUT WARRANTY OF ANY KIND, WHETHER EXPRESS, IMPLIED, STATUTORY, OR OTHERWISE, INCLUDING FITNESS FOR A PARTICULAR PURPOSE OR USE, MERCHANTABILITY, PERFORMANCE, QUALITY OR NON-INFRINGEMENT OF ANY INTELLECTUAL PROPERTY RIGHT; ALL SUCH WARRANTIES ARE HEREBY EXPRESSLY DISCLAIMED. SKYWORKS DOES NOT WARRANT THE ACCURACY OR COMPLETENESS OF THE INFORMATION, TEXT, GRAPHICS OR OTHER ITEMS CONTAINED WITHIN THESE MATERIALS. SKYWORKS SHALL NOT BE LIABLE FOR ANY DAMAGES, INCLUDING BUT NOT LIMITED TO ANY SPECIAL, INDIRECT, INCIDENTAL, STATUTORY, OR CONSEQUENTIAL DAMAGES, INCLUDING WITHOUT LIMITATION, LOST REVENUES OR LOST PROFITS THAT MAY RESULT FROM THE USE OF THE MATERIALS OR INFORMATION, WHETHER OR NOT THE RECIPIENT OF MATERIALS HAS BEEN ADVISED OF THE POSSIBILITY OF SUCH DAMAGE.

Skyworks products are not intended for use in medical, lifesaving or life-sustaining applications, or other equipment in which the failure of the Skyworks products could lead to personal injury, death, physical or environmental damage. Skyworks customers using or selling Skyworks products for use in such applications do so at their own risk and agree to fully indemnify Skyworks for any damages resulting from such improper use or sale.

Customers are responsible for their products and applications using Skyworks products, which may deviate from published specifications as a result of design defects, errors, or operation of products outside of published parameters or design specifications. Customers should include design and operating safeguards to minimize these and other risks. Skyworks assumes no liability for applications assistance, customer product design, or damage to any equipment resulting from the use of Skyworks products outside of stated published specifications or parameters.

Skyworks, the Skyworks symbol, Skyworks Green™, and Sky5® are trademarks or registered trademarks of Skyworks Solutions, Inc. or its subsidiaries in the United States and other countries. Third-party brands and names are for identification purposes only and are the property of their respective owners. Additional information, including relevant terms and conditions, posted at www.skyworksinc.com, are incorporated by reference.