

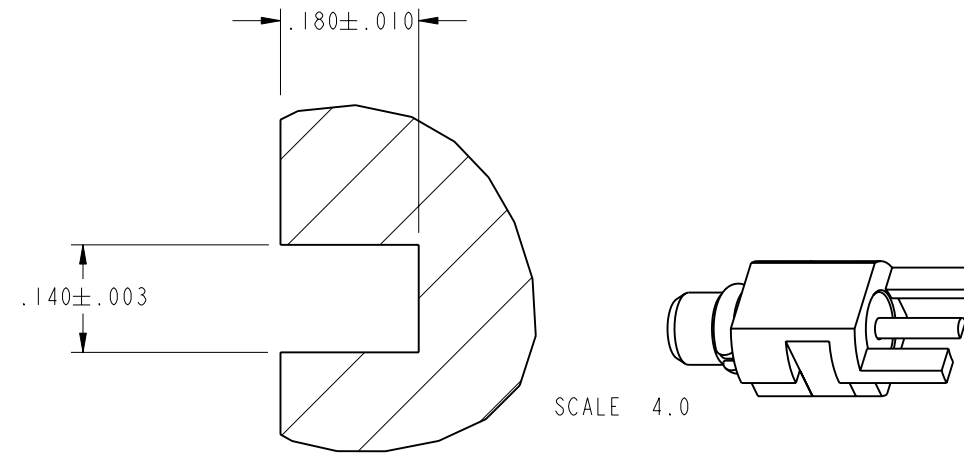
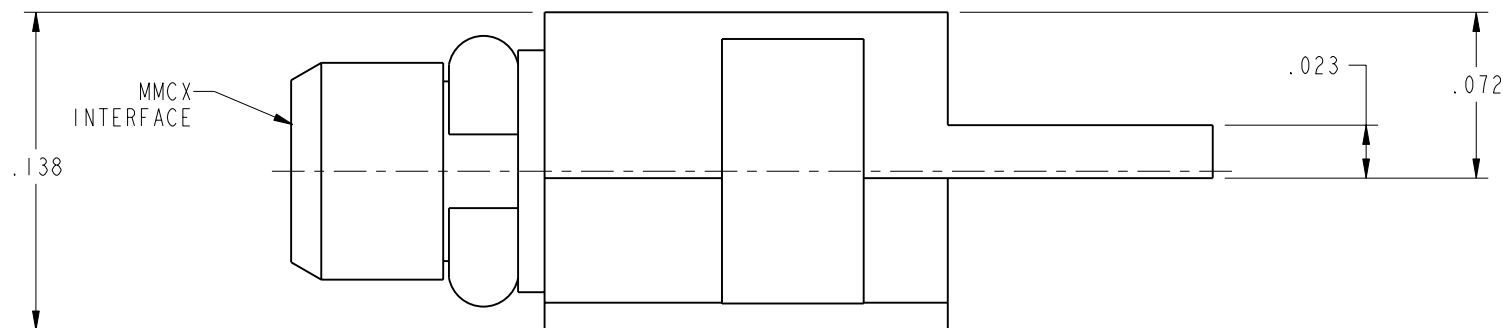
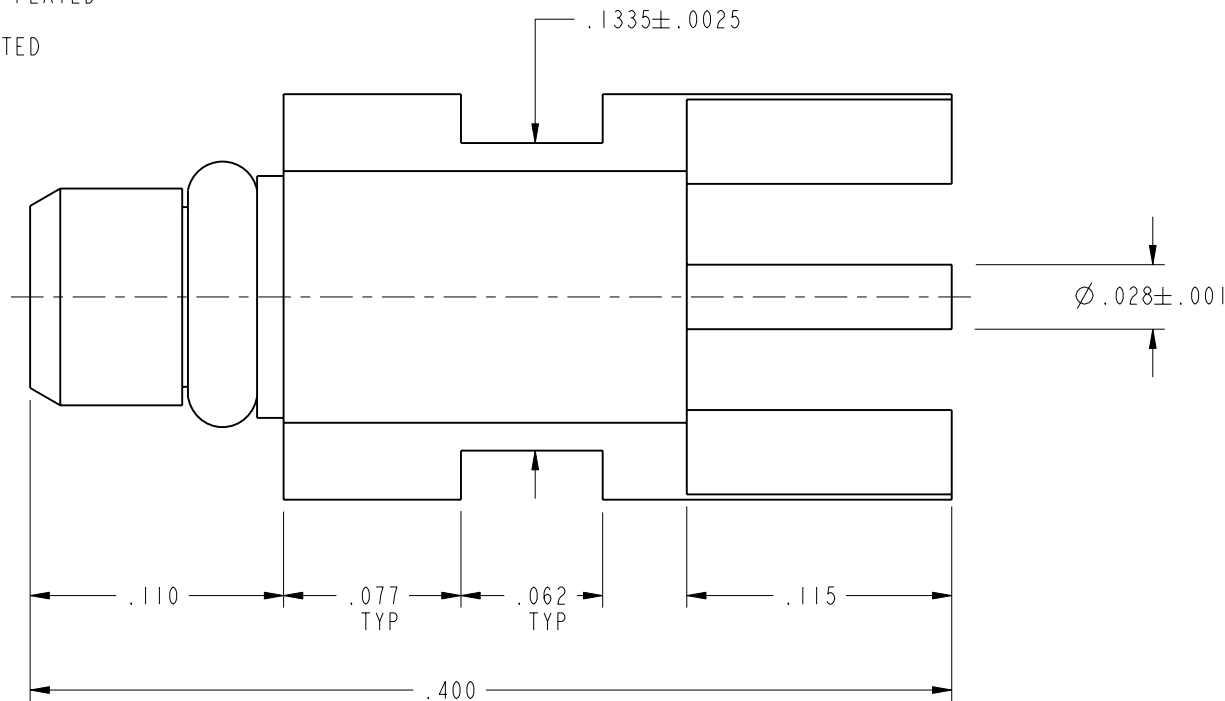
908-21102		REVISIONS			
DRAWING NO.	REV	DESCRIPTION	DATE	ECO	APPR
THIRD ANGLE PROJ.	A	OFFICIAL RELEASE TO MFG	09-12-96	41536	DL/BCG
	B	REVISED, SEE ECO FOR DETAILS	10/10/96	41570	DL/
	C	ADD COPLANAR REF NOTE	2/21/01	43687	CPM

NOTES:

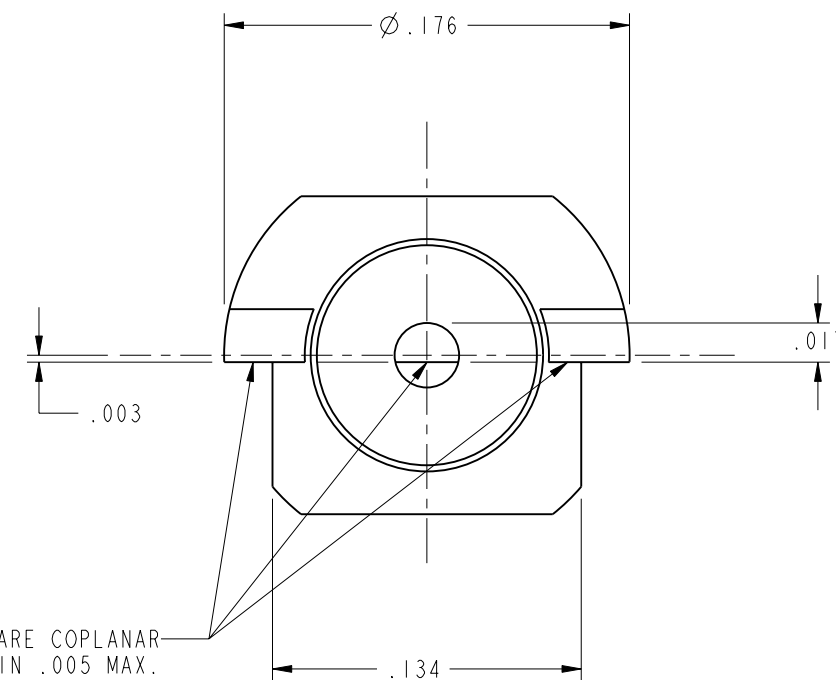
- DO NOT SCALE THIS DRAWING.
- MATERIALS OF CONSTRUCTION:

BODY - BRASS, GOLD PLATED  
 CONTACT - BRASS, GOLD PLATED  
 INSULATOR - PTFE  
 RING - BeCu, GOLD PLATED

CUSTOMER OUTLINE DRAWING  
 ALL OTHER SHEETS ARE FOR INTERNAL USE ONLY



RECOMMENDED PCB CUTOUT



UNLESS OTHERWISE SPECIFIED, DIMENSIONS ARE IN INCHES AND TOLERANCES ARE: 2 PLACE DECIMAL ±.015 (0,381 mm) 3 PLACE DECIMAL ±.005 (0,127 mm) ANGLES ± 1°	MATERIAL	DRAWN D. LUI	DATE 29-Aug-96	TITLE MICRO MATE PLUG PCB EDGE MOUNT	Amphenol Amphenol Corporation Communication and Network Products Division Danbury, CT U.S.A. 06810
	REFERENCE	ENGINEER B. GLEISSNER	DATE 29-Aug-96		
NOTICE - These drawings, specifications, or other data (1) are, and remain the property of Amphenol Corp. (2) must be returned upon request; and (3) are confidential and not to be disclosed to any person other than those to whom they are given by Amphenol Corp. The furnishing of these drawings, specifications, or other data by Amphenol Corp., or to any other person to anyone for any purpose is not to be regarded by implication or otherwise in any manner licensing, granting rights or permitting such holder or any other person to manufacture, use or sell any product, process or design, patented or otherwise, that may in any way be related to or disclosed by said drawings, specifications, or other data.	EAR 966172-1 615X-1431-200 GEN# ASSYMI_MMCX	APPROVED B. GLEISSNER	DATE 03-Sep-96	CODE ID 74868	DWG SIZE B
		CAD FILE I:\MMCX\908-21102		DRAWING NO. 908-21102	REV C