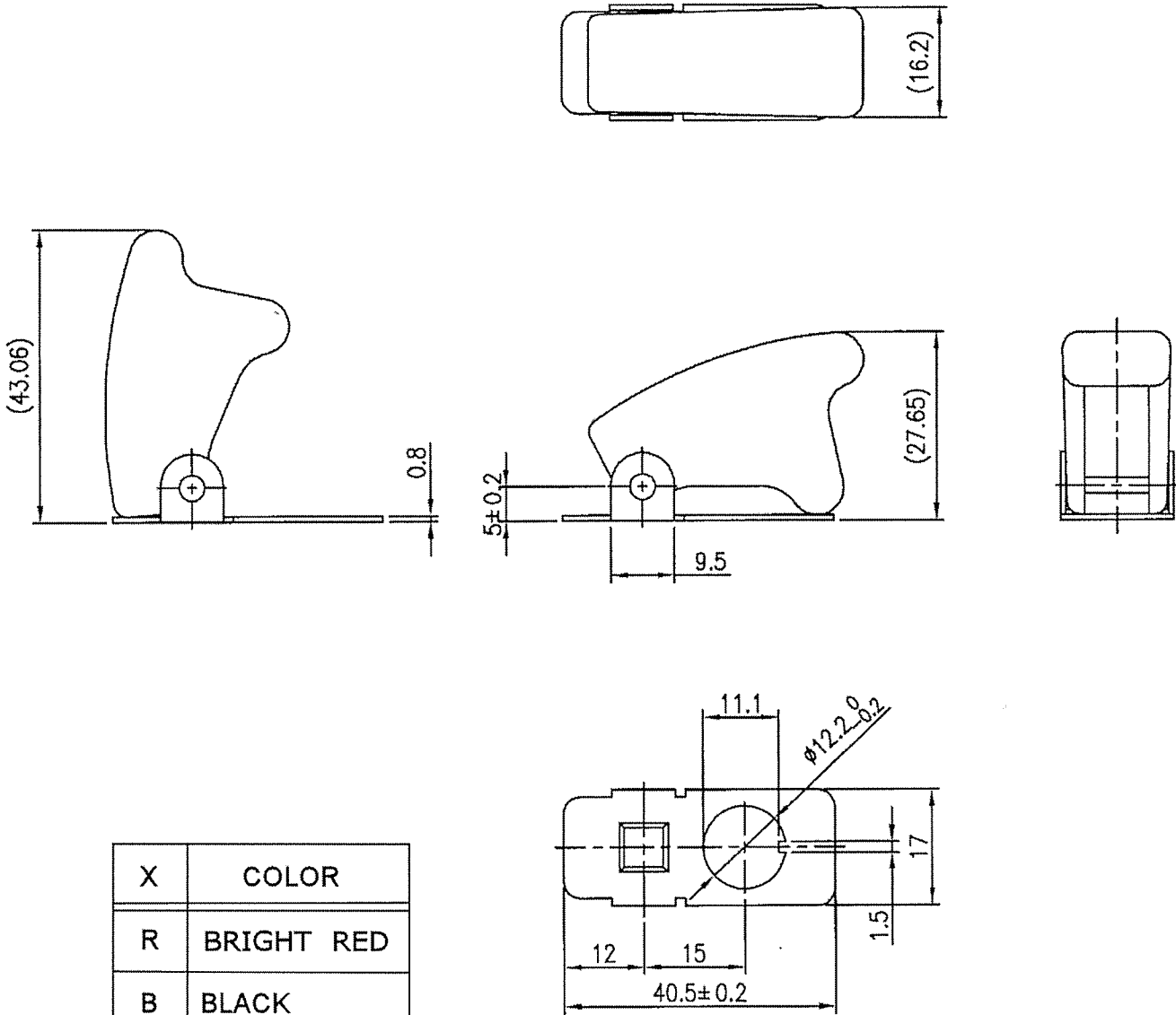


THIS INFORMATION IS CONFIDENTIAL AND PROPRIETARY TO CW INDUSTRIES INCORPORATED AND ITS AFFILIATES. IT MAY NOT BE DISCLOSED TO ANYONE, OTHER THAN CW INDUSTRIES PERSONNEL, WITHOUT WRITTEN AUTHORIZATION FROM CW INDUSTRIES INCORPORATED, SOUTHAMPTON, PENNSYLVANIA USA.

Face Plate is steel, with Black glossy finish.  
 Spring - Loaded Switch Cover is ABS. X = Color in Part Number.  
 Mounting Hole diameter: 12.2 (0.481").  
 Accepts Switches with standard 12.0 mm or 15/32"  
 diameter mounting stems.  
 Accepts standard 17.5 mm (11/16") Switch Handles.



X	COLOR
R	BRIGHT RED
B	BLACK
W	WHITE

Tolerance: +/- 0.2mm, Unless otherwise specified.

RoHS Compliant

1 Corrected the spelling of standard in notes. 8/28/12.

**CW INDUSTRIES**  
 Southampton, Pa. 18966  
 Tel 215.355.7080/www.cwind.com

Date Drawn: 7/30/12

Rev. 1

Unit: mm

Checked By: *G Gold*

Title: **SAFETY COVER**

CW P/N: **GT-4X**