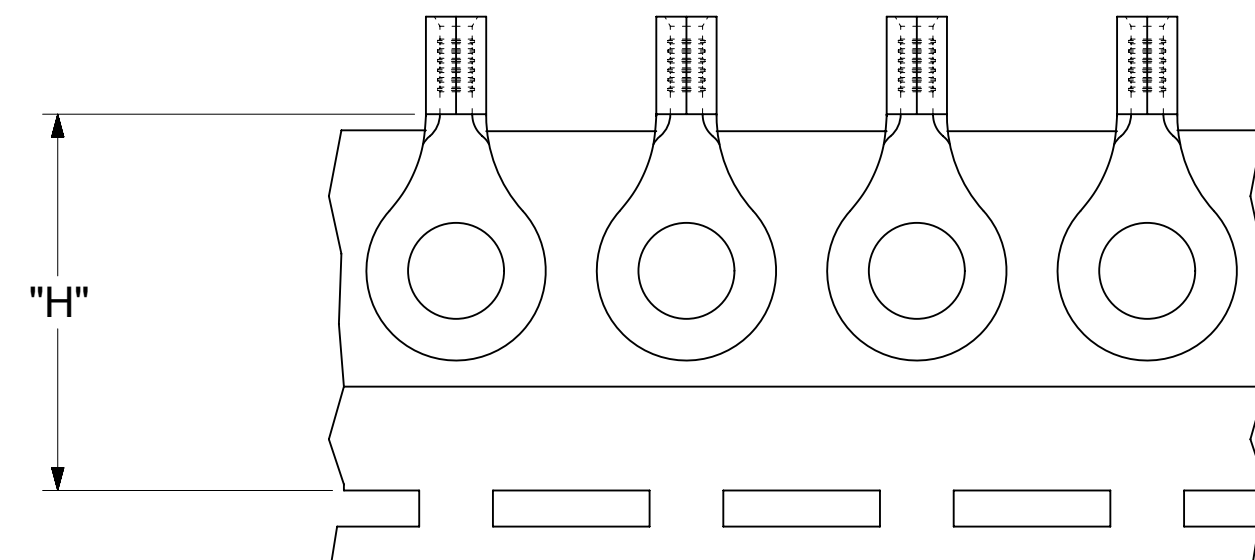
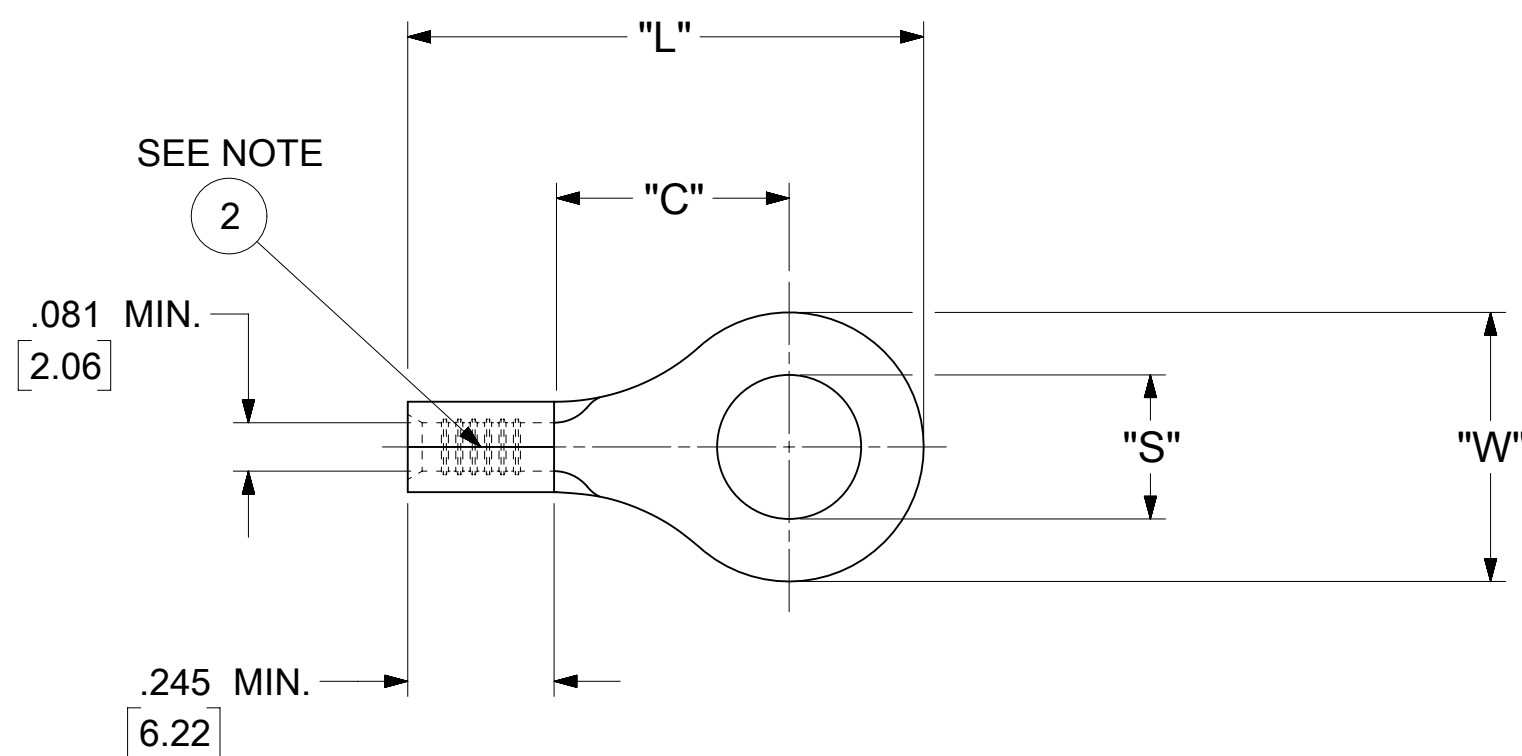


LOOSE PIECE		TAPE MOUNTED		SPECIFICATIONS						
MATERIAL NUMBER	ENGINEERING NUMBER	MATERIAL NUMBER	ENGINEERING NUMBER	STUD SIZE	"S" ±.005 [0.13]	"W" ±.010 [0.25]	"C" MIN.	"L" MAX.	"H"	STOCK ±.001 [0.025] THICKNESS
190560055	B-318-14	---	---	14	.265 [6.73]	.534 [13.56]	.554 [14.07]	1.115 [28.32]	---	.031 [0.79]
190560057	B-318-38	---	---	38	.390 [9.91]					
190560059	B-318-56	---	---	56	.328 [8.33]					
190560063	B-323-04	---	---	4	.119 [3.02]	.250 [6.35]	.209 [5.31]	.639 [16.23]	.980 [24.89]	.031 [0.79]
190560065	B-323-06	190560067	B-323-06T	6	.146 [3.71]					
190560068	B-323-08	---	---	8	.173 [4.39]					
190560070	B-325-10	---	---	10	.198 [5.03]	.467 [11.86]	.388 [9.86]	.916 [23.27]	.980 [24.89]	.031 [0.79]
190560072	B-325-14	190560074	B-325-14T	14	.265 [6.73]					
190560075	B-325-56	---	---	56	.328 [8.33]					
190560102	B-337-04	---	---	4	.119 [3.02]	.312 [7.92]	.285 [7.24]	.730 [18.54]	.980 [24.89]	.031 [0.79]
190560104	B-337-06	---	---	6	.146 [3.71]					
190560106	B-337-08	190560108	B-337-08T	8	.173 [4.39]					
190560109	B-337-10	190560111	B-337-10T	10	.198 [5.03]					
190560114	B-339-06	---	---	6	.146 [3.71]	.342 [8.69]	.310 [7.87]	.775 [19.69]	---	.031 [0.79]
190560116	B-339-08	---	---	8	.173 [4.39]					
190560118	B-339-10	---	---	10	.198 [5.03]					



PARTS ON TAPE

NOTES:

- MATERIAL: COPPER
PLATING: ELECTRO-TIN (.0003 MIN).
- BRAZED SEAM
- WIRE SIZE: 16-14 AWG
1.0-2.5 MM²
- ALL DIMENSIONS IN INCHES/[MM].
- PARTS ARE ROHS COMPLIANT.
- DIMS. SHOWN ARE FOR REFERENCE ONLY.

SYMBOLS	THIS DRAWING CONTAINS INFORMATION THAT IS PROPRIETARY TO MOLEX ELECTRONIC TECHNOLOGIES, LLC AND SHOULD NOT BE USED WITHOUT WRITTEN PERMISSION									
	DIMENSION UNITS		SCALE		CURRENT REV DESC: MIGRATION TO ECTR/NX					
▽ = 0	INCH/MM		NTS		EC NO: 620952 DRWN: ABENJAMINLW 2019/06/13 CHK'D: GROJAS01 2019/07/19 APPR: JMACNEIL 2019/08/05 INITIAL REVISION: DRWN: JJ 1984/11/28 APPR: JMACNEIL 2019/08/05					
▽ = 0	GENERAL TOLERANCES (UNLESS SPECIFIED)									
▽ = 0			MM	INCH						
▽ = 0	4 PLACES	±	---	±						
▽ = 0	3 PLACES	±	---	±	.005					
▽ = 0	2 PLACES	±	0.13	±	.01					
▽ = 0	1 PLACE	±	0.25	±	---					
▽ = 0	0 PLACES	±	---	±	---					
▽ = 0	ANGULAR TOL		± 0.5 °			THIRD ANGLE PROJECTION				
▽ = 0	DRAFT WHERE APPLICABLE MUST REMAIN WITHIN DIMENSIONS				DRAWING		SERIES		SHEET NUMBER	
▽ = 0					C-SIZE		19056		1 OF 1	

molex

RING TONGUE TERMINAL
VERSAKRIMP 300-SERIES

PRODUCT CUSTOMER DRAWING

DOCUMENT NUMBER	DOC TYPE	DOC PART	REVISION
190560053	PSD	000	A

MATERIAL NUMBER	CUSTOMER	SHEET NUMBER
SEE TABLE	GENERAL MARKET	1 OF 1

NOTES:

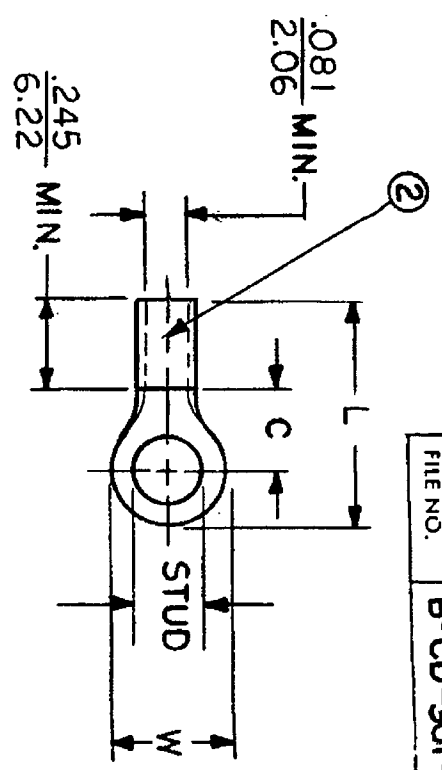
- ① MAT'L: COPPER (STOCK TKN. $\frac{.031}{.79}$)
PLATING: ELECTRO-TIN (.0003 MIN.)
- ② BRAZED SEAM

STUD SIZES: (+.005)

- 02 = .094
- 04 = .119
- 06 = .146
- 08 = .173
- 10 = .198
- 14 = .265
- 56 = .328
- 38 = .390

"UL" LISTING # E32244
"CSA" LISTING # 18689

ALL DIMENSIONS = INCHES
MM



FILE NO. B-CD-301-01

WIRE SIZE: 16-14 AWG
1.0-2.5 MM²

PART NUMBER	"W" ±.010	"C" MIN.	"L" MAX.	SCALE: NTS	DATE	TITLE:	DWG. NO.	CUSTOMER DWG.
B-318-	$\frac{.534}{13.56}$	$\frac{.554}{14.07}$	$\frac{1.115}{28.32}$	JJ	11/28/84	RING TONGUE TERMINAL	A	
B-323-	$\frac{.250}{6.35}$	$\frac{.209}{5.31}$	$\frac{.639}{16.23}$	GA	11/30/84	VERSAKRIMP 300-SERIES	A	
B-325-	$\frac{.467}{11.86}$	$\frac{.388}{9.86}$	$\frac{.916}{23.27}$					
B-337-	$\frac{.312}{7.92}$	$\frac{.285}{7.24}$	$\frac{.730}{18.54}$					
B-339-	$\frac{.342}{8.69}$	$\frac{.310}{7.87}$	$\frac{.775}{19.69}$					



DWG. NO. A CUSTOMER DWG.