



Conforms to EN418, EN292, ISO/IEC13850, EN60947-5-1
UL and C-UL listed



G

safety interlock switches

ER6019

Combination Rope and Push-Button Actuated Emergency Stop Switch

- Long rope spans of up to 75 m (246 ft.) for standard model and up to 125 m (410 ft.) for extended model means fewer number of switches required per application
- Heavy-duty housing—the die-cast housing and stainless steel eye nut make the ER6019 suitable for demanding industrial applications
- NEMA 6 enclosure enables the ER6019 switch to withstand water washdown cleaning
- Integral E-stop—the lid-mounted E-stop button provides emergency stopping capability at the extreme end of the installation
- Status indicator—the lid-mounted status indicator makes the system easy to set up and to maintain the proper rope tension
- Variety of contacts—three or four sets of contacts to satisfy the most demanding applications
- Vibration tolerant—the snap-acting switch contacts protect against nuisance tripping due to vibration
- Long life—the ER6019 switch is designed for a minimum of one million actuations
- Conduit beacons are available to provide visual status indication (order separately from accessories section)

A Go to the Engineering Guide
For in-depth information on safety standards and use.

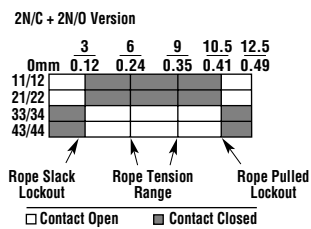
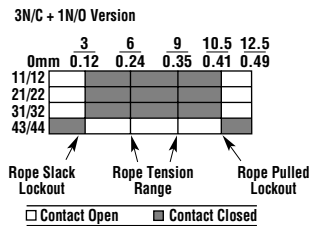
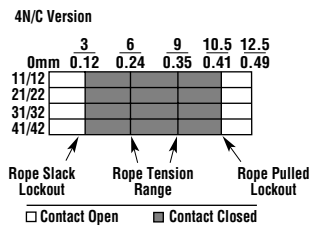
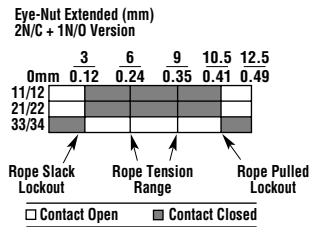
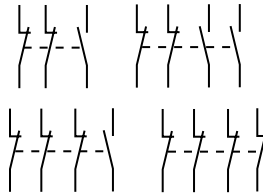
■ Operation

Rope-Status Indicator on Lid



The rope status indicator makes the system easy to set up and maintain for spans up to 410 ft.

Contact Arrangements



Installation Hardware Available



Rope Tension Kits

The RTK Rope Tension Kits provide a revolutionary tensioning system that substantially reduces set-up time and provides all the necessary components in a single package.

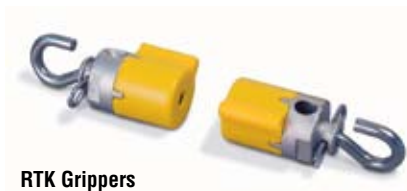


Installation Hardware

All conventional hardware items are available and may be ordered as separate items.



RTK Tensioner

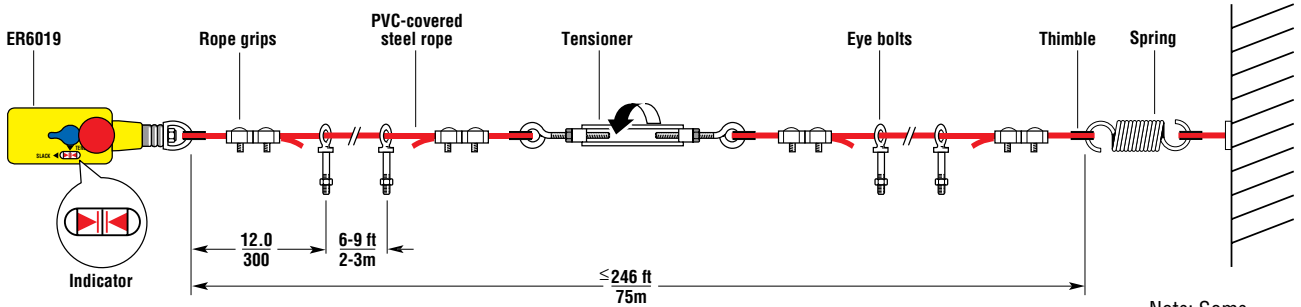


RTK Grippers

■ Operation (continued)

Mounting Specifications

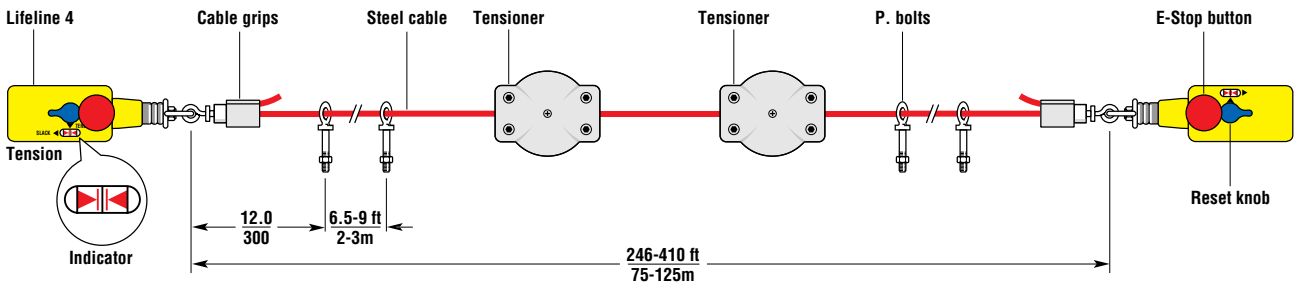
Standard Model



Note: Some installations may require a ER6019 on both ends.

G
safety interlock switches

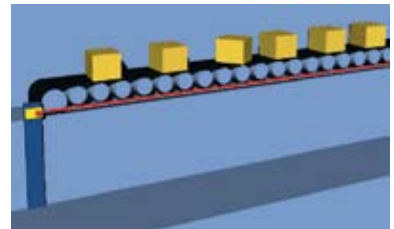
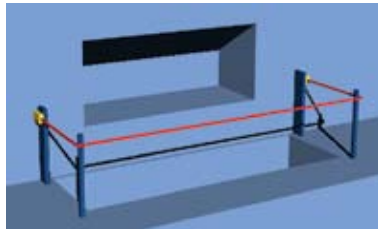
Extended Model



 For a guide to installing, see "Proper Installation of Rope or Wire Pull Switches" in the Engineering Section of this catalog.

■ Applications

Typical applications are on conveyor systems, across rotating machinery, and around hazardous areas.



A Go to the Engineering Guide
For in-depth information on safety standards and use.

■ Specifications

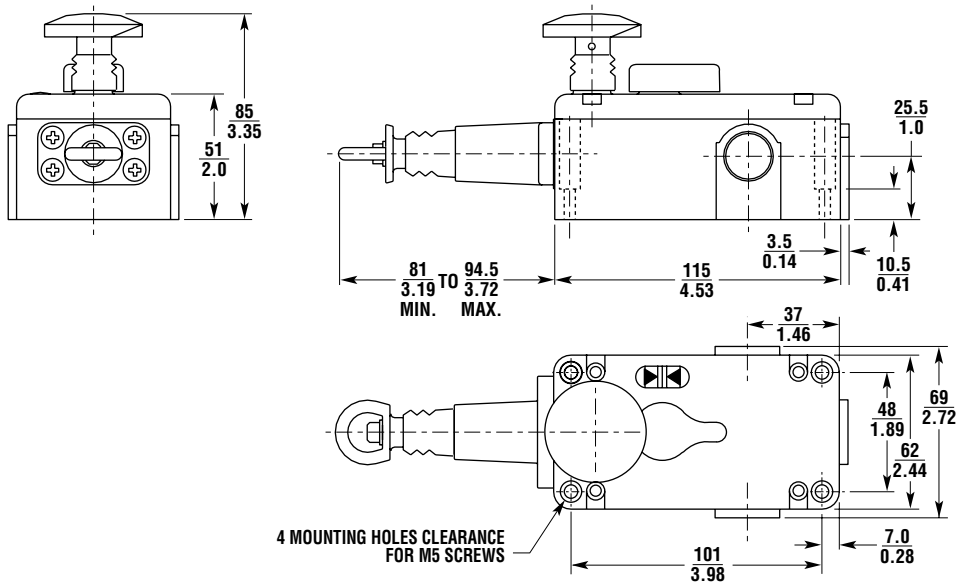
Electrical	All Models
Contact Configurations:	2 N/C + 1 N/O , 2 N/C + 2 N/O, 3 N/C + 1 N/O, 4 N/C
Safety Contacts:	2 N/C, 3 N/C, 4 N/C positive break
Switching Ability	
AC:	500 V–1 A, 250 V–2 A, 100 V–5 A
DC:	250 V–0.5 A, 125 V–1 A, 24 V–2 A
Safety Contact Gap:	2 x 2 mm or 3 x 2 mm or 4 x 2 mm
Auxiliary Contacts:	1 N/O or 1 N/C or 2 N/O
Max Switching Current/Volt/Amp:	500 V/500 VA
Minimum Current:	5 V 5 mA DC
Electrical Life:	1 x 10 ⁶ minimum
Mechanical	
Mounting:	Any position
Mounting Hardware:	4 x M5 screws
Actuator Travel for Positive Opening:	See diagram on previous page
Max Rope Span:	75 m (246 ft.) for standard model 75 to 125 m (246 to 410 ft.) for extended model
Break Contact Min Force:	< 125 N (28 lb.)
Max Actuation Speed:	N/A
Max Actuation Frequency:	1 cycle per sec
Case Material:	Die-cast alloy
Eye Nut Material:	Stainless steel
Wiring Entry:	3 x 0.5 in. NPT conduit
Weight:	630 g (22.2 oz.)
Color:	Yellow body, Red E-stop button
Mechanical Life:	1 x 10 ⁶ minimum
Environmental	
Protection:	IP66 (NEMA 6)
Operating Temperature:	-25 to 80°C (-13 to 176°F)
Cleaning:	Water washdown
Compliance	
Standards:	EN418, EN292, ISO/IEC13850, EN60947-5-1
Approvals/Listings:	CE marked for all applicable directives, UL and C-UL

Specifications are subject to change without notice.

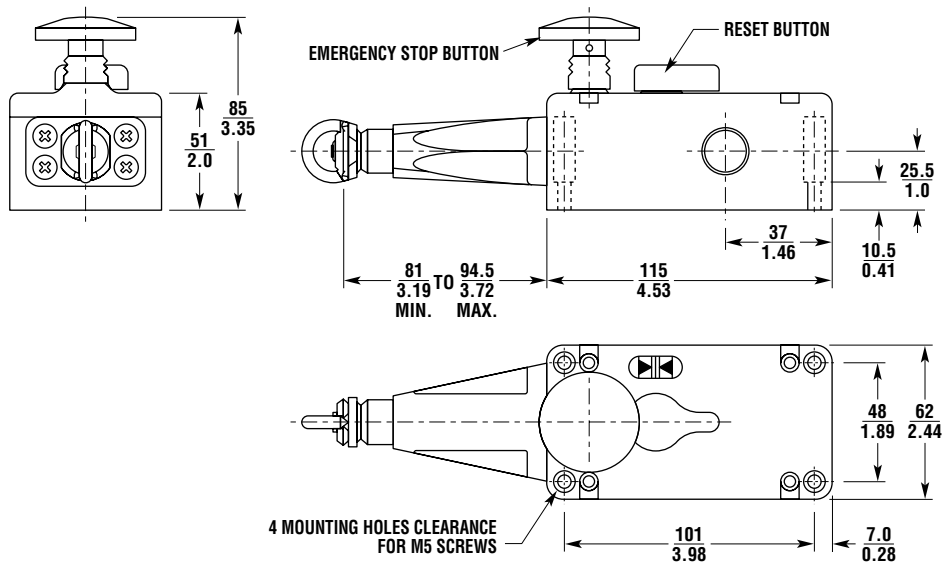
Note: The safety contacts of the Omron STI switches are described as normally closed (N/C)—i.e., with the guard closed, actuator in place, and the machine able to be started.

■ Dimensions — mm/in.

Standard Model



Extended Model



A Go to the Engineering Guide
For in-depth information on
safety standards and use.

■ Ordering

Model	Contacts	Wiring Entry	Part No.
ER6019-021SN	2 N/C + 1 N/O	3 x 0.5 in. NPT conduit	44506-0050
ER6019-021SM	2 N/C + 1 N/O	3 x M20	44506-0100
ER6019-022SN	2 N/C + 2 N/O	3 x 1/2 in. NPT	44506-2020
ER6019-031SN	3 N/C + 1 N/O	3 x 1/2 in. NPT	44506-2030
ER6019-040SN	4 N/C	3 x 1/2 in. NPT	44506-2040
ER6019-022SNE	2 N/C + 2 N/O	3 x 1/2 in. NPT	44506-3020
ER6019-031SNE	3 N/C + 1 N/O	3 x 1/2 in. NPT	44506-3030
ER6019-040SNE	4 N/C	3 x 1/2 in. NPT	44506-3040
RTK-5, Rope Tension Kit with 5 m of Red Steel Rope			44506-1705
RTK-10, Rope Tension Kit with 10 m of Red Steel Rope			44506-1710
RTK-15, Rope Tension Kit with 15 m of Red Steel Rope			44506-1715
RTK-20, Rope Tension Kit with 20 m of Red Steel Rope			44506-1720
RTK-30, Rope Tension Kit with 30 m of Red Steel Rope			44506-1730
RTK-50, Rope Tension Kit with 50 m of Red Steel Rope			44506-1750
RTK-75, Rope Tension Kit with 75 m of Red Steel Rope			44506-1775
RTK Hardware Only (2 Grippers and Tensioner)			44506-1700
RTK Tensioner Only (with Allen Wrench)			44506-1701
RTK Gripper (2 Pack)			44506-1702
RTK Extended Hardware Only (2 Tensioners, 2 Grippers)			44506-1703
Tensioner Kit (1 Turnbuckle, 8 Rope Grips, 4 Thimbles)			44506-0700
PVC-Covered Steel Rope (Red) 1/8 in. Diameter			44506-0710
PVC-Covered Steel Rope (Yellow) 1/8 in. Diameter			44506-0740
Eyebolt			44506-0720
Replacement Eye Nut			44506-0160
Spring			44506-0730
Spare Lid with E-Stop Button			44506-0150
Conduit Lights (see pages G239 & G240)			
Accessories (see page G238)			

G

safety interlock switches