

SAW Filter 915.50MHz
Part No: MP05723

Model: TA1456A
Rev No: 1

A. MAXIMUM RATING:

Electrostatic Sensitive Device (ESD)

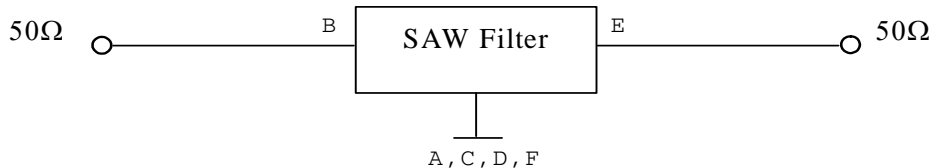
1. Input Power Level: 15dBm
2. DC voltage: 5V
3. Operating Temperature: -30°C to +85°C
4. Storage Temperature: -40°C to +85°C

B. ELECTRICAL CHARACTERISTICS:

Item	Unit	Min.	Typ.	Max.
Center frequency Fc	MHz	-	915.5	-
Insertion Loss (902.5 ~ 928.5MHz) IL	dB	-	2.3	3.0
Amplitude Ripple (902.5 ~ 928.5MHz)	dB	-	0.6	1.5
VSWR (902.5 ~ 928.5MHz)	-	-	1.7	2.3
Group Delay at Fc	ns	-	31	100
Attenuation (Reference level from 0dB)				
10 ~ 849.2MHz	dB	51	56	-
849.2 ~ 865MHz	dB	51	53	-
995 ~ 1710.2MHz	dB	51	54	-
1710.2 ~ 1909.8MHz	dB	41	55	-
1909.8 ~ 2500MHz	dB	30	40	-
Temperature Coefficient of Frequency	Ppm/°C	-	-36	-

C. MEASUREMENT CIRCUIT:

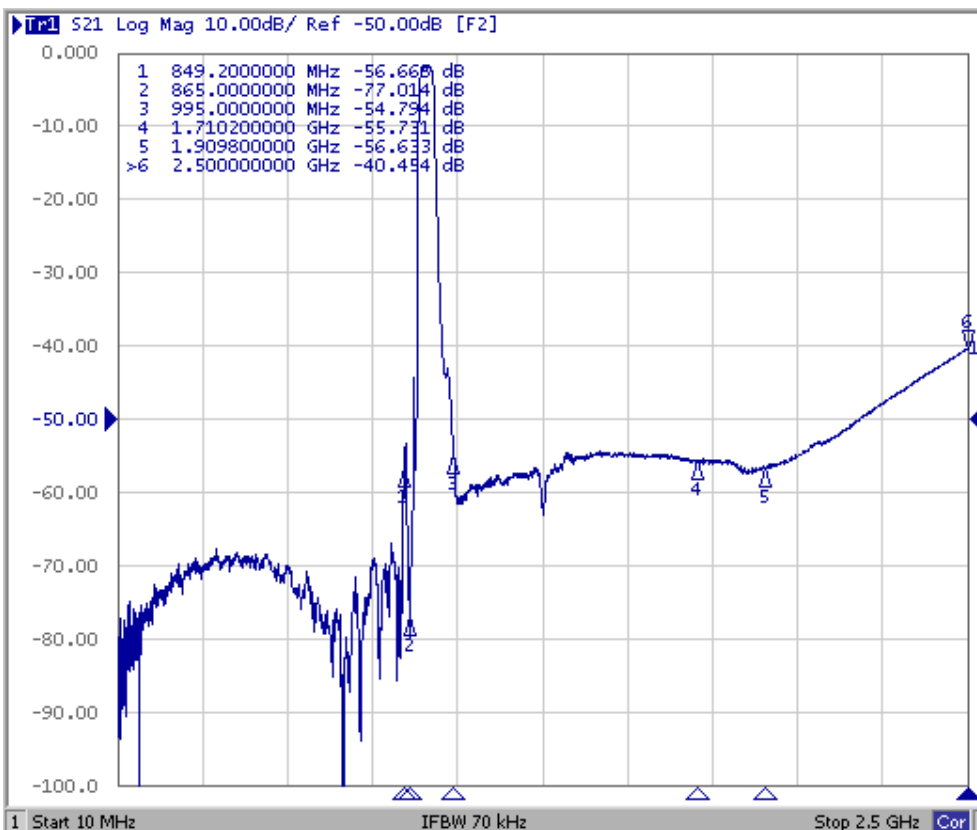
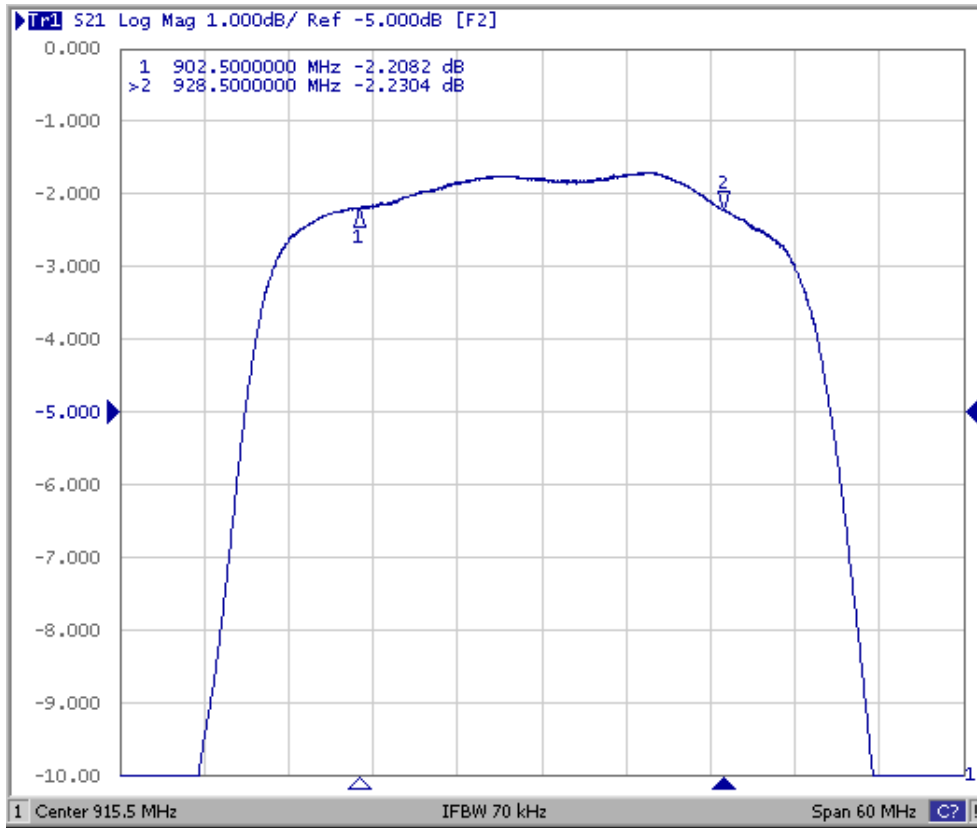
HP Network analyzer



SAW Filter 915.50MHz
Part No: MP05723

Model: TA1456A
Rev No: 1

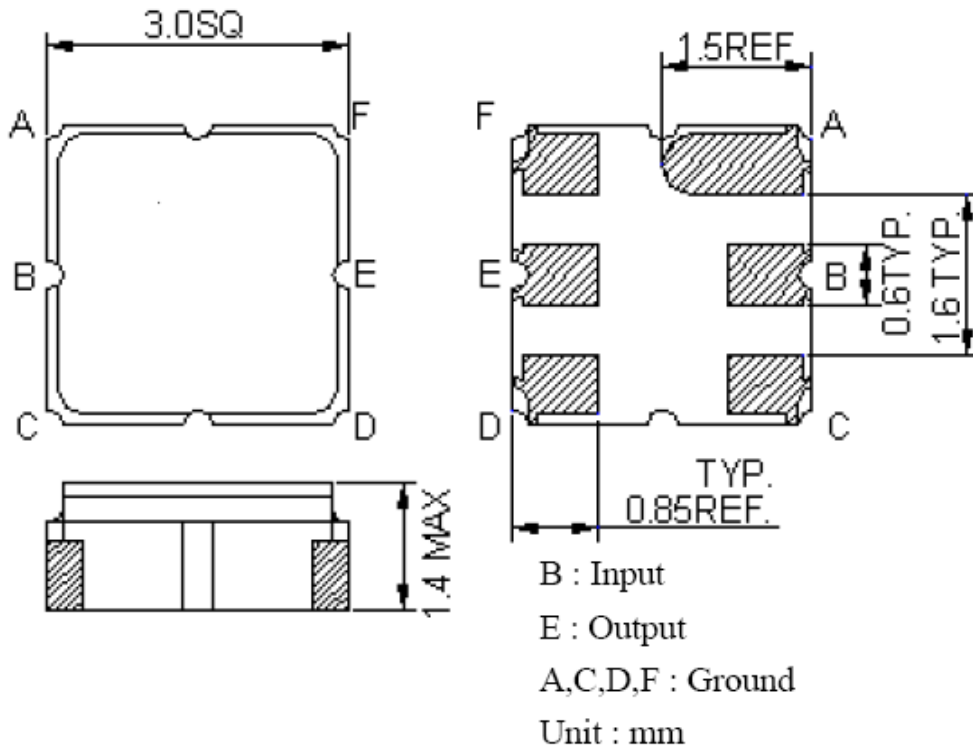
D. FREQUENCY CHARACTERISTICS:



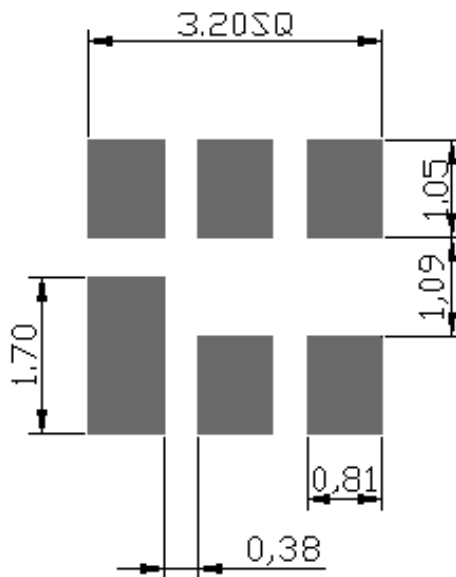
SAW Filter 915.50MHz
Part No: MP05723

Model: TA1456A
Rev No: 1

E. OUTLINE DRAWING:



F. PCB FOOTPRINT:

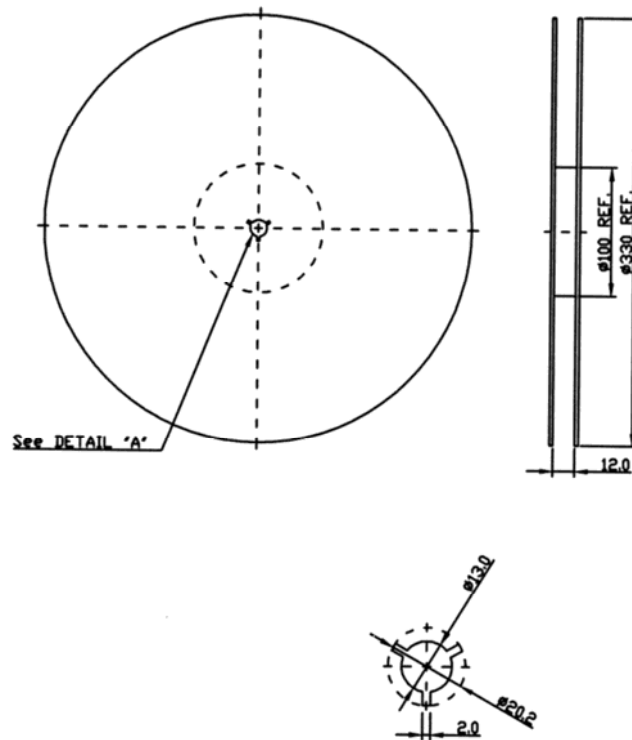


SAW Filter 915.50MHz
Part No: MP05723

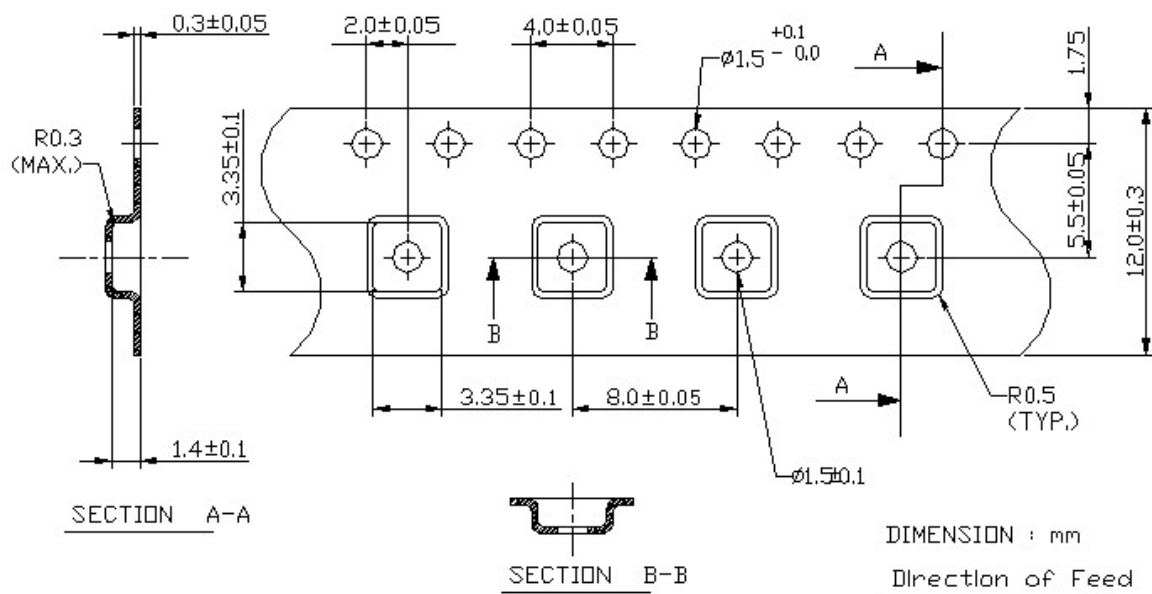
Model: TA1456A
Rev No: 1

G. PACKING:

1. Reel Dimension



2. Tape Dimension



SAW Filter 915.50MHz
Part No: MP05723

Model: TA1456A
Rev No: 1

H. RECOMMENDED REFLOW PROFILE:

