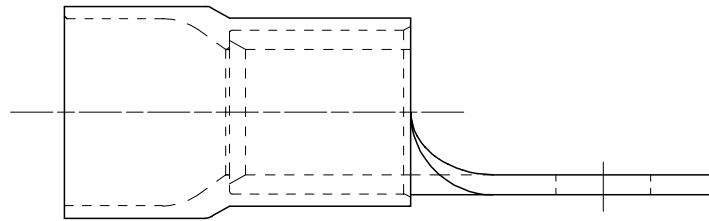
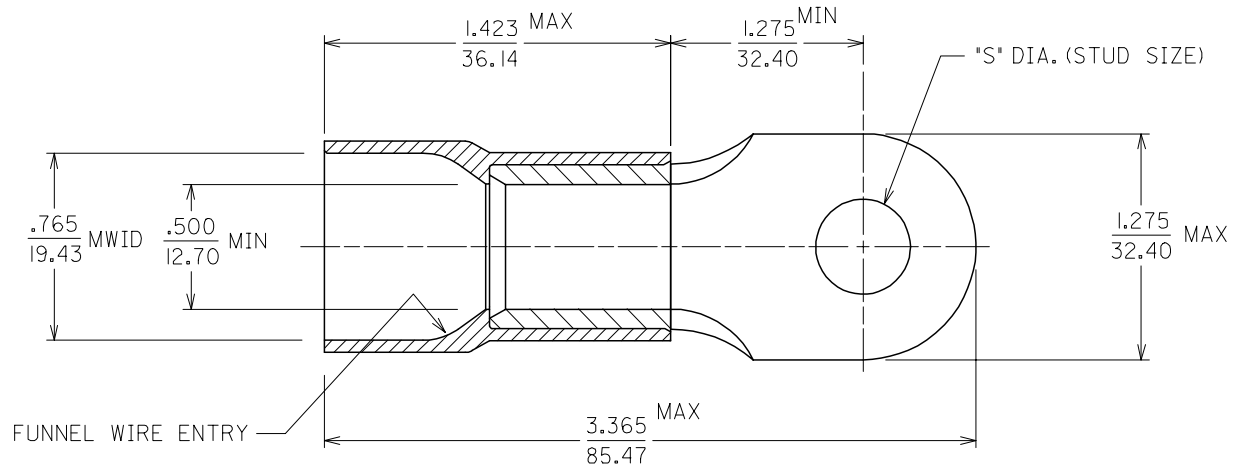


MATERIAL NUMBER	ALTERNATE NUMBER	STUD SIZES	"S"
190670114	J-987-12	1/2	.515
190670115	J-987-34	3/4	.781
190670116	J-987-58	5/8	.656



NOTES:

1. MATERIAL: COPPER .083 THICK
PLATING: ELECTROPLATE TIN
2. INSULATION: YELLOW NYLON 6/6
3. MWID=MAXIMUM WIRE INSULATION DIA.
4. ALL DIMENSIONS IN INCHES/(MM).
5. ASSEMBLY IS ROHS COMPLIANT.

CHG TITLE - ADDED ROHS EC NO: ETC2007-0336 DRW: DRW:HEHLE 2007/03/14 CHKD: JMACNEIL 2007/03/14 APPR: JMACNEIL 2007/03/15 REV B	QUALITY SYMBOLS ▽=0 ▽=0	GENERAL TOLERANCES (UNLESS SPECIFIED) <table border="1"> <thead> <tr> <th></th> <th>mm</th> <th>INCH</th> </tr> </thead> <tbody> <tr> <td>4 PLACES</td> <td>± .005</td> <td>± .0005</td> </tr> <tr> <td>3 PLACES</td> <td>± .013</td> <td>± .001</td> </tr> <tr> <td>2 PLACES</td> <td>± 0.25</td> <td>± .010</td> </tr> <tr> <td>1 PLACE</td> <td>± 0.13</td> <td>± .005</td> </tr> </tbody> </table> ANGULAR ±1/2°		mm	INCH	4 PLACES	± .005	± .0005	3 PLACES	± .013	± .001	2 PLACES	± 0.25	± .010	1 PLACE	± 0.13	± .005	DIMENSION STYLE IN/MM DRAWN BY: EDB DATE: 2001/02/02 CHECKED BY: HEB DATE: 2001/02/02 APPROVED BY: RWD DATE: 2001/02/02	SCALE: --- DESIGN UNITS: INCH THIRD ANGLE PROJECTION	TITLE: NYLAKRIMP FUNNEL ENTRY RING TONGUE TERMINAL, 2/0 AWG MOLEX MOLEX INCORPORATED
		mm	INCH																	
	4 PLACES	± .005	± .0005																	
	3 PLACES	± .013	± .001																	
2 PLACES	± 0.25	± .010																		
1 PLACE	± 0.13	± .005																		
DRAFT WHERE APPLICABLE MUST REMAIN WITHIN DIMENSIONS	MATERIAL NO.: SEE CHART DOCUMENT NO.: SD-19067-010	SHEET NO.: 1 OF 1	THIS DRAWING CONTAINS INFORMATION THAT IS PROPRIETARY TO MOLEX INCORPORATED AND SHOULD NOT BE USED WITHOUT WRITTEN PERMISSION																	