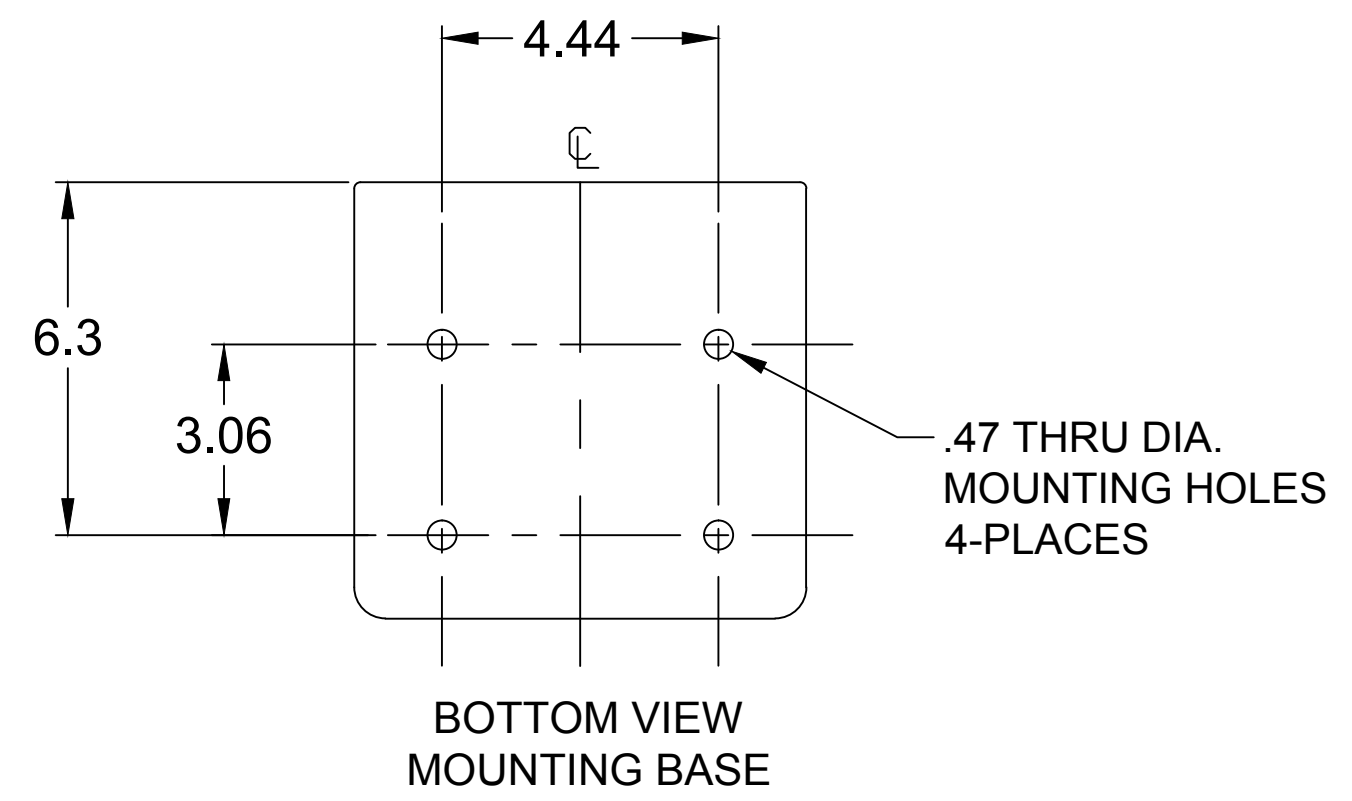
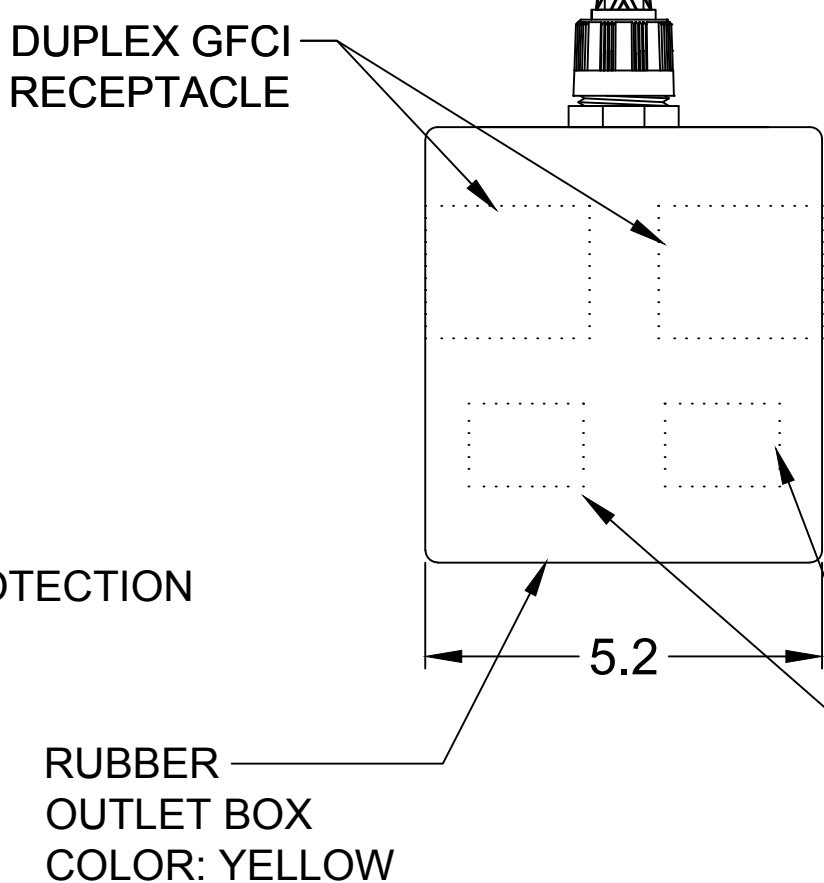
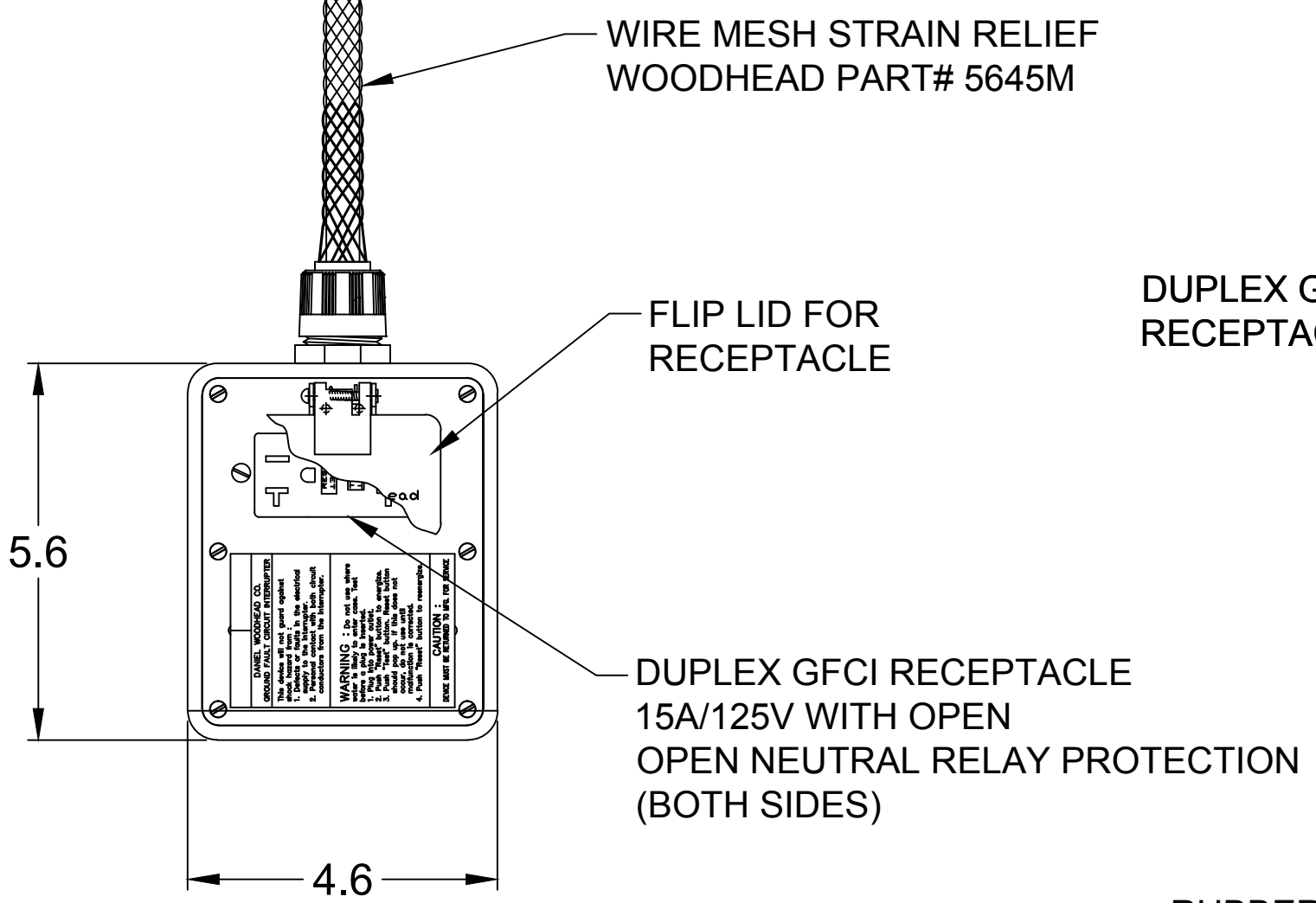
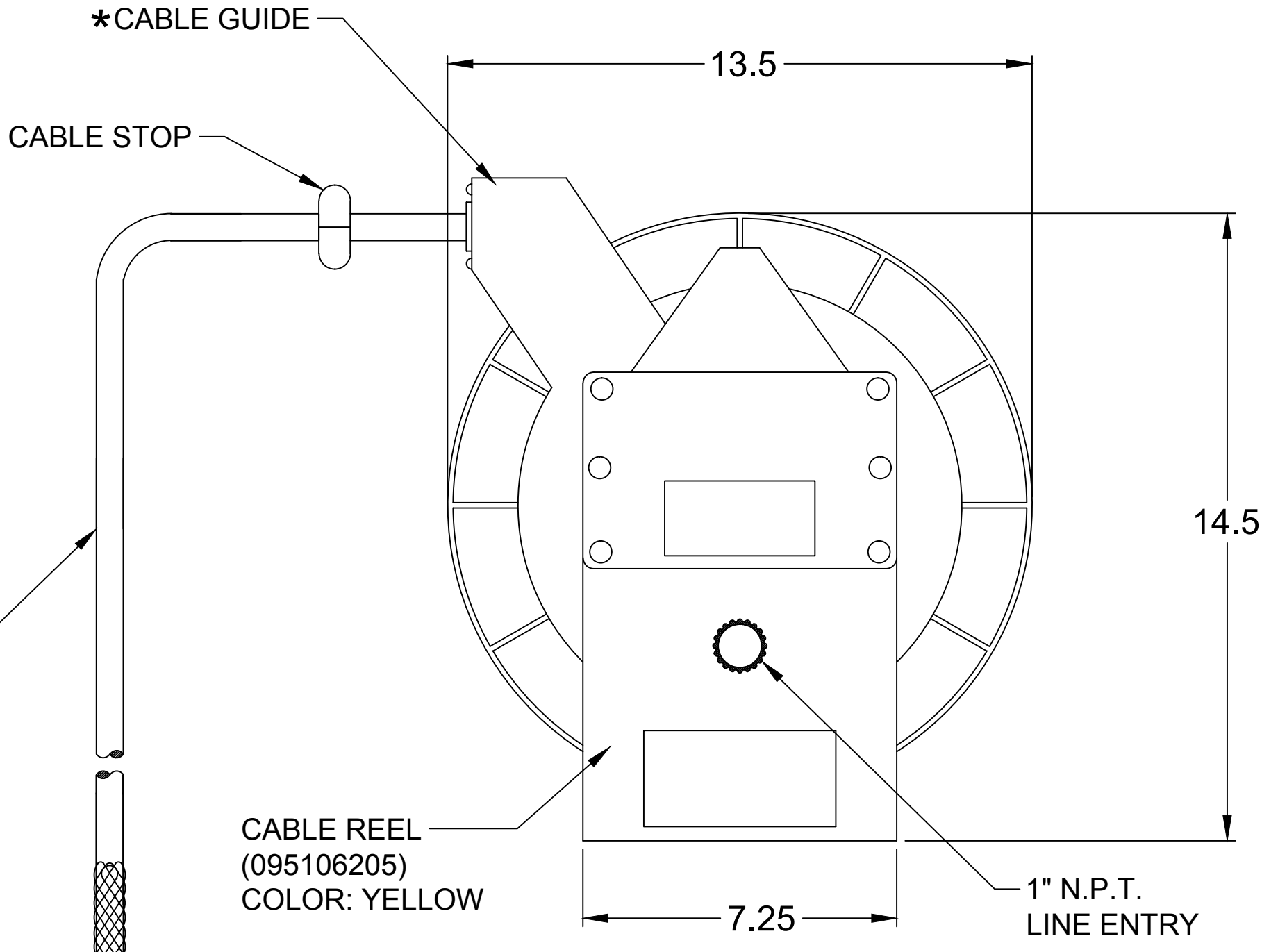


WIRE TERMINATION
IN JUNCTION BOX

NUMBER	WIRE	COLOR
1	HOT-1	BLACK
2	NEUTRAL-1	WHITE
3	HOT-2	RED
4	GROUND	GREEN
5	NEUTRAL-2	ORANGE



- NOTES:
- EACH DUPLEX GFCI WIRED WITH AN INDIVIDUAL HOT, INDIVIDUAL NEUTRAL AND COMMON GROUND.
 - ELECTRICAL RATING: 14A, 125V

* CABLE GUIDE IS ADJUSTABLE EVERY 5 DEGREES OVER 270 DEGREE ARC.

RELEASE SALES DWG EC NO: IPG2015-1853 DRWN: HRUIZ01 2015/04/22 CHKD: HKNEELAN 2015/04/22 APPR: JFMURPHY 2015/10/23	QUALITY SYMBOL	GENERAL TOLERANCES (UNLESS SPECIFIED)	DIMENSION STYLE	SCALE	DESIGN UNITS	THIRD ANGLE PROJECTION
	▽=0 ∇=0	mm INCH	INCH	NTS	INCH	
		4 PLACES ±--- ±---	DRAWN BY DATE	TITLE		
		3 PLACES ±--- ±.005	CHECKED BY DATE	095106205 CABLE REEL		
	2 PLACES ±--- ±.010	APPROVED BY DATE	25' OF #12-5 SOOW CABLE			
	1 PLACE ±--- ±.020		(2) 15A/125V DUPLEX GFCI			
		ANGULAR ±1/2°	MOLEX INCORPORATED			
		DRAFT WHERE APPLICABLE MUST REMAIN WITHIN DIMENSIONS	MATERIAL NO.	DOCUMENT NO.	SHEET NO.	
			1300830925	SD-130083-052	1 OF 1	
			THIS DRAWING CONTAINS INFORMATION THAT IS PROPRIETARY TO MOLEX INCORPORATED AND SHOULD NOT BE USED WITHOUT WRITTEN PERMISSION			