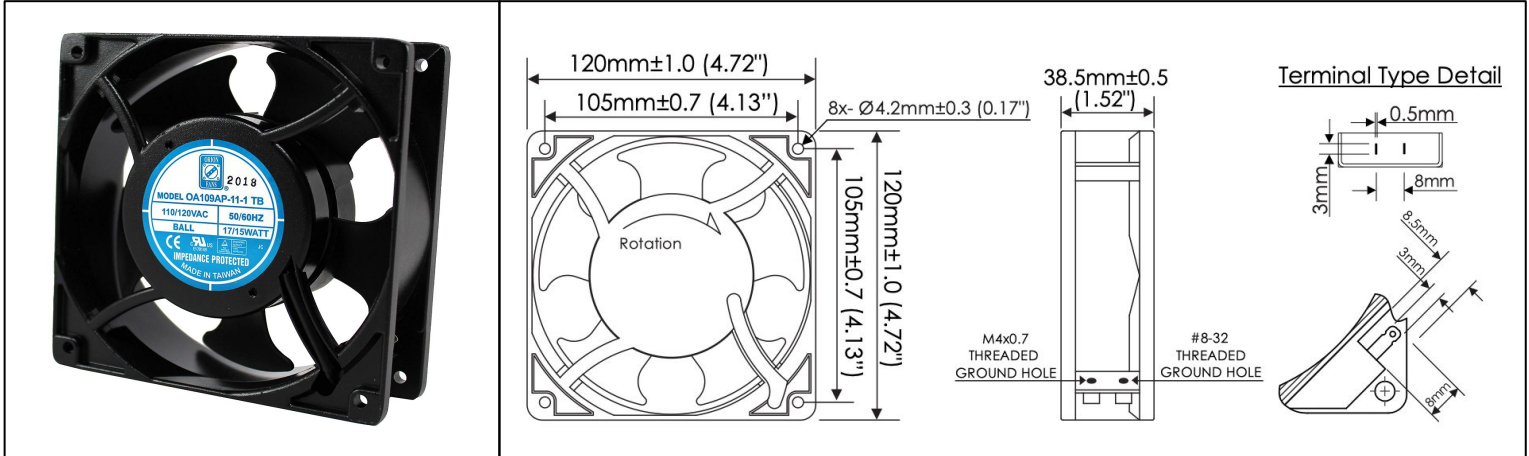


OA109AP Series



AC Fans - 115, 230V
120mm x 38mm (4.75" x 1.5")



Frame	Die Cast Aluminum, Black Finish	Operating Temperature -20°C ~ +75°C (Ball Bearing) -10°C ~ +45°C (Sleeve Bearing) Storage Temperature -40°C ~ +100°C Life Expectancy Ball Bearing: 70,000 Hours (L10 at 40°C) Sleeve Bearing: 30,000 Hours (L10 at 40°C) Available Options IP / Salt Fog Ratings Weight: 1.2 lbs.	
Impeller	PBT, UL94 V-0 Plastic		
Power Connection	2x Lead Wires, 22 AWG 300mm, or Terminals		
Motor	AC Shaded Pole, Impedance Protected		
Bearing System	Dual Ball, or Sleeve		
Dielectric Strength	1500VAC/min, <1mA		
Insulation Resistance	≥10MΩ @ 500V DC		

Part Number	Rated Voltage (Volts AC)	Voltage Range (Volts AC)	Frequency (Hertz)	Rated Power (Watts)	Rated Speed (RPM)	Max Airflow (CFM)	Noise Level (dBA)	Max Static Pressure ("H ₂ O)
OA109AP-11-1*	115	100 ~ 125	50 / 60	15	3000	104	42	0.29
OA109AP-11-2*	115	100 ~ 125	50 / 60	11	2300	70	35	0.18
OA109AP-11-3*	115	100 ~ 125	50 / 60	8	1600	52	25	0.13
OA109AP-22-1*	230	200 ~ 250	50 / 60	15	3000	104	42	0.29
OA109AP-22-2*	230	200 ~ 250	50 / 60	11	2300	70	35	0.18
OA109AP-22-3*	230	200 ~ 250	50 / 60	8	1600	52	25	0.13

* Indicate "TB" (Terminal Ball Bearing), "WB" (Wire Leads, Ball Bearing), "TS" (Terminal, Sleeve Bearing), "WS" (Wire Leads, Sleeve Bearing).
* Table and PQ graph shows 60Hz values.