

## Grommet KADL

F311-9xxx-zz

Grommet

TPE TPV

### Properties

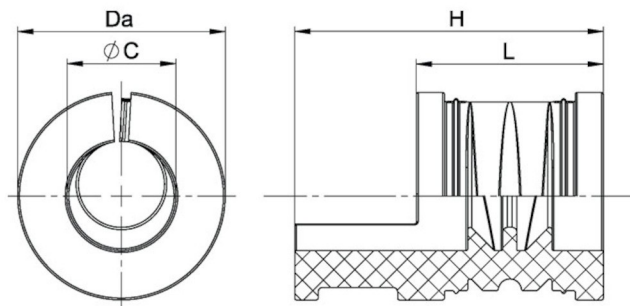
- Accessories for Cable Entry System KADL (series F310-9xxx-zz)
- due to the split grommets, pre-assembled cables with connectors can be inserted into housings and sealed
- for cables with  $\text{ØC} = 3,0 - 32,5$  mm
- clamping range per grommet up to 2mm
- strain relief for cables
- tool-free installation
- easy enlargements and adjustments

Temperature range -30 °C

+100 °C

Comment

The grommets shall be ordered separately as accessories for Cable Entry System KADL.




### Features

#### Grommet small

Description	ØC	L	H	Da	VPE	Part No.
TK 3-5	3 - 5	20	33	22,2	10	F311-9001-01
TK 5-7	5 - 7	20	33	22,2	10	F311-9001-02
TK 7-9	7 - 9	20	33	22,2	10	F311-9001-03
TK 9-11	9 - 11	20	33	22,2	10	F311-9001-04
TK 11-13	11 - 13	20	33	22,2	10	F311-9001-05
TK 13-15	13 - 15	20	33	22,2	10	F311-9001-06
TK 15-16	15 - 16	20	33	22,2	10	F311-9001-07
TK G*	-	20	20	22,2	10	F311-9001-99

#### Grommet large

Description	ØC	L	H	Da	 VPE	Part No.
TG 15-17	15 - 17	20	33	38,7	10	F311-9002-01
TG 17-19	17 - 19	20	33	38,7	10	F311-9002-02
TG 19-21	19 - 21	20	33	38,7	10	F311-9002-03
TG 21-23	21 - 23	20	33	38,7	10	F311-9002-04
TG 23-25	23 - 25	20	33	38,7	10	F311-9002-05
TG 25-27	25 - 27	20	33	38,7	10	F311-9002-06
TG 27-29	27 - 29	20	33	38,7	10	F311-9002-07
TG 29-31	29 - 31	20	33	38,7	10	F311-9002-08
TG 31-32,5	31 - 32,5	20	33	38,7	10	F311-9002-09
TG G*	-	20	20	38,7	10	F311-9002-99

\*closed (without slot and bore)