

### Features

- Floating channel designed for bootstrap operation
- Fully operational to +600 V
- Tolerant to negative transient voltage, dV/dt immune
- Gate drive supply range from 10 V to 20 V
- Undervoltage lockout for both channels
- 3.3 V and 5 V input logic compatible
- Matched propagation delay for both channels
- Logic and power ground +/- 5 V offset
- Lower di/dt gate driver for better noise immunity
- Output source/sink current capability (typical) 1.9 A /2.3 A
- Leadfree, RoHS compliant
- Automotive qualified\*

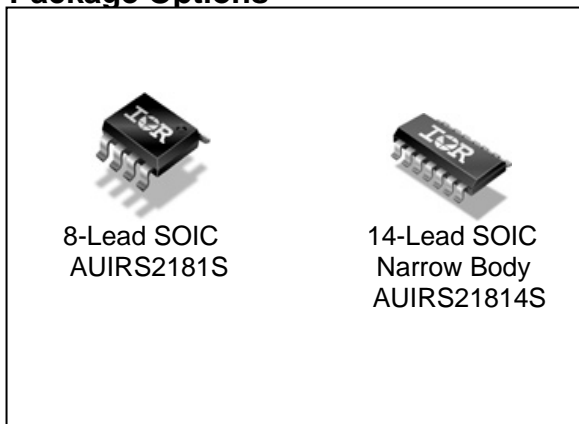
### Typical Applications

- Piezo/ common rail Injection
- Starter/Alternator
- Electric Power Steering
- Fan and compressor

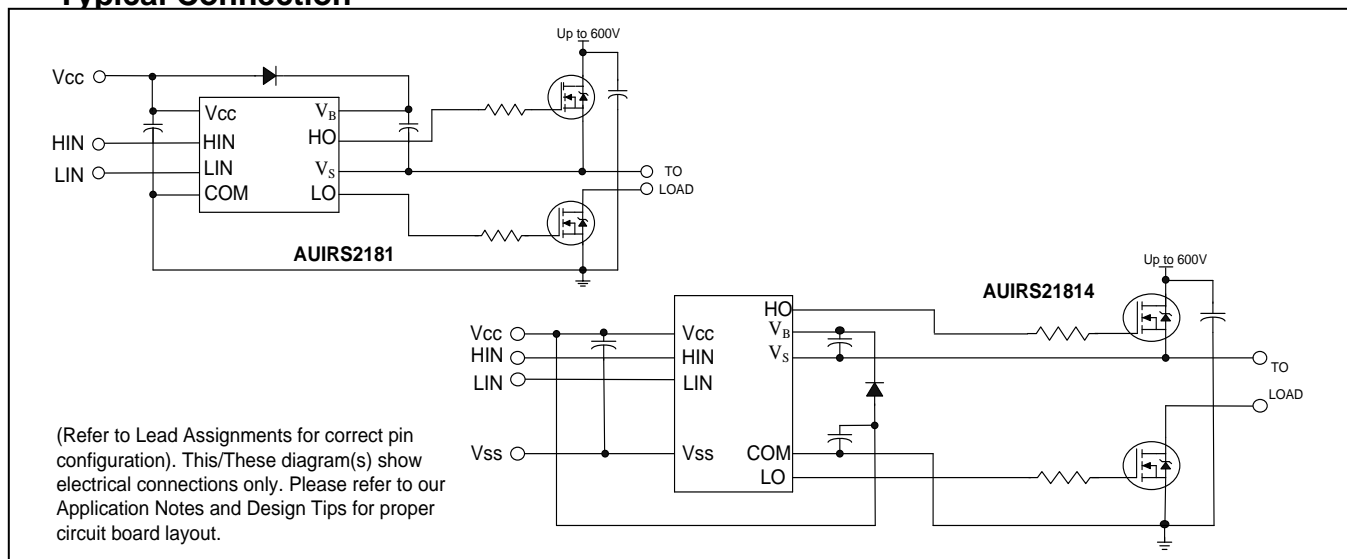
### Product Summary

Topology	High and Low Side Driver
V <sub>OFFSET</sub>	≤ 600 V
V <sub>OUT</sub>	10 V – 20 V
I <sub>o+</sub> & I <sub>o-</sub> (typical)	1.9 A & 2.3 A
t <sub>ON</sub> & t <sub>OFF</sub> (typical)	160 ns & 200 ns

### Package Options



### Typical Connection



**Ordering Information**

Base Part Number	Package Type	Standard Pack		Complete Part Number
		Form	Quantity	
AUIRS2181S	SOIC8	Tube/Bulk	95	AUIRS2181S
		Tape and Reel	2500	AUIRS2181STR
AUIRS21814S	SOIC14N	Tube/Bulk	55	AUIRS21814S
		Tape and Reel	2500	AUIRS21814STR

## Description

The AUIRS2181(4)S are high voltage, high speed power MOSFET and IGBT drivers with independent high and low-side referenced output channels. Proprietary HVIC and latch immune CMOS technologies enable ruggedized monolithic construction. The logic input is compatible with standard CMOS or LSTTL output, down to 3.3 V logic. The output drivers feature a high pulse current buffer stage designed for minimum driver cross-conduction. The floating channel can be used to drive an N-channel power MOSFET or IGBT in the high-side configuration which operates up to 600 V.

## Feature Comparison: AUIRS2181/AUIRS2183/AUIRS2184

Part	Input Logic	Cross-Conduction Prevention logic	Dead-Time	Ground Pins	Ton/Toff
2181	HIN/LIN	no	none	COM	160/200 ns
21814				V <sub>SS</sub> /COM	
2183	HIN/LIN	yes	Internal 500ns	COM	160/200 ns
21834			Programmable 0.4 – 5 us	V <sub>SS</sub> /COM	
2184	IN/SD	yes	Internal 500ns	COM	600/230 ns
21844			Programmable 0.4 – 5 us	V <sub>SS</sub> /COM	

## Absolute Maximum Ratings

Absolute Maximum Ratings indicate sustained limits beyond which damage to the device may occur. All voltage parameters are absolute voltages referenced to COM lead. Stresses beyond those listed under "Absolute Maximum Ratings" may cause permanent damage to the device. These are stress ratings only; and functional operation of the device at these or any other condition beyond those indicated in the "Recommended Operating Conditions" is not implied. Exposure to absolute-maximum-rated conditions for extended periods may affect device reliability. The thermal resistance and power dissipation ratings are measured under board mounted and still air conditions. Ambient temperature ( $T_A$ ) is 25°C, unless otherwise specified.

Symbol	Definition	Min	Max	Units	
$V_B$	High-side floating absolute voltage	-0.3	625	V	
$V_S$	High-side floating supply offset voltage	$V_B - 25$	$V_B + 0.3$		
$V_{HO}$	High-side floating output voltage	$V_S - 0.3$	$V_B + 0.3$		
$V_{CC}$	Low-side and logic fixed supply voltage	-0.3	20 <sup>(†)</sup>		
$V_{LO}$	Low-side output voltage	-0.3	$V_{CC} + 0.3$		
$V_{IN}$	Logic input voltage (HIN & LIN)	$V_{SS} - 0.3$	$V_{CC} + 0.3$		
$V_{SS}$	Logic ground (AUIRS21814(S) only)	$V_{CC} - 20$	$V_{CC} + 0.3$		
$dV_S/dt$	Allowable offset supply voltage transient	—	50	V/ns	
$P_D$	Package power dissipation @ $T_A \leq 25^\circ\text{C}$	(8 lead SOIC)	—	0.625	W
		(14 lead SOIC)	—	1.0	
$R_{thJA}$	Thermal resistance, junction to ambient	(8 lead SOIC)	—	200	°C/W
		(14 lead SOIC)	—	120	
$T_J$	Junction temperature	—	150	°C	
$T_S$	Storage temperature	-50	150		
$T_L$	Lead temperature (soldering, 10 seconds)	—	300		

† All supplies are fully tested at 25 V and an internal 20 V clamp exists for each supply.

## Recommended Operating Conditions

The input/output logic timing diagram is shown in figure 1. For proper operation the device should be used within the recommended conditions. The  $V_S$  and  $V_{SS}$  offset rating are tested with all supplies biased at 15 V differential.

Symbol	Definition	Min	Max	Units
$V_B$	High-side floating supply absolute voltage	$V_S + 10$	$V_S + 20$	V
$V_S$	High-side floating supply offset voltage	<sup>(††)</sup>	600	
$V_{HO}$	High-side floating output voltage	$V_S$	$V_B$	
$V_{CC}$	Low-side and logic fixed supply voltage	10	20	
$V_{LO}$	Low-side output voltage	0	$V_{CC}$	
$V_{IN}$	Logic input voltage	$V_{SS}$	$V_{CC}$	
DT	Programmable deadtime pin voltage	$V_{SS}$	$V_{CC}$	
$V_{SS}$	Logic ground	-5	5	
$T_A$	Ambient temperature	-40	125	°C

†† Logic operational for  $V_S$  of -5 V to +600 V. Logic state held for  $V_S$  of -5 V to  $-V_{BS}$ . (Please refer to the Design Tip DT97-3 for more details).

### Dynamic Electrical Characteristics

Unless otherwise noted, these specifications apply for an operating junction temperature range of  $-40^{\circ}\text{C} \leq T_j \leq 125^{\circ}\text{C}$  with bias conditions of  $V_{\text{BIAS}}$  ( $V_{\text{CC}}, V_{\text{BS}}$ ) = 15 V,  $V_{\text{SS}} = \text{COM}$ ,  $C_L = 1000 \text{ pF}$ .

Symbol	Definition	Min	Typ	Max	Units	Test Conditions
$t_{\text{on}}$	Turn-on propagation delay	—	160	270	ns	$V_S = 0 \text{ V}$
$t_{\text{off}}$	Turn-off propagation delay	—	200	330		$V_S = 0 \text{ V}$ or $600 \text{ V}$
MT	Delay matching, HS & LS turn-on/off	—	—	35		
$t_r$	Turn-on rise time	—	15	60		$V_S = 0 \text{ V}$
$t_f$	Turn-off fall time	—	15	35		

### Static Electrical Characteristics

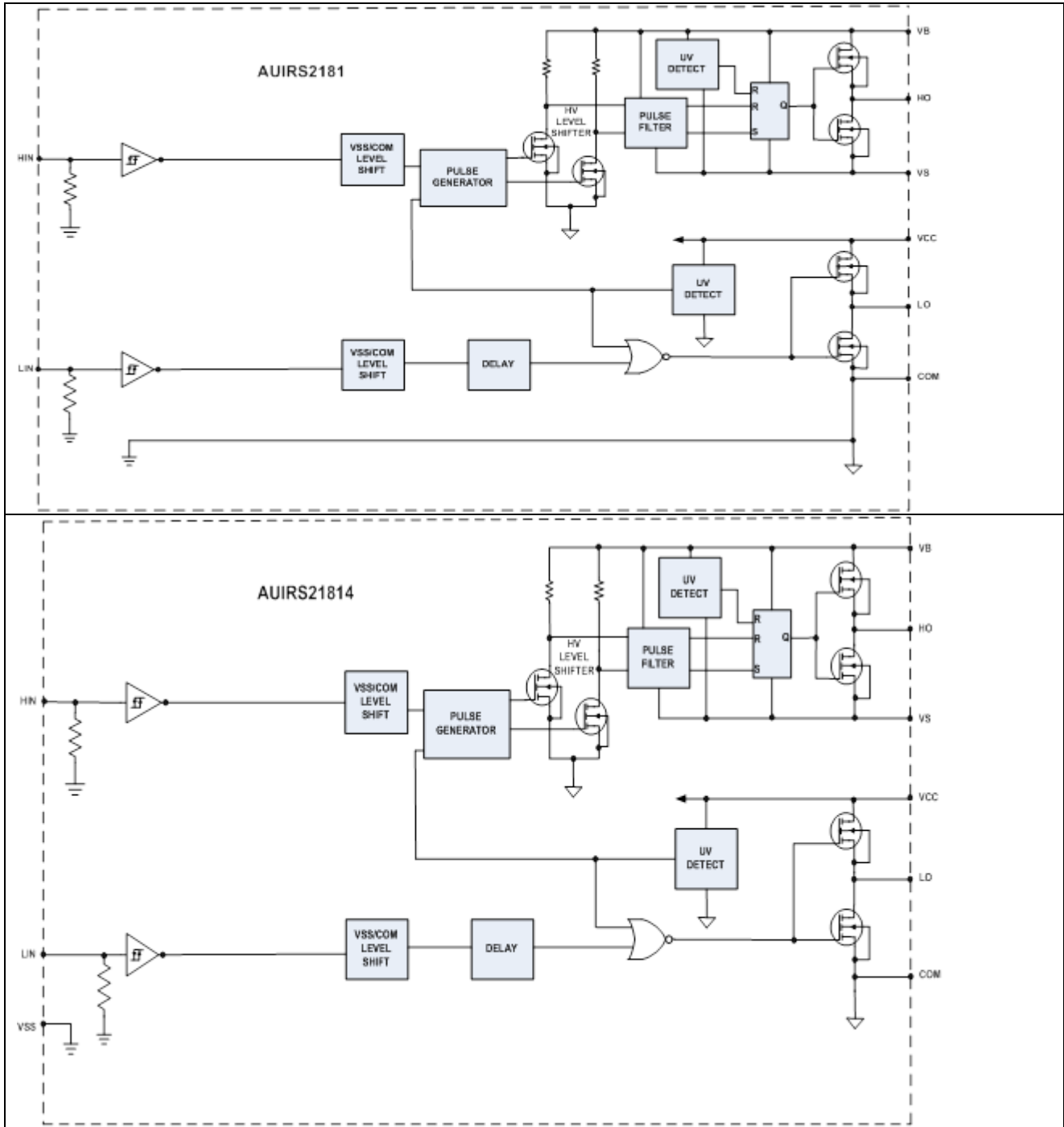
Unless otherwise noted, these specifications apply for an operating junction temperature range of  $-40^{\circ}\text{C} \leq T_j \leq 125^{\circ}\text{C}$  with bias conditions of  $V_{\text{BIAS}}$  ( $V_{\text{CC}}, V_{\text{BS}}$ ) = 15 V,  $V_{\text{SS}} = \text{COM}$ . The  $V_{\text{IL}}$ ,  $V_{\text{IH}}$  and  $I_{\text{IN}}$  parameters are referenced to  $V_{\text{SS}}/\text{COM}$  and are applicable to the respective input leads: HIN and LIN. The  $V_{\text{O}}$ ,  $I_{\text{O}}$  and  $R_{\text{on}}$  parameters are referenced to COM and are applicable to the respective output leads: HO and LO.

Symbol	Definition	Min	Typ	Max	Units	Test Conditions
$V_{\text{IH}}$	Logic "1" input voltage	2.5	—	—	V	$V_{\text{CC}} = 10 \text{ V}$ to $20 \text{ V}$
$V_{\text{IL}}$	Logic "0" input voltage	—	—	0.8		$V_{\text{CC}} = 10 \text{ V}$ to $20 \text{ V}$
$V_{\text{OH}}$	High level output voltage, $V_{\text{BIAS}} - V_{\text{O}}$	—	—	1.4		$I_{\text{O}} = 0 \text{ mA}$
$V_{\text{OL}}$	Low level output voltage, $V_{\text{O}}$	—	—	0.2		$I_{\text{O}} = 20 \text{ mA}$
$I_{\text{LK}}$	Offset supply leakage current	—	—	50	$\mu\text{A}$	$V_{\text{B}} = V_{\text{S}} = 600 \text{ V}$
$I_{\text{QBS}}$	Quiescent $V_{\text{BS}}$ supply current	15	60	150		$V_{\text{IN}} = 0 \text{ V}$ or $5 \text{ V}$
$I_{\text{QCC}}$	Quiescent $V_{\text{CC}}$ supply current	15	120	240		$V_{\text{IN}} = 5 \text{ V}$
$I_{\text{IN}+}$	Logic "1" input bias current	—	25	60		$V_{\text{IN}} = 0 \text{ V}$
$I_{\text{IN}-}$	Logic "0" input bias current	—	—	5.0		
$V_{\text{CCUV}+}$ $V_{\text{BSUV}+}$	$V_{\text{CC}}$ and $V_{\text{BS}}$ supply undervoltage positive going threshold	8.0	8.9	9.8	V	
$V_{\text{CCUV}-}$ $V_{\text{BSUV}-}$	$V_{\text{CC}}$ and $V_{\text{BS}}$ supply undervoltage negative going threshold	7.4	8.2	9.0		
$V_{\text{CCUVH}}$ $V_{\text{BSUVH}}$	$V_{\text{CC}}$ and $V_{\text{BS}}$ supply undervoltage Hysteresis	0.3	0.7	—		
$I_{\text{O}25+}^{(\dagger)}$	Output high short circuit pulsed current	1.4	1.9	—	A	$V_{\text{O}} = 0 \text{ V}$ , $\text{PW} \leq 10 \mu\text{s}$ , $T_j = 25^{\circ}\text{C}$
$I_{\text{O}25-}^{(\dagger)}$	Output low short circuit pulsed current	1.8	2.3	—		$V_{\text{O}} = 15 \text{ V}$ , $\text{PW} \leq 10 \mu\text{s}$ , $T_j = 25^{\circ}\text{C}$
$I_{\text{O}+}^{(\dagger)(\ddagger)}$	Output high short circuit pulsed current	1.2	—	—		$V_{\text{O}} = 0 \text{ V}$ , $\text{PW} \leq 10 \mu\text{s}$
$I_{\text{O}-}^{(\dagger)(\ddagger)}$	Output low short circuit pulsed current	1.5	—	—		$V_{\text{O}} = 15 \text{ V}$ , $\text{PW} \leq 10 \mu\text{s}$

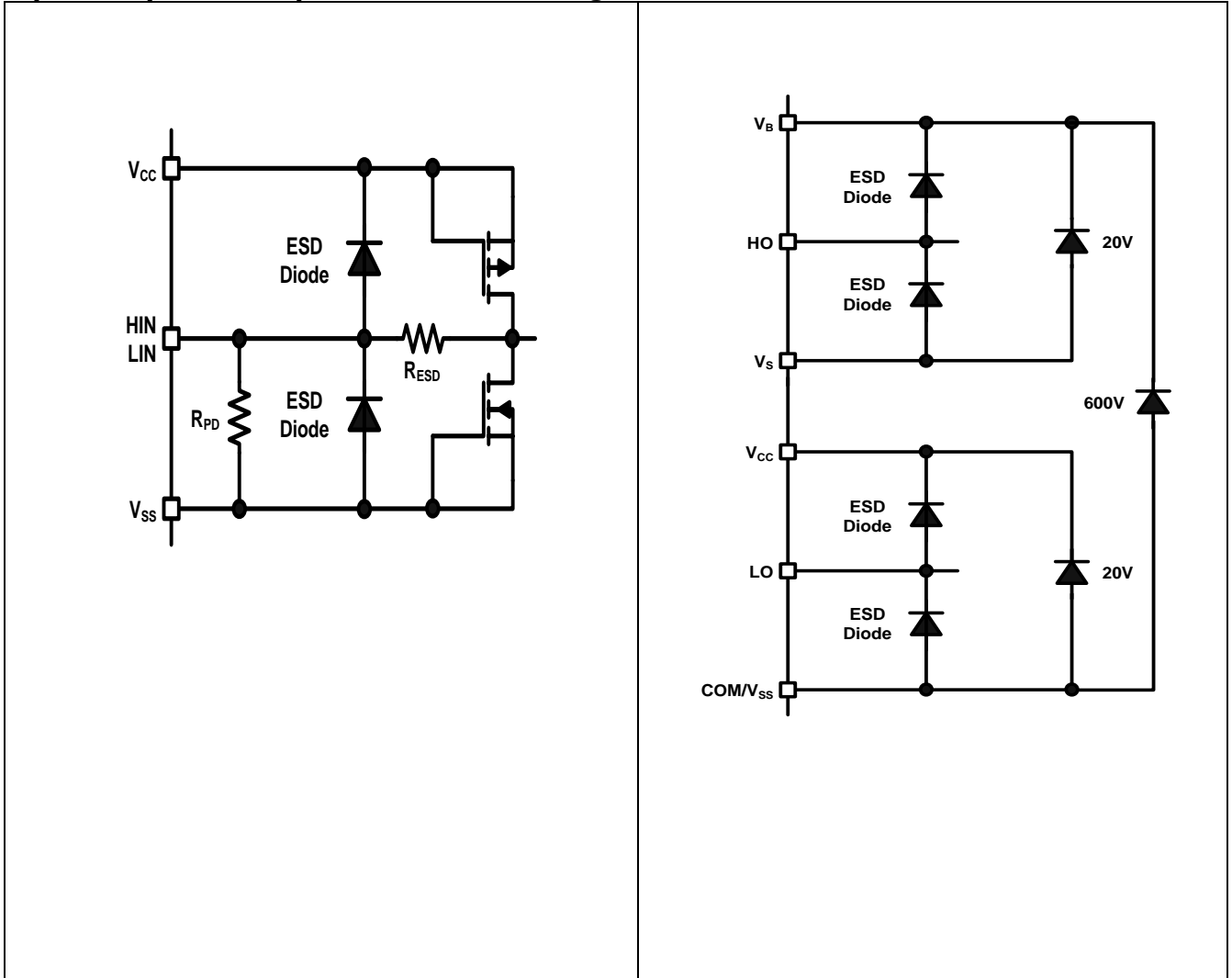
(†) Guaranteed by design

(‡)  $I_{\text{O}+}$  and  $I_{\text{O}-}$  decrease with rising temperature

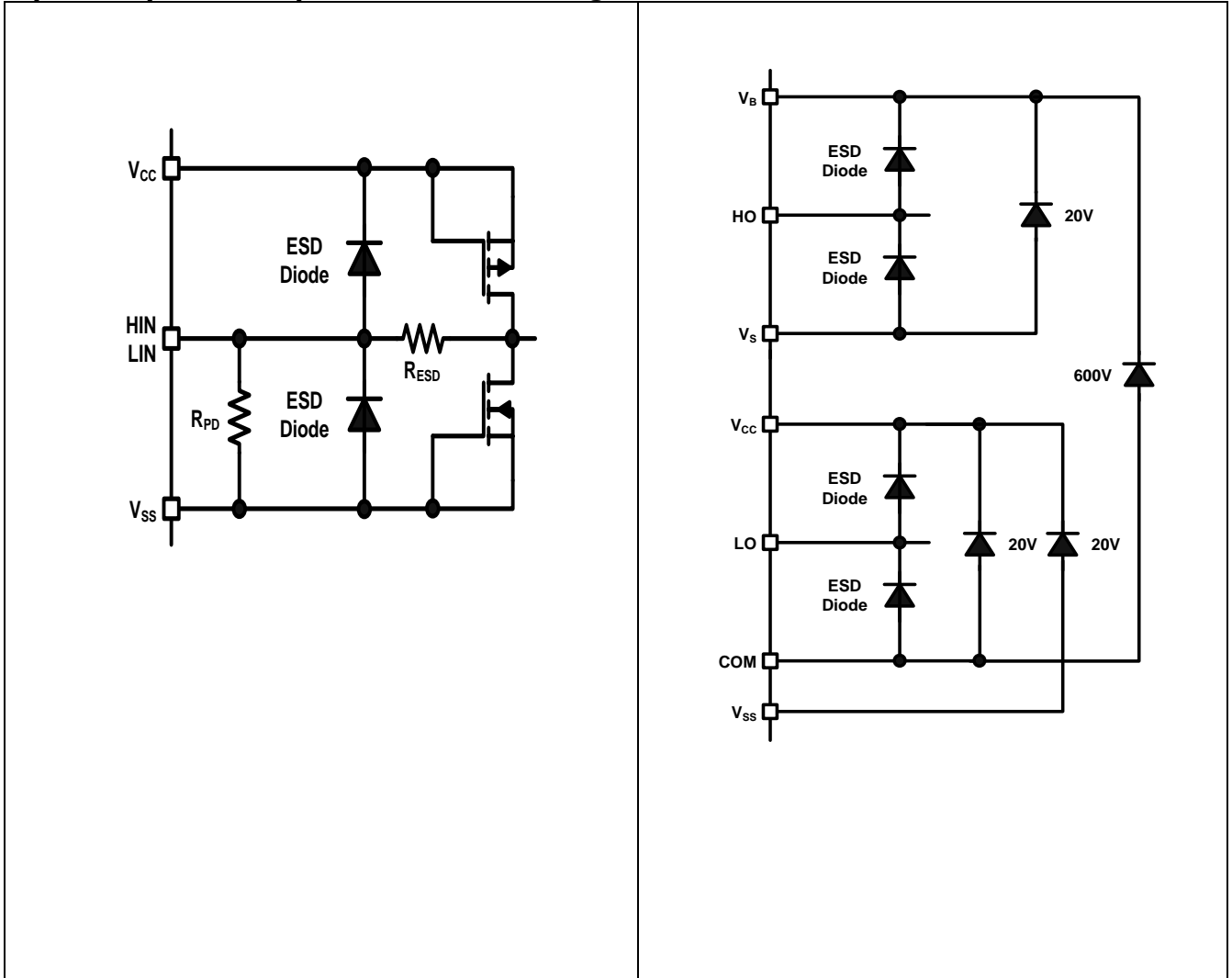
## Functional Block Diagrams: AUIRS2181, AUIRS21814



**Input/Output Pin Equivalent Circuit Diagrams: AUIRS2181S**



**Input/Output Pin Equivalent Circuit Diagrams: AUIRS21814S**

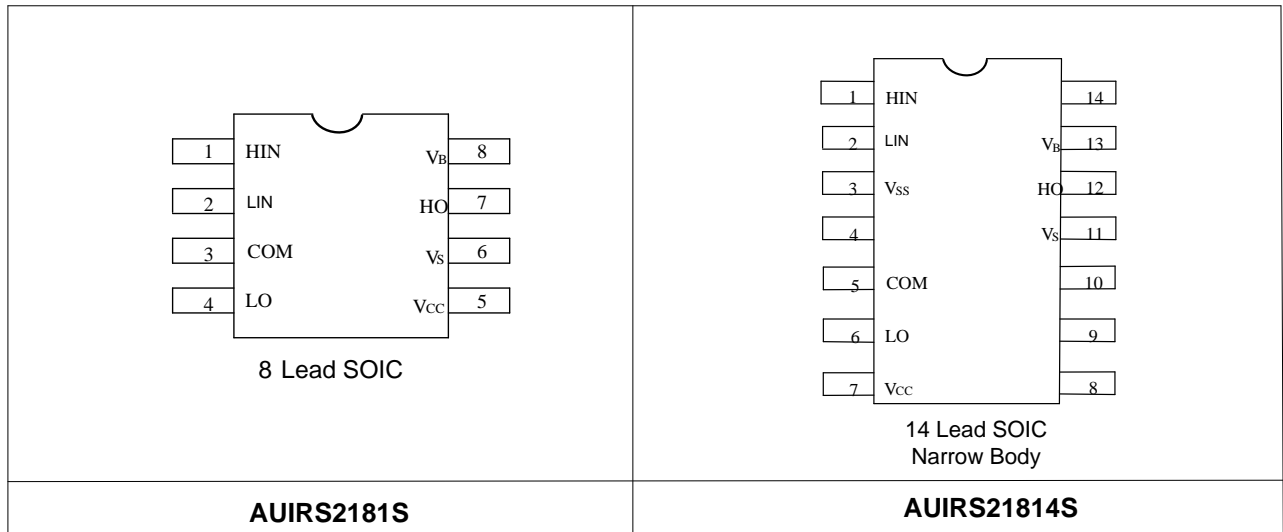




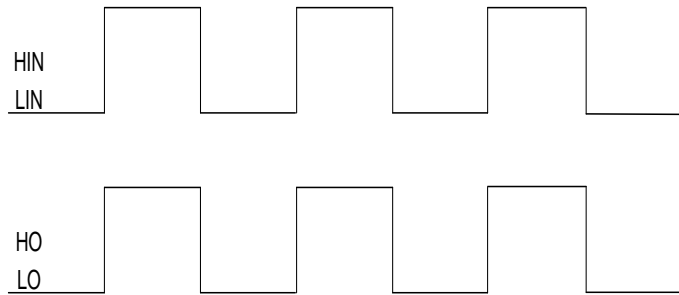
## Lead Definitions: AUIRS2181(4)S

Symbol	Description
HIN	Logic input for high-side gate driver output (HO), in phase
LIN	Logic input for low-side driver output (LO), in phase
V <sub>SS</sub>	Logic ground (AUIRS21814 only)
V <sub>B</sub>	High-side floating supply
HO	High-side gate drive output
V <sub>S</sub>	High-side floating supply return
V <sub>CC</sub>	Low-side and logic fixed supply
LO	Low-side gate drive output
COM	Low-side return

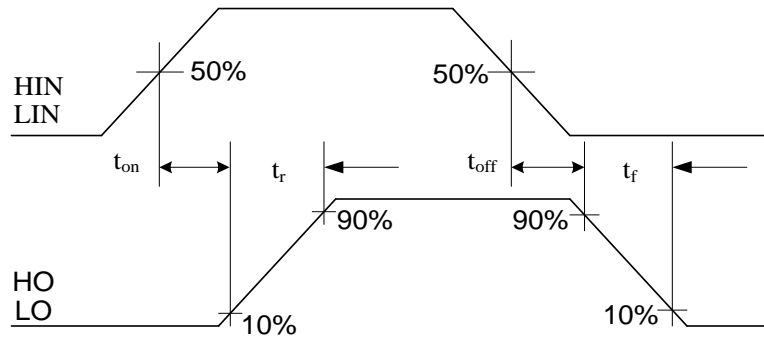
## Lead Assignments: AUIRS2181(4)S



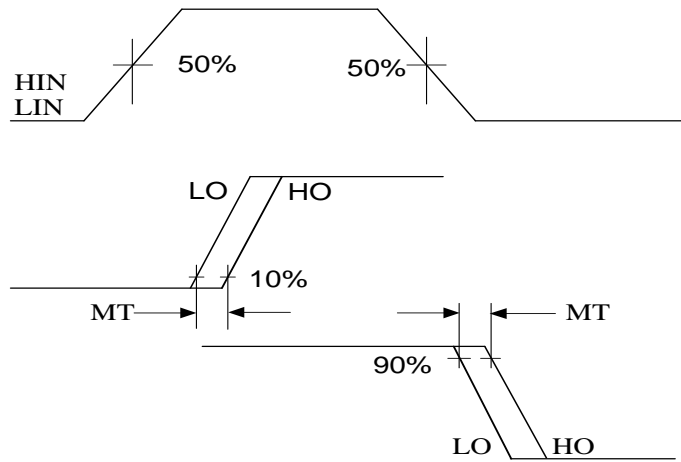
**Application Information and Additional Details**



**Figure 1. Input/Output Timing Diagram**



**Figure 2. Switching Time Waveform Definitions**



**Figure 3. Delay Matching Waveform Definitions**

## Parameter Trends vs. Temperature and vs. Supply Voltage

Figures of this chapter provide information on the experimental performance of the AUIRS2181(4)S HVIC. The line plotted in each figure is generated from actual lab data.

A large number of individual samples were tested at three temperatures (-40 °C, 25 °C, and 125 °C) in order to generate the experimental curve. The line consists of three data points (one data point at each of the tested temperatures) that have been connected together to illustrate the understood trend. The individual data points on the Typ. curve were determined by calculating the averaged experimental value of the parameter (for a given temperature).

A different set of individual samples was used to generate curves of parameter trends vs. supply voltage.

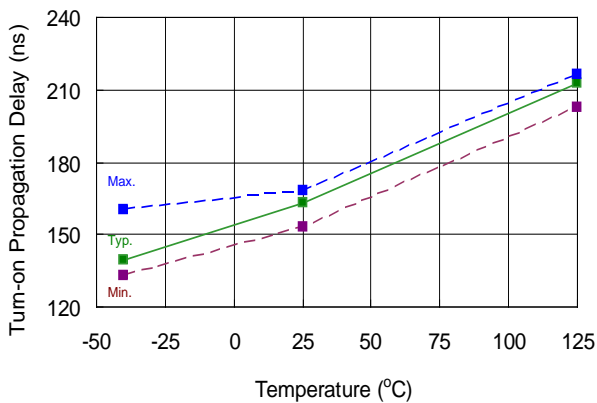


Figure 1A. Turn-On Propagation Delay vs. Temperature

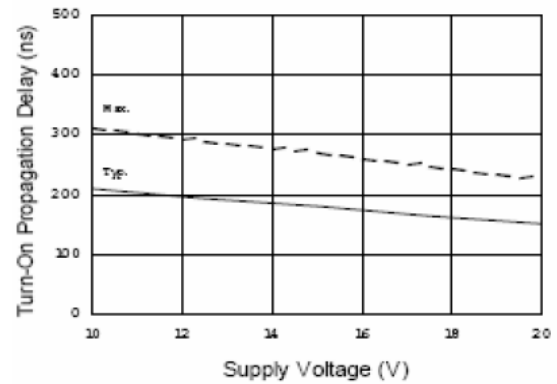


Figure 1B. Turn-On Propagation Delay vs. Supply Voltage

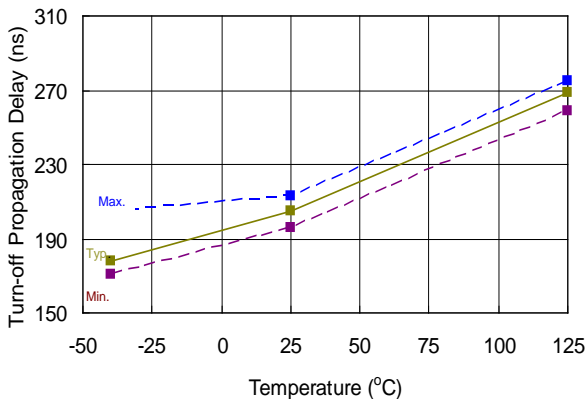


Figure 2A. Turn-Off Propagation Delay vs. Temperature

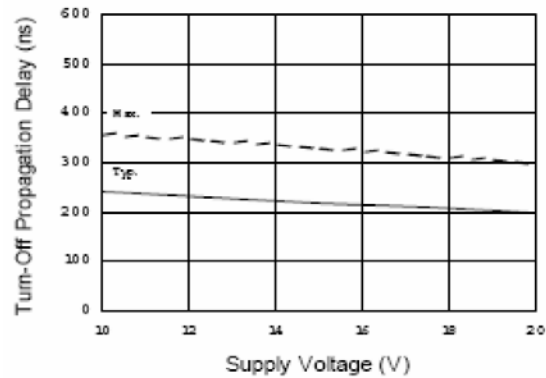
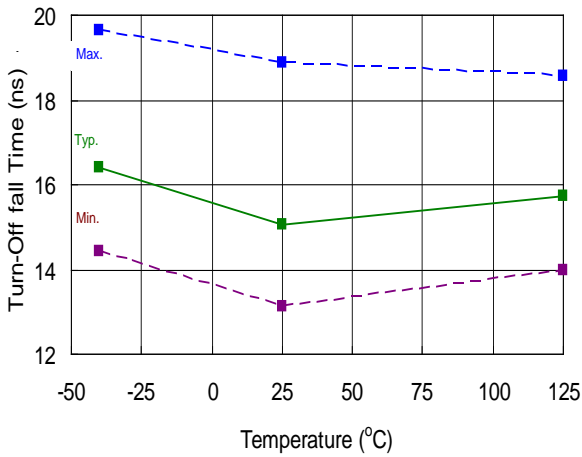
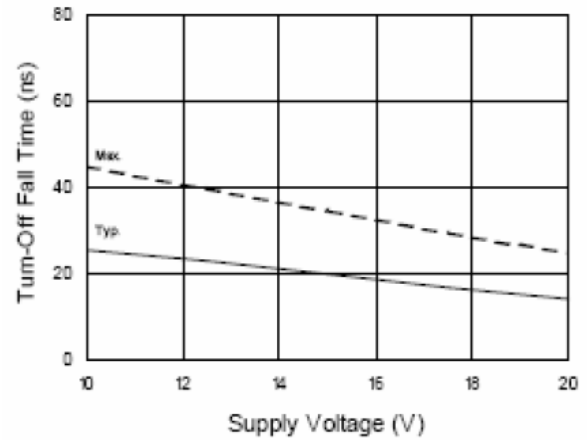


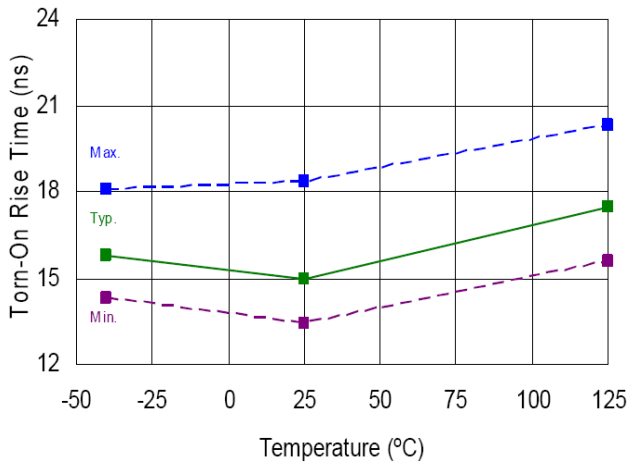
Figure 2B. Turn-Off Propagation Delay vs. Supply Voltage



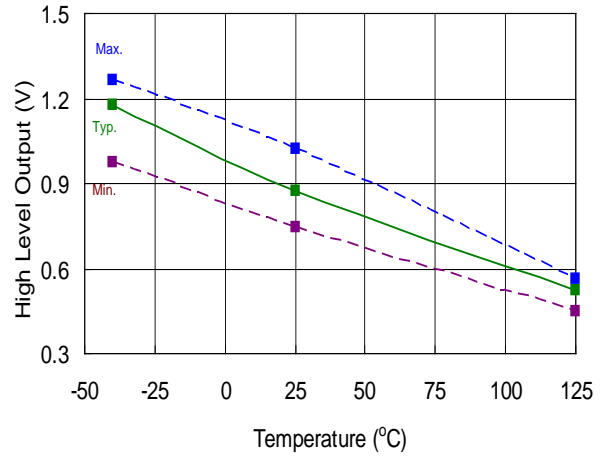
**Figure 3A. Turn-Off Fall Time vs. Temperature**



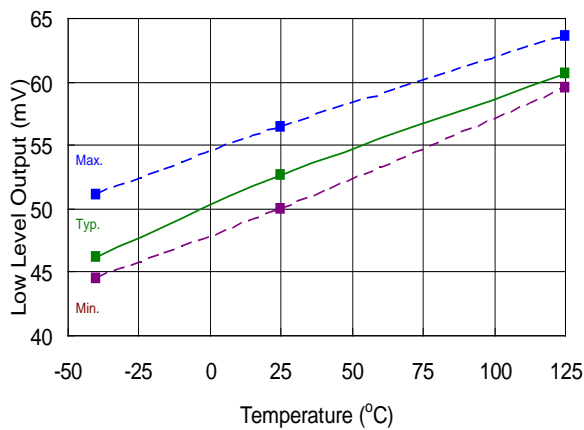
**Figure 3B. Turn-Off Fall Time vs. Supply Voltage**



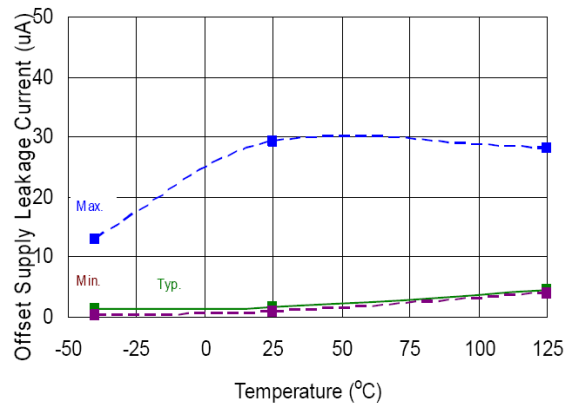
**Figure 4. Turn-On Rise Time vs. Temperature**



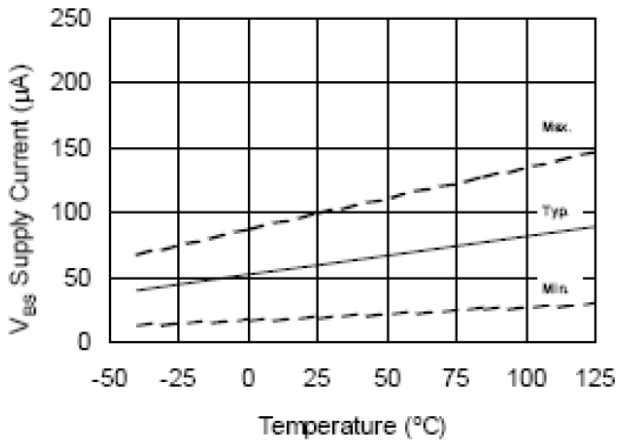
**Figure 5. High Level Output Voltage vs. Temperature (Io = 0mA)**



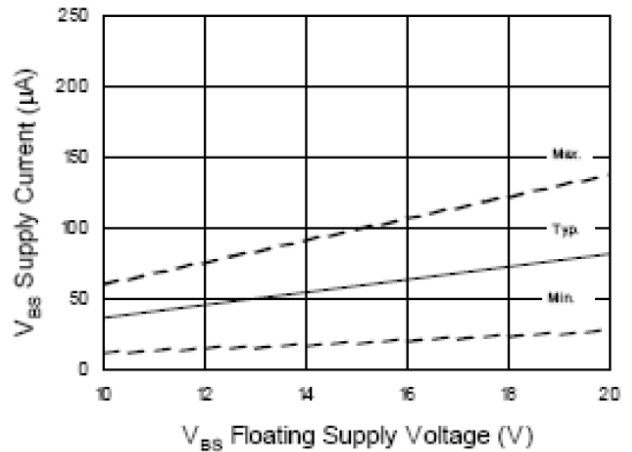
**Figure 6. Low Level Output vs. Temperature**



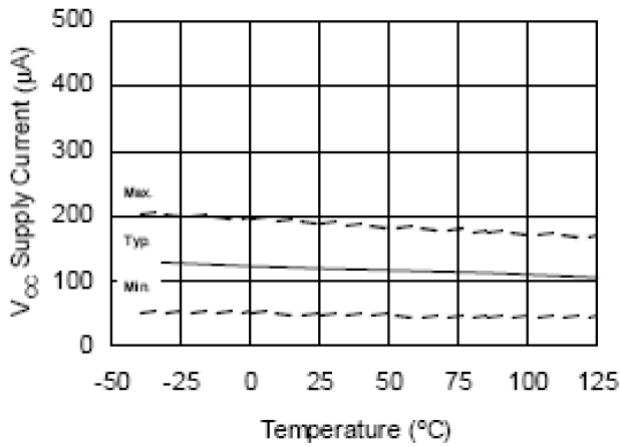
**Figure 7. Offset Supply Leakage Current vs. Temperature**



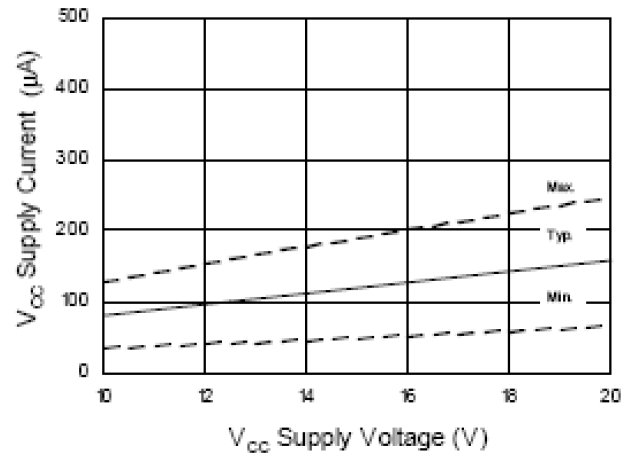
**Figure 8A V<sub>BS</sub> Supply Current vs. Temperature**



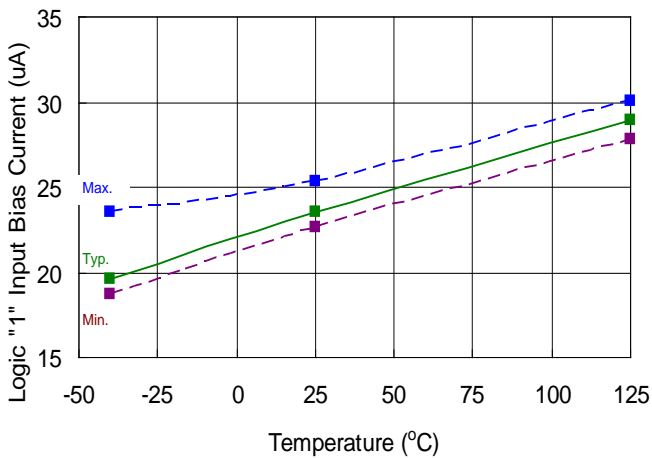
**Figure 8B V<sub>BS</sub> Supply Current vs. V<sub>BS</sub> Floating Supply Voltage**



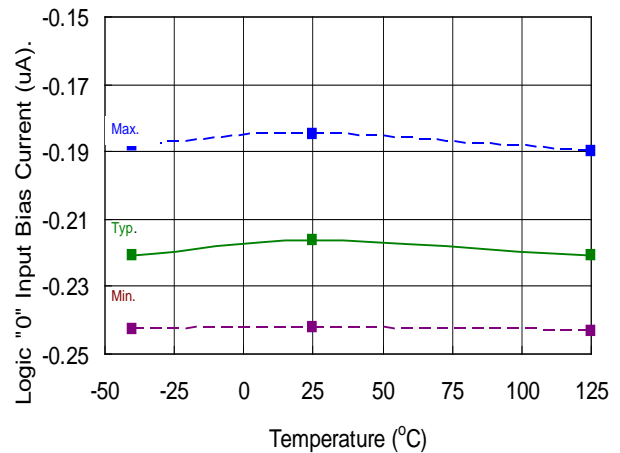
**Figure 9A V<sub>CC</sub> Supply Current vs. Temperature**



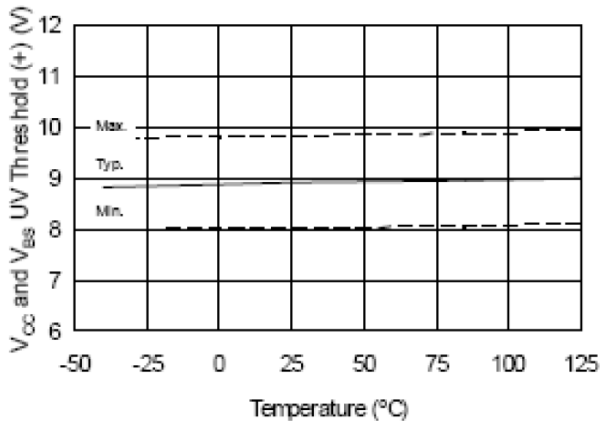
**Figure 9B V<sub>CC</sub> Supply Current vs. V<sub>CC</sub> Supply Voltage**



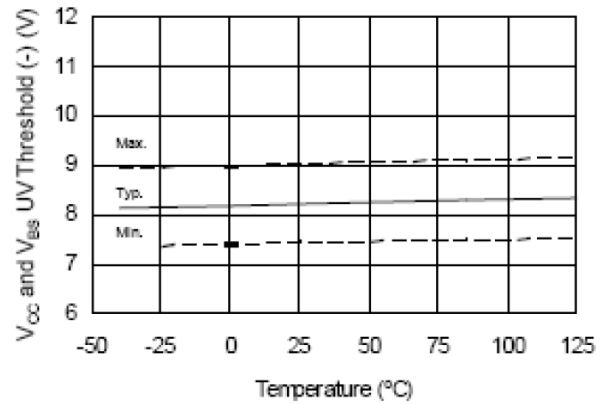
**Figure 10. Logic "1" Input Bias vs. Temperature**



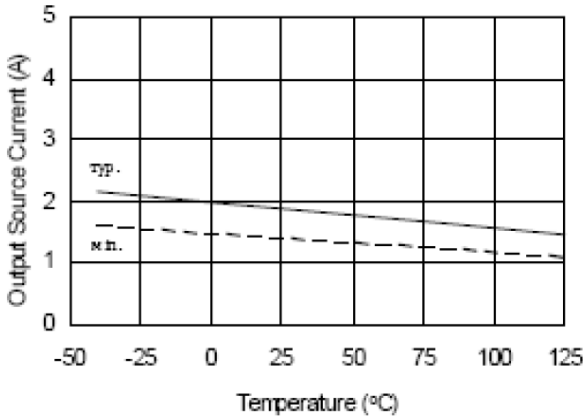
**Figure 11. Logic "0" Input Bias vs. Temperature**



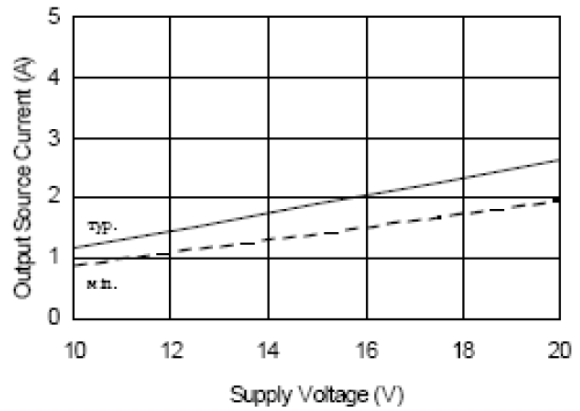
**Figure 12.  $V_{CC}$  and  $V_{BS}$  Undervoltage Threshold(+) vs Temperature**



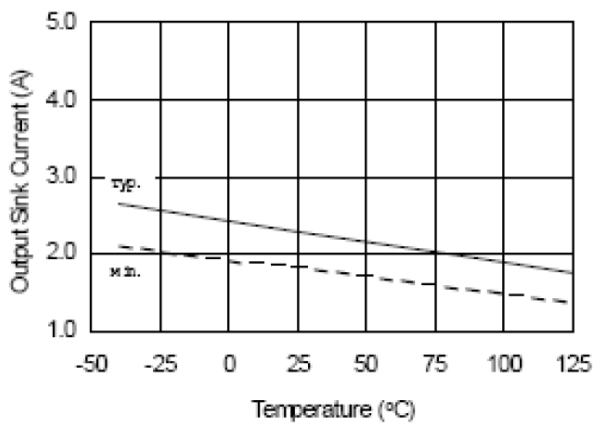
**Figure 13.  $V_{CC}$  and  $V_{BS}$  Undervoltage Threshold(-) vs Temperature**



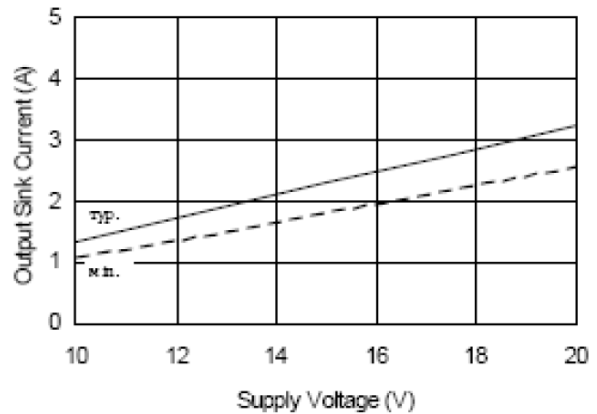
**Figure 14A. Output Source Current vs Temperature**



**Figure 14B. Output Source Current vs Supply Voltage**



**Figure 15A. Output Sink Current vs Temperature**



**Figure 15B. Output Sink Current vs Supply Voltage**

### Negative Vs Safety Operating Area (negVs SOA)

There could be conditions in which Vs node falls below (i.e. negative) VSS/COM nodes (e.g. because of wrong system layout). This condition should be avoided because it could bring to uncontrolled behavior of the driver.

The negVs SOA identifies the energy of negative Vs pulses at which the driver can withstand; pulse energy is identified as the product of pulse duration by its amplitude. Fig. 16 shows the negVs SOA of AUIRS2181(4)S at both ambient and over temperature conditions. Test conditions were VCC=VBS=15V referenced to VSS=COM.

Even though the AUIRS2181(4)S has been designed and tested to handle these negative VS transient conditions, it is highly recommended that the circuit designer always limit the negative VS transients as much as possible by careful PCB layout and component use.

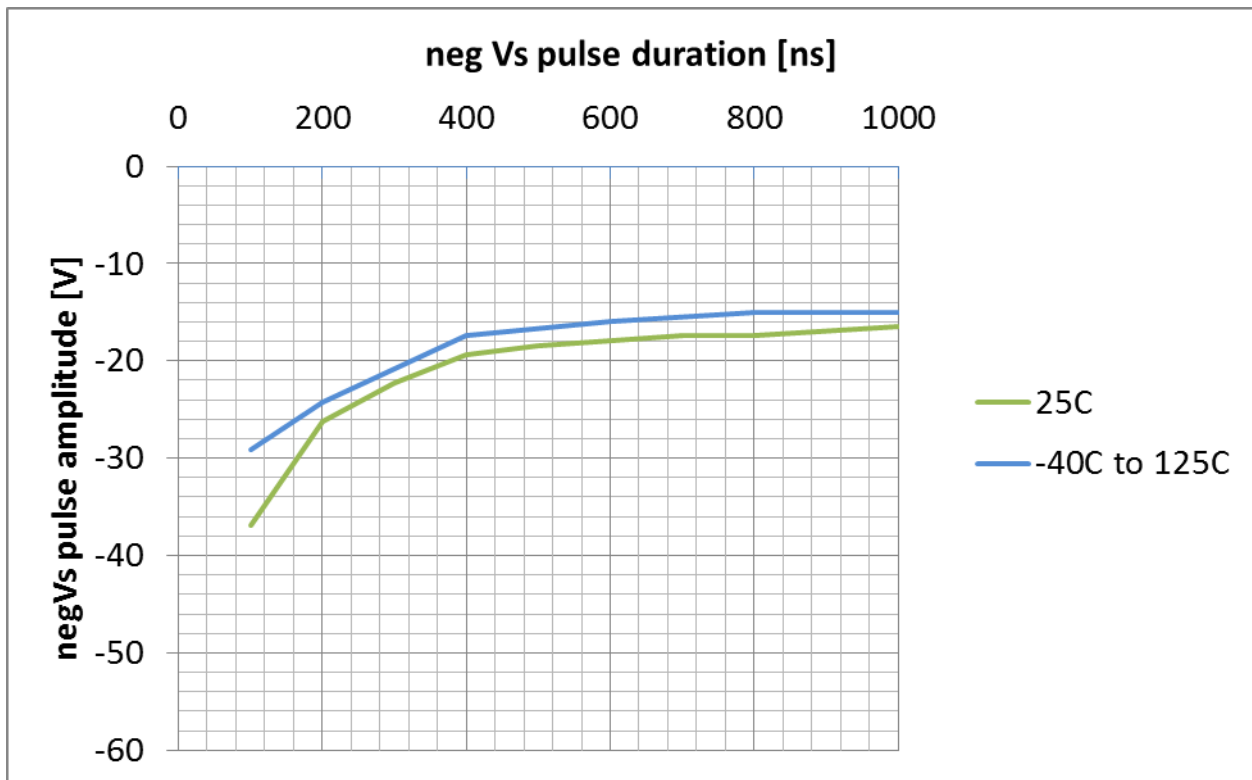
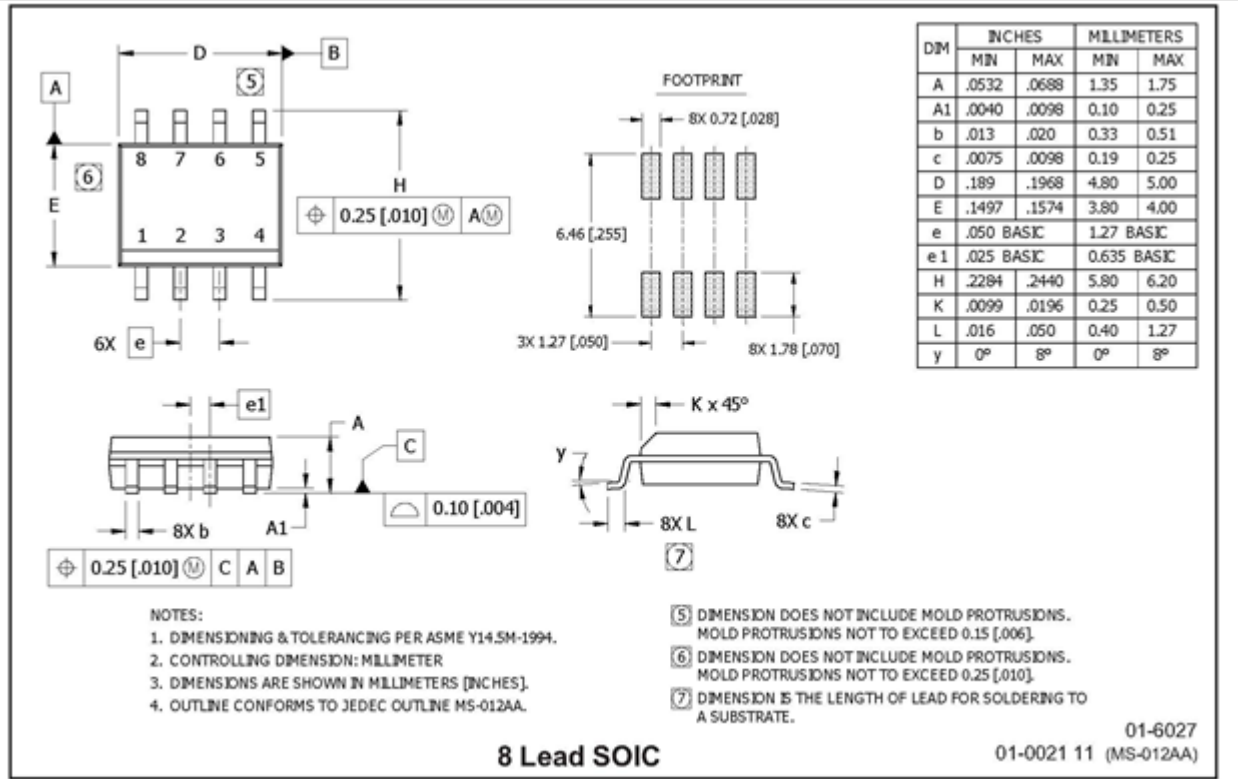
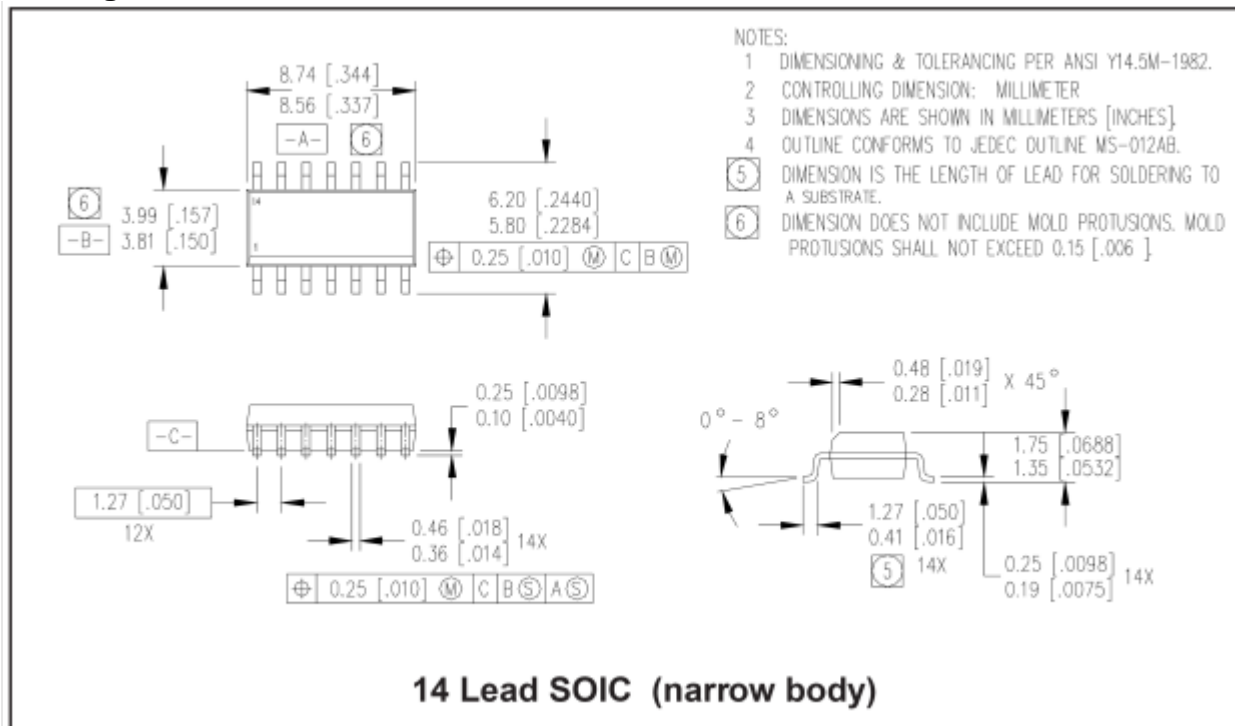
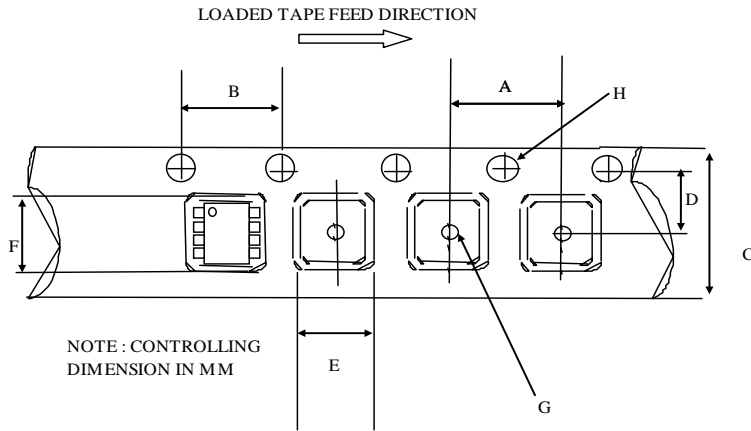


Fig. 16 Negative Vs SOA of AUIRS2181(4)S.

**Package Details: SOIC8**

**Package Details: SOIC14N**


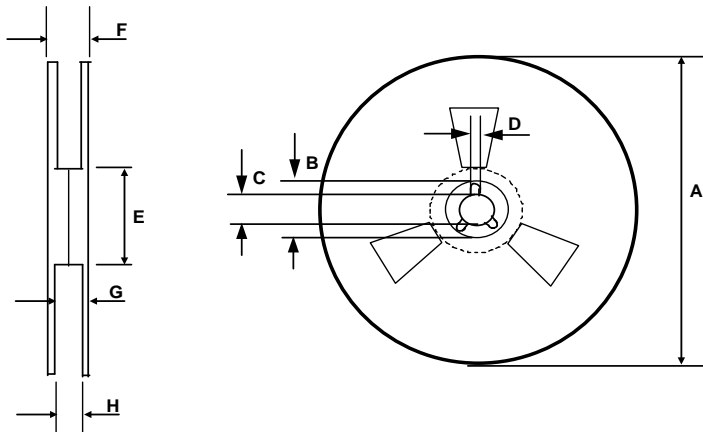


**Tape and Reel Details: SOIC8**



**CARRIER TAPE DIMENSION FOR 8SOICN**

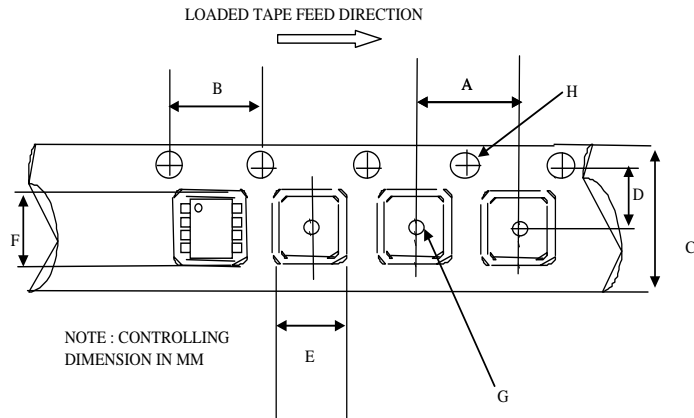
Code	Metric		Imperial	
	Min	Max	Min	Max
A	7.90	8.10	0.311	0.318
B	3.90	4.10	0.153	0.161
C	11.70	12.30	0.46	0.484
D	5.45	5.55	0.214	0.218
E	6.30	6.50	0.248	0.255
F	5.10	5.30	0.200	0.208
G	1.50	n/a	0.059	n/a
H	1.50	1.60	0.059	0.062



**REEL DIMENSIONS FOR 8SOICN**

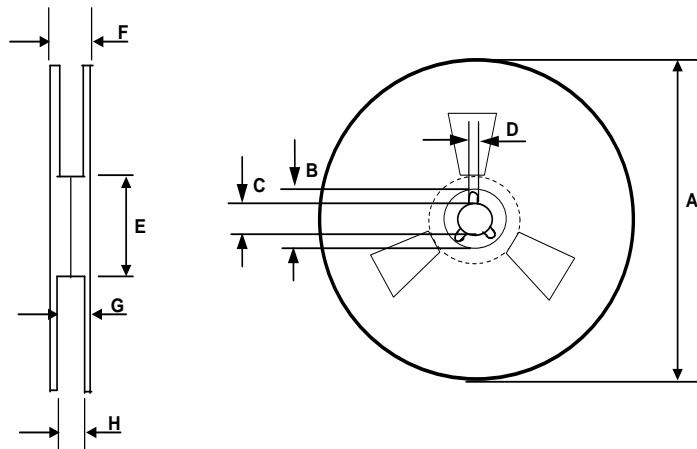
Code	Metric		Imperial	
	Min	Max	Min	Max
A	329.60	330.25	12.976	13.001
B	20.95	21.45	0.824	0.844
C	12.80	13.20	0.503	0.519
D	1.95	2.45	0.767	0.096
E	98.00	102.00	3.858	4.015
F	n/a	18.40	n/a	0.724
G	14.50	17.10	0.570	0.673
H	12.40	14.40	0.488	0.566

**Tape and Reel Details: SOIC14N**



CARRIER TAPE DIMENSION FOR 14SOICN

Code	Metric		Imperial	
	Min	Max	Min	Max
A	7.90	8.10	0.311	0.318
B	3.90	4.10	0.153	0.161
C	15.70	16.30	0.618	0.641
D	7.40	7.60	0.291	0.299
E	6.40	6.60	0.252	0.260
F	9.40	9.60	0.370	0.378
G	1.50	n/a	0.059	n/a
H	1.50	1.60	0.059	0.062

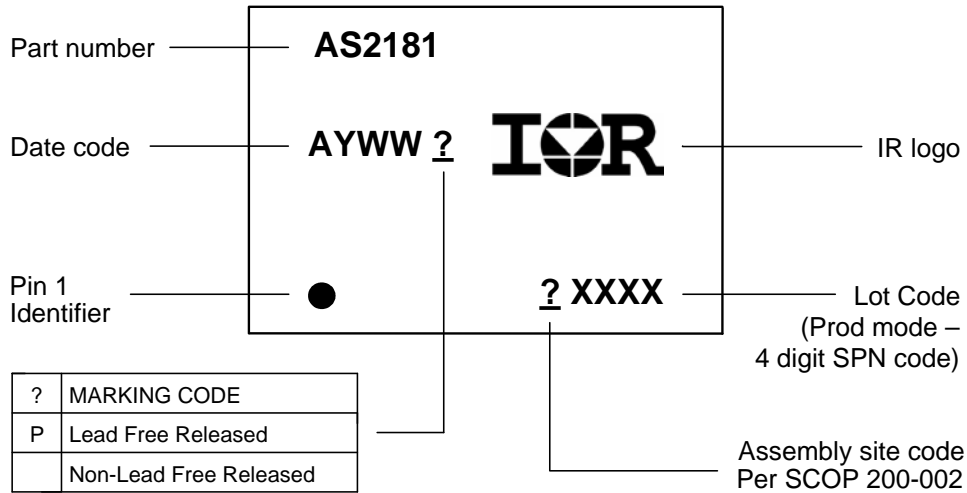


REEL DIMENSIONS FOR 14SOICN

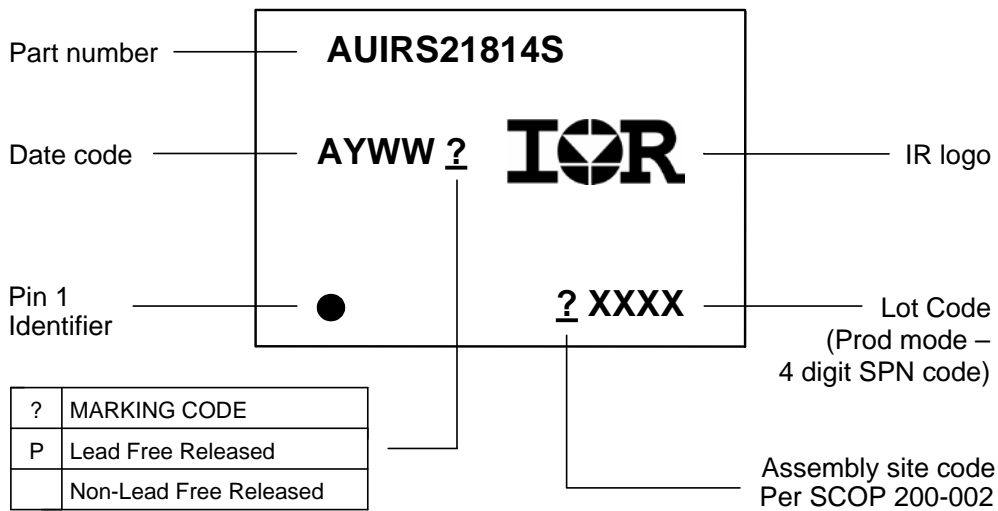
Code	Metric		Imperial	
	Min	Max	Min	Max
A	329.60	330.25	12.976	13.001
B	20.95	21.45	0.824	0.844
C	12.80	13.20	0.503	0.519
D	1.95	2.45	0.767	0.096
E	98.00	102.00	3.858	4.015
F	n/a	22.40	n/a	0.881
G	18.50	21.10	0.728	0.830
H	16.40	18.40	0.645	0.724

**Part Marking Information**

**SOIC8:**



**SOIC14N:**



**Qualification Information<sup>†</sup>**

<b>Qualification Level</b>		Automotive (per AEC-Q100††)	
		Comments: This family of ICs has passed an Automotive qualification. IR's Industrial and Consumer qualification level is granted by extension of the higher Automotive level.	
<b>Moisture Sensitivity Level</b>		SOIC8	MSL3 <sup>†††</sup> 260°C (per IPC/JEDEC J-STD-020)
		SOIC14N	MSL3 <sup>†††</sup> 260°C (per IPC/JEDEC J-STD-020)
<b>ESD</b>	<i>Machine Model</i>	Class M2 (Pass +/-150V) (per AEC-Q100-003)	
	<i>Human Body Model</i>	Class H1B (Pass +/-1000V) (per AEC-Q100-002)	
	<i>Charged Device Model</i>	Class C4 (Pass +/-1000V) (per AEC-Q100-011)	
<b>IC Latch-Up Test</b>		Class II, Level A <sup>††††</sup> (per AEC-Q100-004)	
<b>RoHS Compliant</b>		Yes	

† Qualification standards can be found at International Rectifier's web site <http://www.irf.com/>

†† Exceptions to AEC-Q100 requirements are noted in the qualification report.

††† Higher MSL ratings may be available for the specific package types listed here. Please contact your International Rectifier sales representative for further information.

†††† HIN, LIN Class II Level B at 80mA per JESD78.

### IMPORTANT NOTICE

Unless specifically designated for the automotive market, International Rectifier Corporation and its subsidiaries (IR) reserve the right to make corrections, modifications, enhancements, improvements, and other changes to its products and services at any time and to discontinue any product or services without notice. Part numbers designated with the “AU” prefix follow automotive industry and / or customer specific requirements with regards to product discontinuance and process change notification. All products are sold subject to IR’s terms and conditions of sale supplied at the time of order acknowledgment.

IR warrants performance of its hardware products to the specifications applicable at the time of sale in accordance with IR’s standard warranty. Testing and other quality control techniques are used to the extent IR deems necessary to support this warranty. Except where mandated by government requirements, testing of all parameters of each product is not necessarily performed.

IR assumes no liability for applications assistance or customer product design. Customers are responsible for their products and applications using IR components. To minimize the risks with customer products and applications, customers should provide adequate design and operating safeguards.

Reproduction of IR information in IR data books or data sheets is permissible only if reproduction is without alteration and is accompanied by all associated warranties, conditions, limitations, and notices. Reproduction of this information with alterations is an unfair and deceptive business practice. IR is not responsible or liable for such altered documentation. Information of third parties may be subject to additional restrictions.

Resale of IR products or serviced with statements different from or beyond the parameters stated by IR for that product or service voids all express and any implied warranties for the associated IR product or service and is an unfair and deceptive business practice. IR is not responsible or liable for any such statements.

IR products are not designed, intended, or authorized for use as components in systems intended for surgical implant into the body, or in other applications intended to support or sustain life, or in any other application in which the failure of the IR product could create a situation where personal injury or death may occur. Should Buyer purchase or use IR products for any such unintended or unauthorized application, Buyer shall indemnify and hold International Rectifier and its officers, employees, subsidiaries, affiliates, and distributors harmless against all claims, costs, damages, and expenses, and reasonable attorney fees arising out of, directly or indirectly, any claim of personal injury or death associated with such unintended or unauthorized use, even if such claim alleges that IR was negligent regarding the design or manufacture of the product.

IR products are neither designed nor intended for use in military/aerospace applications or environments unless the IR products are specifically designated by IR as military-grade or “enhanced plastic.” Only products designated by IR as military-grade meet military specifications. Buyers acknowledge and agree that any such use of IR products which IR has not designated as military-grade is solely at the Buyer’s risk, and that they are solely responsible for compliance with all legal and regulatory requirements in connection with such use.

IR products are neither designed nor intended for use in automotive applications or environments unless the specific IR products are designated by IR as compliant with ISO/TS 16949 requirements and bear a part number including the designation “AU”. Buyers acknowledge and agree that, if they use any non-designated products in automotive applications, IR will not be responsible for any failure to meet such requirements.

For technical support, please contact IR’s Technical Assistance Center

<http://www.irf.com/technical-info/>

**WORLD HEADQUARTERS:**

233 Kansas St., El Segundo, California 90245  
Tel: (310) 252-7105

**Revision History**

<b>Date</b>	<b>Comment</b>
04/29/08	Draft
5/6/08	Converted to new automotive format
9/30/08	Reviewed and updated various missing information
10/01/08	Inserted Input/Output Pin Equivalent Circuit Diagram
Feb, 10 <sup>th</sup> , 2009	Typ application list and other minor changes
Feb. 11, 2009	Removed PDIP package versions from datasheet
Aug. 4, 2009	Updated qualification information, characterization curves
Aug. 11, 2009	Updated plot, removed characterization graphs, changes package type info
Aug. 13, 2009	Updated VIH/VIL graphs
Sep 23 <sup>rd</sup> , 2009	Typ appl. Section update; Rearranged graphs with temperature and supply characteristic, updated marking detail with p/n; added ESD passing voltage; update LU test passing current from 40mA to 80mA.
Dec. 16, 09	Changed Iqcc/Iqbs min to 15uA; added Important Notice page; changed ton typ=160ns; toff typ=200ns; tr typ=15ns; tf typ=15ns
Feb. 24, 2010	Page 6: Added I <sub>O25+</sub> and I <sub>O25-</sub> specification and the notes
Jul. 27, 2010	clamp diode values changed from 25V into 20V (in-out pin eq. circ. diagrams)
Mar 07, 2012	Input zener clamp note deleted in recommended op cond
Sept. 30 <sup>th</sup> , 2013	Added negVs SOA
Oct. 04 <sup>th</sup> , 2013	Adapted to new format
Jan. 10, 2014	Updated datasheet to display respective page number on bottom left corner of every page