

D8 - SERIES

SPECIFICATIONS AND ORDERING INFORMATION

2 5/16" DIAMETER 2.25 AMPS @ 28 VDC

The D8 Series switches are heavy duty, 18 position, 20° index, and glass epoxy insulation. Double eyelet construction is standard to assist in supporting larger wiring harness applications. Positive indexing is provided by a dual-ball, hill and valley index assembly.



SPECIFICATIONS

ELECTRICAL

Current and Voltage Rating: Make and break resistive load
2.25 amps @ 28 VDC; 1.0 amp @ 115 VAC.
Current Carrying Capacity: 9 amps.
Dielectric Strength: 1,000 VAC between current carrying parts and ground.
Contact Resistance: Average initial 5 milliohms.
Insulation Resistance: In excess of 750,000 megohms.

Hardware: Mounting nut and lockwasher are shipped assembled.

MECHANICAL

Materials and Finishes: All parts utilize non-corrosive materials as standard.
Clips and Rotors: Brass with silver plate as standard.
Insulation: Glass epoxy.
Index: Dual-ball, hill and valley.
Index Life: 25,000 cycles minimum.
Index Torque: Switches have lowest practical torque consistent with crisp detenting and smooth, reliable operation.
Index Angles: Positive 20° standard.
Index Stops: Adjustable standard, fixed or continuous.
Stop Strength: 25 in. lbs. minimum.

STANDARD PART NUMBER

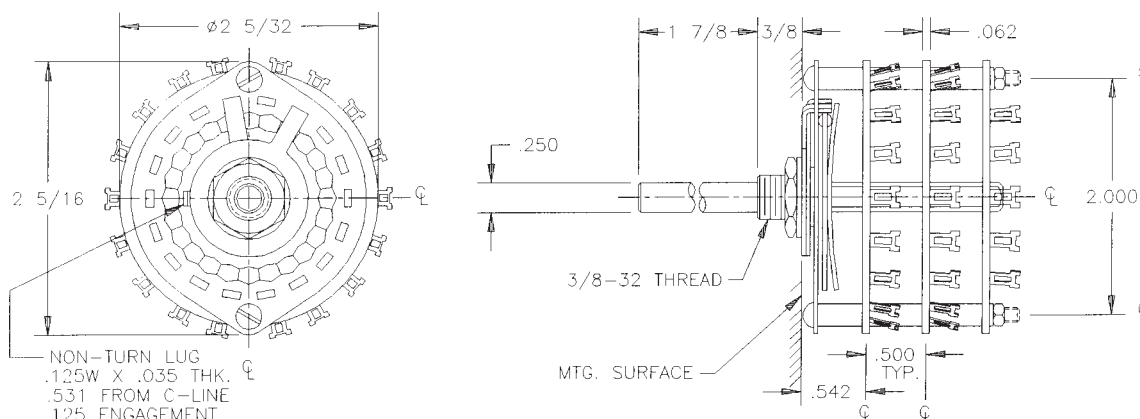
GLASS EPOXY INSULATION SWITCHES - 20° INDEXING
ADJUSTABLE STOPS SET @ 2 POS. - SOLDER LUG TERMINALS

POLES	ACTIVE POSITIONS	POLES/ SECTION	NO. OF SECTIONS	SHORTING	NON-SHORTING	FIG. ★
01	02-17	1	1	D8G0117S	D8G0117N	DT
02	02-17	1	2	D8G0217S	D8G0217N	DT
03	02-17	1	3	D8G0317S	D8G0317N	DT
04	02-17	1	4	D8G0417S	D8G0417N	DT
05	02-17	1	5	D8G0517S	D8G0517N	DT
06	02-17	1	6	D8G0617S	D8G0617N	DT
07	02-17	1	7	D8G0717S	D8G0717N	DT
08	02-17	1	8	D8G0817S	D8G0817N	DT

* FIGURES ARE SHOWN ON PAGE 57.

DIMENSIONS

STANDARD CONSTRUCTION
D8G - GLASS EPOXY
CONSTRUCTION

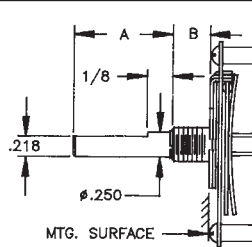


How to Order Additional Options:

2 DIGIT SERIES	INSULATION TYPE	TOTAL POLES	ACTIVE POSITIONS	CONTACT TYPE	TERMINAL TYPE	INDEX ANGLE	STOP TYPE	SHAFT/BUSHING	SHAFT FLAT
D8	G - GLASS	01 - MIN.	18 - MAX @ 20°	N - NON SHORTING S - SHORTING			A - ADJ. F - FIXED C - CONT.	SEE CHART "A"	SEE CHART "B"

CUSTOMERS SPECIFIED ORDER NUMBER FOR STANDARD OPTIONS				ADDITIONAL OPTIONS		
D	8	G				
		(SPECIFY)	(SPECIFY)	(SPECIFY)	(SPECIFY)	(SPECIFY)

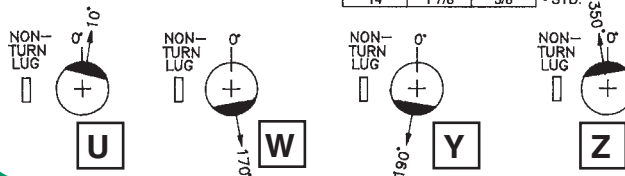
SHAFT, BUSHING, AND FLAT OPTIONS



P/N OPT.	SHAFT LGTH. "A"	BUSH. LGTH. "B"
01	3/8	1/4
02	3/8	3/8
03	1/2	1/4
04	1/2	3/8
05	9/16	1/4
06	9/16	3/8
07	3/4	1/4
08	3/4	3/8
09	1	1/4
10	1	3/8
11	1 1/2	1/4
12	1 1/2	3/8
13	1 7/8	1/4
14	1 7/8	3/8

P/N OPT.	FLAT ANGLE
B	ROUND - STD.
U	10°
W	170°
Y	190°
Z	350°

SHAFT AS VIEWED WITH NON-TURN LUG AT 9 O'CLOCK AND SHAFT IN EXTREME CCW POSITION AND STRUT BOLTS ORIENTED VERTICALLY.



CUSTOM SWITCHES ARE AVAILABLE. CONTACT THE FACTORY WITH YOUR COMPLETE SPECIFICATIONS.