

ABSOLUTE MAXIMUM RATINGS ²

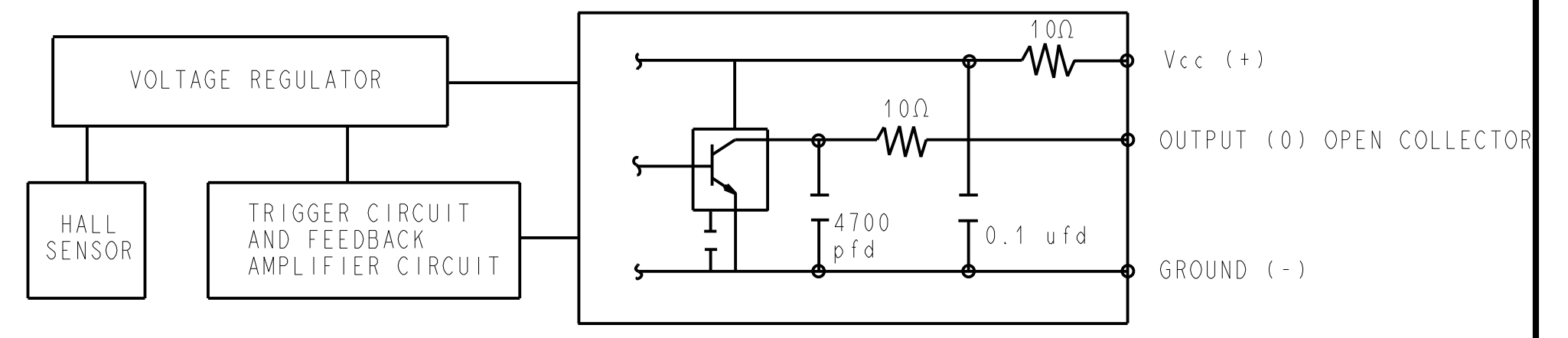
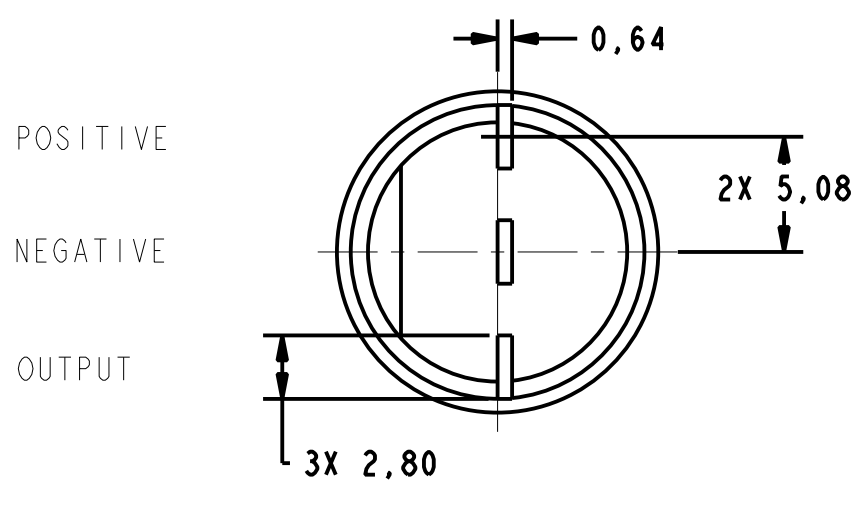
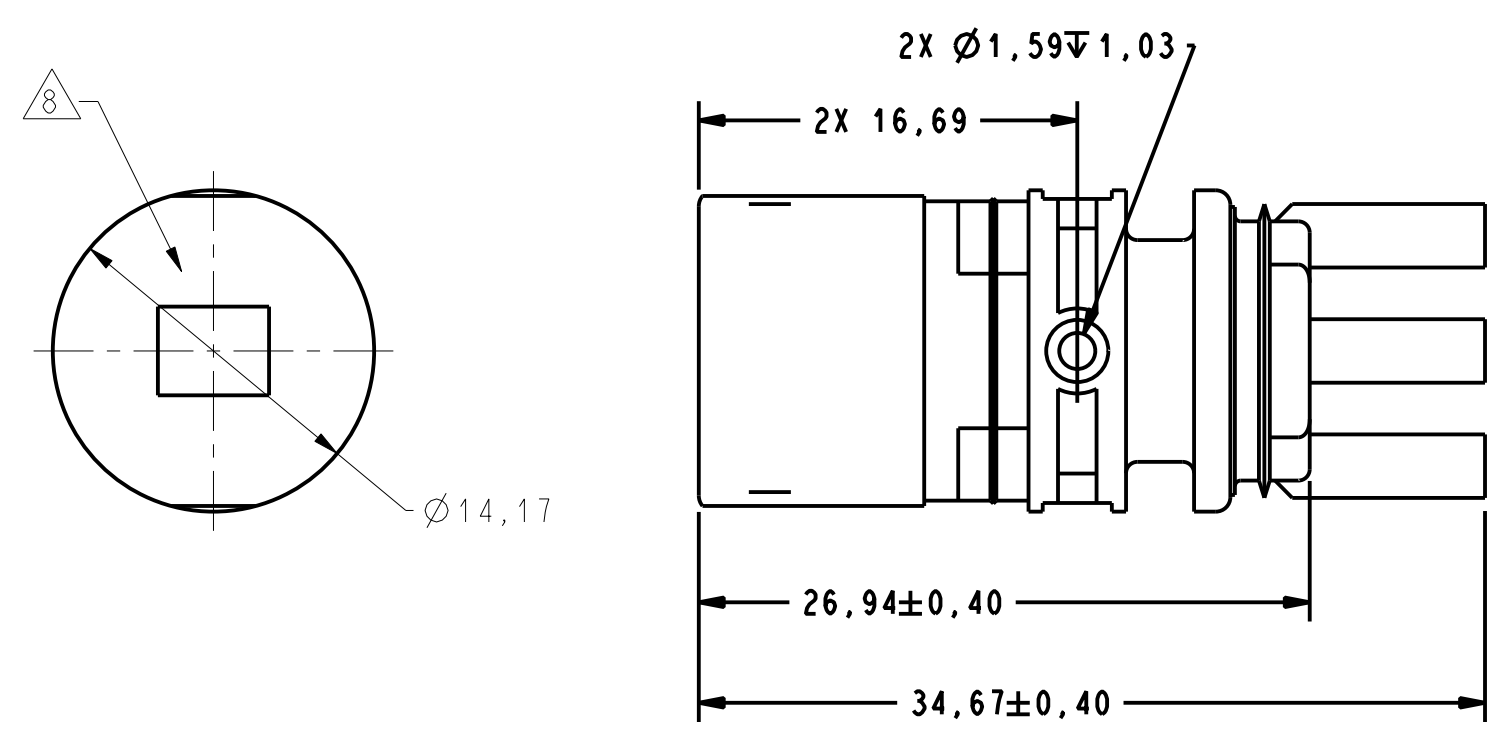
SUPPLY VOLTAGE	+30V CONTINUOUS
VOLTAGE EXTERNALLY APPLIED TO OUTPUT	-0.5 TO +30V (OUTPUT HIGH)
OUTPUT CURRENT	40 mA SINKING
TEMP	150°C

RECOMMENDED OPERATING CONDITIONS

PARAMETER	CONDITIONS	MIN	TYP	MAX	UNITS
OPERATING TEMPERATURE		-40		+150	°C
SUPPLY VOLTAGE		4.5		24	VDC
SUPPLY CURRENT			10	20	mA
OUTPUT VOLTAGE	LOW OUTPUT			.5	VDC
OUTPUT CURRENT	LOW OUTPUT			20	mA
OUTPUT LEAKAGE CURRENT	HIGH OUTPUT			10	µA
RISE TIME	10% TO 90%			15	µS
FALL TIME	90% TO 10%			1.0	µS

OPERATING SPECIFICATIONS ^{3,4,5,6,7}

	LIMIT	CONDITIONS	UNITS
⁴ OPERATE	3.0° ± 1.25°	AIR GAP 0.38 - 2.28 V SUPPLY 4.5-24	mm VOLTS
⁵ RELEASE	3.0° ± 2.50°	TEMP -40 TO 150 RPM 10 TO 3600	DEG



BLOCK DIAGRAM SHOWING CURRENT SINKING OUTPUT

- NOTES**
- TARGET SHOULD BE MADE OF C-1018 STEEL OR ENGINEERING APPROVED EQUIVALENT, ANNEAL AFTER MACHINING OR FORMING
 - MAX LIMITS THAT SWITCH WILL WITHSTAND WITHOUT DAMAGE
 - OPERATING SPECIFICATION IS BASED ON TARGET SHOWN IN FIGURE 1 AND WILL VARY WITH TARGET GEOMETRY
 - OPERATE (DEGREES) IS THE ANGULAR DISTANCE FROM THE LEADING EDGE OF THE TOOTH TO THE CENTERLINE OF THE SENSOR
 - RELEASE (DEGREES) IS THE ANGULAR DISTANCE FROM THE TRAILING EDGE OF THE TOOTH TO THE CENTERLINE OF THE SENSOR
 - ELECTRICAL CHARACTERISTICS ARE GUARANTEED WITH MAX EXTERNAL LOAD CAPACITANCE < 550 pfd
 - AIR GAP IS THE DISTANCE FROM SENSOR FACE TO TARGET
 - CATALOG LISTING, DATE CODE AND SERIAL NUMBER LOCATED IN THIS AREA
 - RELIABILITY AND EMI PERFORMANCE IS BASED ON TS 060 234
 - FOR VALUE ADDED ASSEMBLY CONSIDERATIONS REFERENCE APPLICATION NOTE PK-80139

1GP7001
 DRAWING NUMBER
 PAGE 1 OF 1
 RELEASE NO. DR-4887
 REPLACES X110028-GT
 12MAY04
 CHECK
 26MAR96
 20MAR96
 12MAY04
 PTC/CAD
 KAG

THIS DRAWING COVERS A PROPRIETARY ITEM AND IS THE PROPERTY OF MICRO SWITCH, A DIVISION OF HONEYWELL. THIS DRAWING IS NOT TO BE COPIED OR USED WITHOUT THE APPROVAL OF MICRO SWITCH.		THIRD ANGLE PROJECTION 	
MICRO SWITCH a Honeywell Division		SCALE 3:1 DO NOT SCALE PRINT UNLESS OTHERWISE SPECIFIED TOLERANCES ARE NO PLACE (0) ± 1 MM ONE PLACE (0,0) ± 0,4 MM TWO PLACE (0,00) ± 0,15 MM ANGLES ±	
GEARTOOTH SENSOR		CATALOG LISTING 1GP7001	
ANSI Y14.5M-1982 APPLIES		WEIGHT	