



C8051F2XX DEVELOPMENT KIT USER'S GUIDE

1. Kit Contents

The C8051F2xx Development Kits contain the following items:

- C8051F206 or C8051F226 Target Board
- Serial Adapter (RS-232 to Target Board Protocol Converter)
- Silicon Laboratories IDE and Product Information CD-ROM. CD content includes:
 - Silicon Laboratories Integrated Development Environment (IDE)
 - Keil Software 8051 Development Tools (macro assembler, linker, evaluation 'C' compiler)
 - Installation utility (SETUP.EXE)
 - Source code examples and register definition files
 - Documentation
- AC to DC Power Adapter
- RS232 Serial Cable
- 7" Ribbon Cable
- Quick-start Guide
- C8051F2xx Development Kit User's Guide (this document)

2. Hardware Setup

The target board is connected to a PC running the Silicon Laboratories IDE via the Serial Adapter as shown in Figure 1.

1. Connect one end of the RS232 serial cable to a serial (COM) port on the PC.
2. Connect the other end of the RS232 serial cable to the DB-9 connector on the Serial Adapter.
3. Connect the Serial Adapter to the JTAG connector on the target board using the 10-pin ribbon cable.
4. Connect the AC/DC power adapter to power jack P1 on the target board.

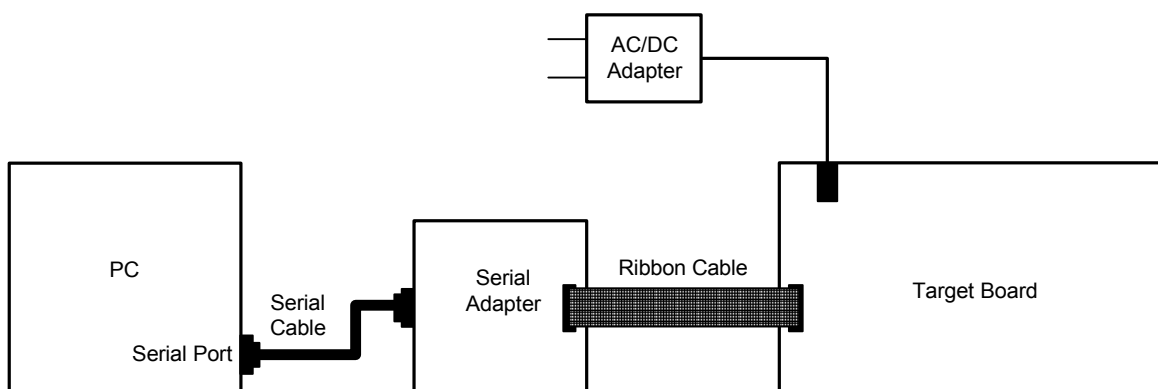


Figure 1. Hardware Setup

Note: The Reset switch on the target board is disabled when the serial adapter is connected to the target board. Use the **Reset** button in the Silicon Laboratories IDE toolbar to reset the target when connected to the Serial Adapter.

3. Software Setup

The included CD-ROM contains the Silicon Laboratories Integrated Development Environment (IDE), Keil software 8051 tools and additional documentation. Insert the CD-ROM into your PC's CD-ROM drive. An installer will automatically launch, allowing you to install the IDE software or read documentation by clicking buttons on the Installation Panel. If the installer does not automatically start when you insert the CD-ROM, run *autorun.exe* found in the root directory of the CD-ROM. Refer to the *readme.txt* file on the CD-ROM for the latest information regarding known IDE problems and restrictions.

4. Silicon Laboratories Integrated Development Environment

The Silicon Laboratories IDE integrates a source-code editor, source-level debugger and in-system Flash programmer. The use of third-party compilers and assemblers is also supported. This development kit includes the Keil Software A51 macro assembler, BL51 linker and evaluation version C51 'C' compiler. These tools can be used from within the Silicon Laboratories IDE.

4.1. System Requirements

The Silicon Laboratories IDE requirements:

- Pentium-class host PC running Microsoft Windows 95 or later, or Microsoft Windows NT or later.
- One available COM port.
- 64 MB RAM and 40 MB free HD space recommended.

4.2. Assembler and Linker

A full-version Keil A51 macro assembler and BL51 banking linker are included with the development kit and are installed during IDE installation. The complete assembler and linker reference manual can be found on-line under the **Help** menu in the IDE or in the "*SiLabs\MCU\help*" directory (A51.pdf).

4.3. Evaluation C51 'C' Compiler

An evaluation version of the Keil C51 'C' compiler is included with the development kit and is installed during IDE installation. The evaluation version of the C51 compiler is the same as the full professional version except code size is limited to 4 kB and the floating point library is not included. The C51 compiler reference manual can be found under the **Help** menu in the IDE or in the "*SiLabs\MCU\help*" directory (C51.pdf).

4.4. Using the Keil Software 8051 Tools with the Silicon Laboratories IDE

To perform source-level debugging with the IDE, you must configure the Keil 8051 tools to generate an absolute object file in the OMF-51 format with object extensions and debug records enabled. You may build the OMF-51 absolute object file by calling the Keil 8051 tools at the command line (e.g. batch file or make file) or by using the project manager built into the IDE. The default configuration when using the Silicon Laboratories IDE project manager enables object extension and debug record generation. Refer to Applications Note **AN104 - Integrating Keil 8051 Tools Into the Silicon Labs IDE** in the "*SiLabs\MCU\Documentation\Appnotes*" directory on the CD-ROM for additional information on using the Keil 8051 tools with the Silicon Laboratories IDE.

To build an absolute object file using the Silicon Laboratories IDE project manager, you must first create a project. A project consists of a set of files, IDE configuration, debug views, and a target build configuration (list of files and tool configurations used as input to the assembler, compiler, and linker when building an output object file).

The following sections illustrate the steps necessary to manually create a project with one or more source files, build a program and download the program to the target in preparation for debugging. (The IDE will automatically create a single-file project using the currently open and active source file if you select **Build/Make Project** before a project is defined.)

4.4.1. Creating a New Project

1. Select **Project->New Project** to open a new project and reset all configuration settings to default.
2. Select **File->New File** to open an editor window. Create your source file(s) and save the file(s) with a recognized extension, such as .c, .h, or .asm, to enable color syntax highlighting.
3. Right-click on “New Project” in the **Project Window**. Select **Add files to project**. Select files in the file browser and click Open. Continue adding files until all project files have been added.
4. For each of the files in the **Project Window** that you want assembled, compiled and linked into the target build, right-click on the file name and select **Add file to build**. Each file will be assembled or compiled as appropriate (based on file extension) and linked into the build of the absolute object file.

Note: If a project contains a large number of files, the “Group” feature of the IDE can be used to organize. Right-click on “New Project” in the **Project Window**. Select **Add Groups to project**. Add pre-defined groups or add customized groups. Right-click on the group name and choose **Add file to group**. Select files to be added. Continue adding files until all project files have been added.

4.4.2. Building and Downloading the Program for Debugging

1. Once all source files have been added to the target build, build the project by clicking on the **Build/Make Project** button in the toolbar or selecting **Project->Build/Make Project** from the menu.

Note: After the project has been built the first time, the **Build/Make Project** command will only build the files that have been changed since the previous build. To rebuild all files and project dependencies, click on the **Rebuild All** button in the toolbar or select **Project->Rebuild All** from the menu.

2. C8051F2xx family devices use the JTAG debug interface. You must select **JTAG** in the **Options->Debug Interface** menu to enable connection to C80512xx target devices. Click the **Connect** button in the toolbar or select **Debug->Connect** from the menu to connect to the device.
3. Download the project to the target by clicking the **Download Code** button in the toolbar.

Note: To enable automatic downloading if the program build is successful select **Enable automatic connect/download after build** in the **Project->Target Build Configuration** dialog. If errors occur during the build process, the IDE will not attempt the download.

4. Save the project when finished with the debug session to preserve the current target build configuration, editor settings and the location of all open debug views. To save the project, select **Project->Save Project As...** from the menu. Create a new name for the project and click on **Save**.

5. Example Source Code

Example source code and register definition files are provided in the “*SiLabs\MCU\Examples\C8051F2xx*” directory during IDE installation. These files may be used as a template for code development. Example applications include a blinking LED example which configures the green LED on the target board to blink at a fixed rate.

5.1. Register Definition Files

Register definition files *C8051F200.inc* and *C8051F200.h* define all SFR registers and bit-addressable control/status bits. They are installed into the “*SiLabs\MCU\Examples\C8051F2xx*” directory during IDE installation. The register and bit names are identical to those used in the C8051F2xx data sheet. Both register definition files are also installed in the default search path used by the Keil Software 8051 tools. Therefore, when using the Keil 8051 tools included with the development kit (A51, C51), it is not necessary to copy a register definition file to each project’s file directory.

5.2. Blinking LED Example

The example source files *blink.asm* and *blink.c* show examples of several basic C8051F2xx functions. These include; disabling the watchdog timer (WDT), configuring the Port I/O crossbar, configuring a timer for an interrupt routine, initializing the system clock, and configuring a GPIO port. When compiled/assembled and linked this program flashes the green LED on the target board about five times a second using the interrupt handler with a timer.

6. Target Board

The C8051F2xx Development Kit includes a target board with a C8051F206/26 device pre-installed for evaluation and preliminary software development. Numerous input/output (I/O) connections are provided to facilitate prototyping using the target board. Refer to Figure 2 for the locations of the various I/O connectors.

- P1 Power connector (accepts input from 7 to 15 VDC unregulated power adapter)
- J1 VDDMonEn, Ties MONEN to +3VDD2 or GND to enable/disable the VDD monitor
- J2 64-pin I/O connector providing access to all I/O signals
- P2.5 Connects SW2 to port pin P2.5
- LED Connects LED D2 to port pin P2.4
- PWMIN Connects PWM low-pass filter to port pin P2.7
- J5 Connects P3.0 to analog signal from J6
- J6 Analog I/O configuration connector
- J7 Connects P3.1 to analog signal from J6
- X1 Analog I/O terminal block
- JTAG Connects the Serial Adapter to the target board via a 10-pin ribbon cable

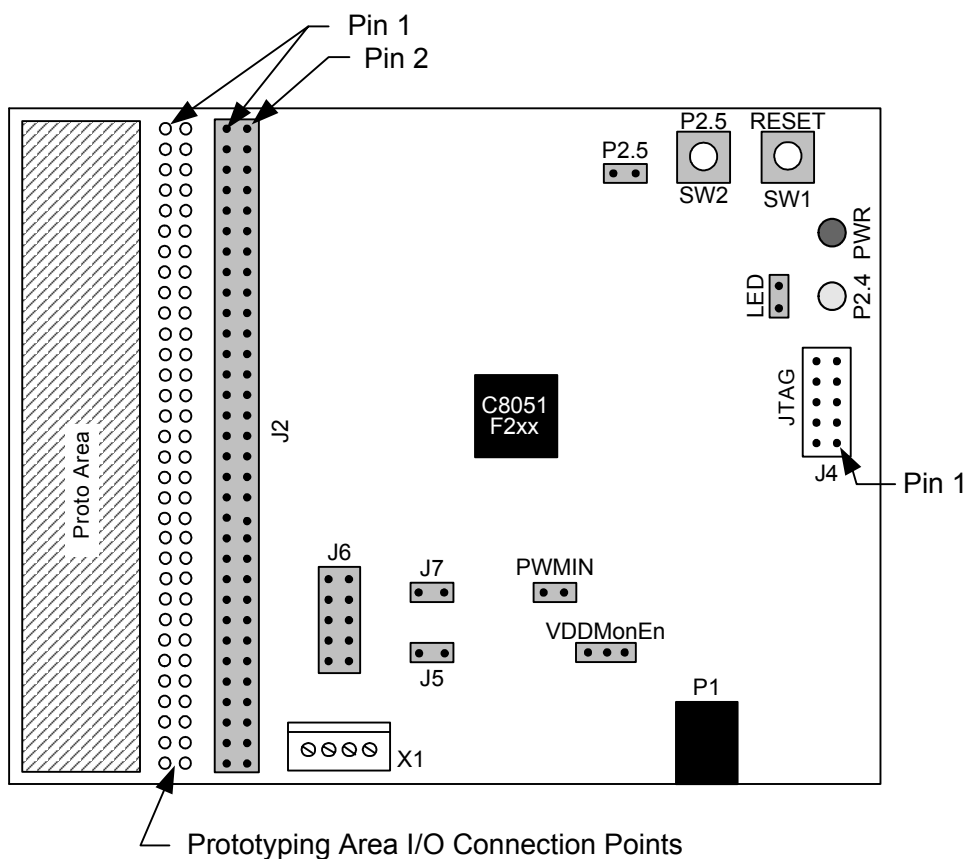


Figure 2. C8051F206 and C8051F226 Target Boards

C8051F2xx-DK

6.1. System Clock Sources

The C8051F2xx device installed on the target board features a internal oscillator which is enabled as the system clock source on reset. After reset, the internal oscillator operates at a frequency of 2MHz (+/-2%) by default but may be configured by software to operate at other frequencies. Therefore, in many applications an external oscillator is not required. However, an external crystal may be installed on the target board for additional applications. The target board is designed to facilitate the installation of an external crystal at the pads marked Q1. Refer to the C8051F2xx datasheet for more information on configuring the system clock source. Following are a few part numbers of suitable crystals:

Freq(MHz)	Digikey P/N	ECS P/N	
22.1184	X063-ND	ECS-221-20-1	(20 pF loading capacitance)
18.432	X146-ND	ECS-184-20-1	(20 pF loading capacitance)
11.0592	X089-ND	ECS-110.5-20-1	(20 pF loading capacitance)

6.2. Switches and LEDs

Two switches are provided on the target board. Switch SW1 is connected to the RESET pin of the C8051F2xx device on the target board. Pressing SW1 puts the device into its hardware-reset state. The device will leave the reset state after SW1 is released. Switch SW2 is connected to the device's general purpose I/O (GPIO) pin through jumpers. Pressing SW2 generates a logic low signal on the port pin. Remove the shorting block from the jumper to disconnect SW2 from the port pins. The port pin signal is also routed to a pin on the J2 I/O connector. See Table 1 for the port pins and jumpers corresponding to each switch.

Two LEDs are also provided on the target board. The red LED labeled PWR is used to indicate a power connection to the target board. The green LED labeled with a port pin name is connected to the device's GPIO pin through jumpers. Remove the shorting block from the jumper to disconnect the LED from the port pin. The port pin signal is also routed to a pin on the J2 I/O connector. See Table 1 for the port pins and jumpers corresponding to each LED.

Table 1. Target Board I/O Descriptions

Description	I/O	Jumper
SW1	Reset	none
SW2	P2.5	P2.5
Green LED	P2.4	LED
Red LED	PWR	none

6.3. Target Board JTAG Interface (J4)

The JTAG connector (J4) provides access to the JTAG pins of the C8051F2xx device on the target board. It is used to connect the Serial Adapter to the target board for in-circuit debugging and Flash programming. Table 2 shows the JTAG pin definitions.

Table 2. JTAG Connector Pin Descriptions

Pin #	Description
1	+3VD (+3.3VDC)
2, 3, 9	GND (Ground)
4	TCK
5	TMS
6	TDO
7	TDI
8, 10	Not Connected

6.4. Analog I/O (J5, J6, J7, Terminal Block)

An Analog I/O Configuration Jumper (J6) provides the ability to route analog I/O signals from the C8051F2xx to a terminal block in addition to connector J2 by installing shorting blocks on J6. Additionally, if shorting blocks are installed on J5 and J7, the analog signals routed through J6 can be inputs to the C8051F2xx at port pins P3.0 and/or P3.1. The port pins can then be configured as inputs to the on-chip ADC for evaluation. J6 also allows the user to route analog signals from the terminal block to port pins P1.3 and P1.4. These port pin can then be configured as inputs to Comparator 1. The PWM signal from the low-pass filter is also routed to J6 to provide a user controlled analog voltage level. This signal can then be used to evaluate the on-chip ADC by placing a shorting block on J6 (provided the J5 or J7 jumper is shorted). Refer to Figure 3 to determine the shorting block installation positions required to create the desired analog signal paths. Refer to Table 3 for terminal block connections and Table 4 for J6 pin definitions.

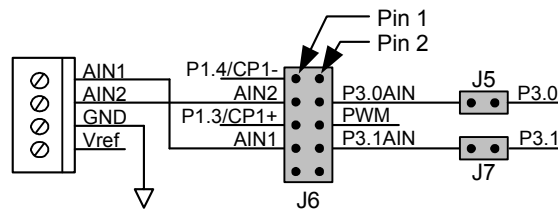


Figure 3. J6 Analog I/O Configuration Connector

Table 3. Terminal Block Pin Descriptions

Pin #	Description
1	VREF
2	GND
7	AIN2
8	AIN1

Table 4. J6 Jumper Block Pin Descriptions

Pin #	Description
1	P1.4/CP1-
2, 9, 10	NC
3	AIN2
4	P3.0AIN
5	P1.3/CP1+
6	PWM
7	AIN1
8	P3.1AIN

6.5. VDD Monitor Disable Jumper (J1)

The VDD Monitor of the C8051F2xx may be disabled by moving the shorting block on J1 from pins 1-2 to pins 2-3, as shown in Figure 4.

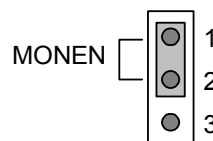


Figure 4. VDD Monitor Hardware Setup

C8051F2xx-DK

6.6. Low-pass Filter (PWMIN)

The C8051F2xx target board features a low-pass filter that may be connected to port pin P2.7. Install a shorting block on connector “PWMIN” to connect the P2.7 pin of the target device to the low-pass filter input. The output of the low-pass filter is routed to the PWM signal at J6[6]. To route the PWM signal to the ADC on the target device, a jumper should be placed on “PWMIN”, and a jumper placed on connector “P3.0AIN” (J5) or “P3.1AIN” (J7). Connector J6 is used to connect the PWM voltage to the P3.0AIN or P3.1AIN signal routed to the corresponding port pins (See Figure 3). These port pins are then configured for use by the ADC.

The C8051F2xx may be programmed to generate a PWM (Pulse-Width Modulated) waveform which is then input to the low-pass filter to implement a user-controlled PWM digital-to-analog converter. Refer to Applications Note **AN110 - Implementing 16-Bit PWM Using an On-Chip Timer** in the “Documentation” directory on the CD-ROM for a discussion on generating a programmable DC voltage level with a PWM waveform and low-pass filter.

6.7. Expansion I/O Connector (J2)

The target board provides access to all C8051F2xx signals (except the four JTAG signals: TCK, TMS, TDO and TDI used to connect the Emulation Cartridge – these are accessed using test points in place near the J4 header) via the 64-pin connector J2. A small through-hole prototyping area is also provided. All I/O signals routed to connector J2 are also routed to through-hole connection points between J2 and the prototyping area (see Figure 2). The signal layout pattern of these connection points is identical to the adjacent J2 connector pins. Table 5 shows the pin-out of the J2 connector.

Table 5. J2 Pin Descriptions

Pin	Description
1,46,64	+3 VD2 (voltage supply)
2	XTAL1
3	P1.6
4	P1.7
5	P1.4
6	P1.5
7	P1.2
8	P1.3
9	P1.0
10	P1.1
11	P0.6
12	P0.7
13	P0.4
14	P0.5
15	P0.2
16	P0.3
17	P0.0
18	P0.1
19	P2.6
20	P2.7

Pin	Description
21	P2.4
22	P2.5
23	P2.2
24	P2.3
25	P2.0
26	P2.1
27	P3.6
28	P3.7
29	P3.4
30	P3.5
31	P3.2
32	P3.3
33	P3.0
34	P3.1
36	/RST
39,41,42,45,47,63	GND
48,50	PWM (pulse-width modulator)
53	VREF
62	VDDMONEN

7. Serial Adapter

The Serial Adapter provides the interface between the PC's RS232 serial port and the C8051F2xx's in-system debug/programming circuitry. The Serial Adapter connects to the C8051F2xx JTAG debug interface on the target board using the 10-pin connector on the Serial Adapter labeled "JTAG", see Figure 5. (The Serial Adapter supports both Silicon Laboratories JTAG and C2 debug interfaces.). All Serial Adapters may be powered from the target board, but the EC1 and EC2 Serial Adapter units cannot provide power to the target board. Table 6 shows the pin definitions for the Serial Adapter's JTAG connector.

Notes:

1. When powering the Serial Adapter via the JTAG connector, the input voltage to the JTAG connector's power pin must be 3.0 to 3.6 VDC. Otherwise, the Serial Adapter must be powered directly by connecting the AC/DC adapter to the Serial Adapter's DC power jack.
2. The Serial Adapter requires a target system clock of 32Khz or greater.

Table 6. JTAG/DEBUG Connector Pin Descriptions

Pin #	Description
1	3.0 to 3.6 VDC Input
2	GND (Ground)
4	TCK (C2DAT)
5	TMS
6	TDO
7	TDI (C2CLK)
3,8,9,10	Not Connected

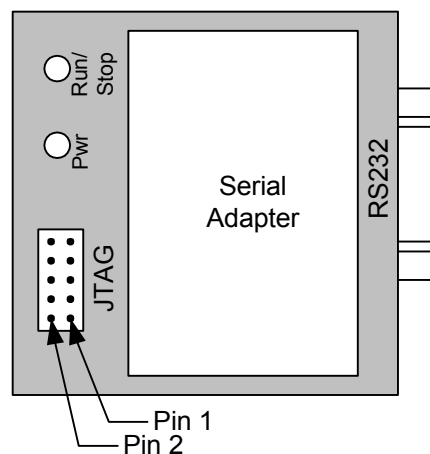


Figure 5. Serial Adapter JTAG Connector

C8051F2xx-DK

8. Schematic

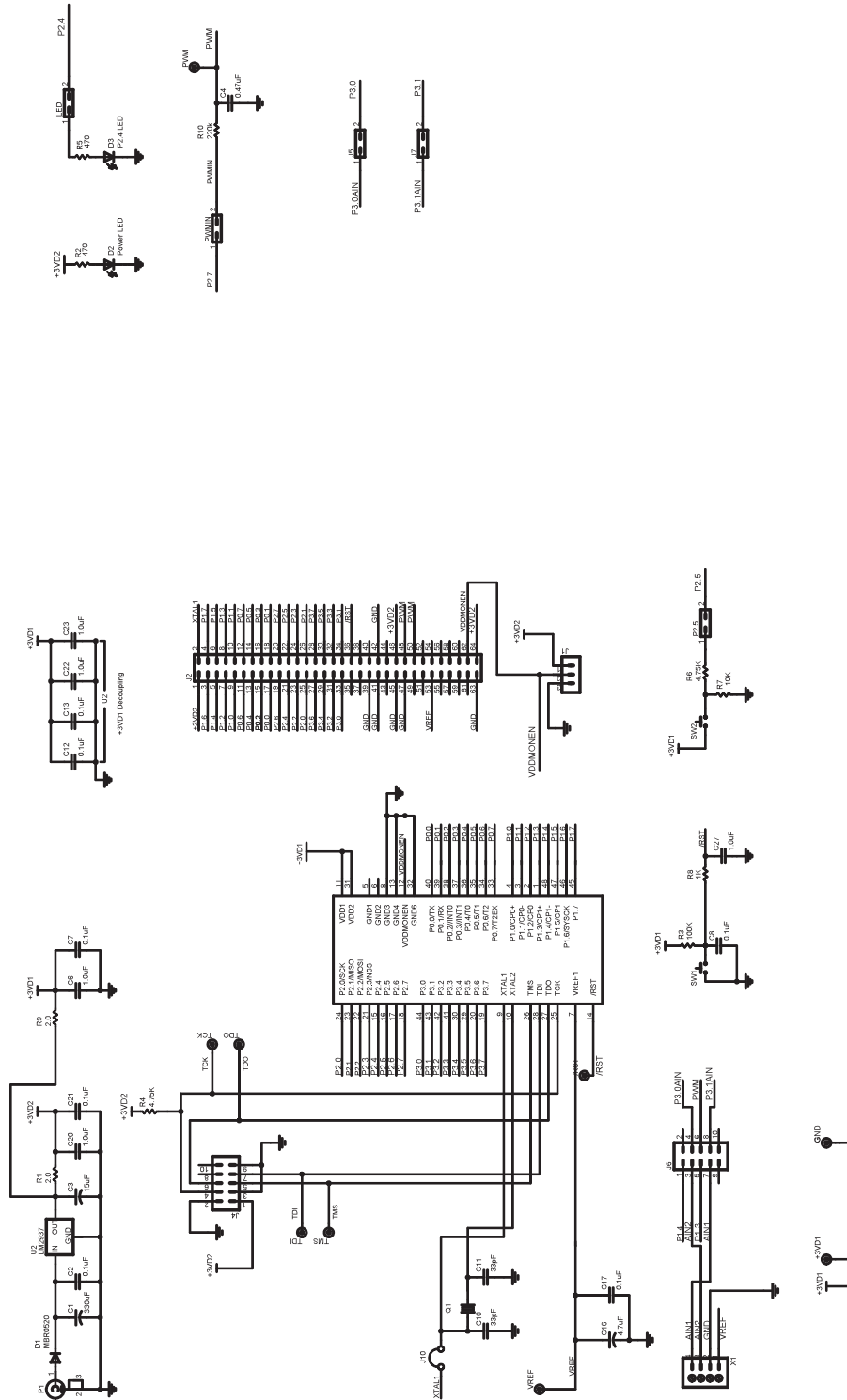


Figure 6. C8051F206/226 Target Board Schematic

DOCUMENT CHANGE LIST

Revision 0.3 to Revision 0.4

- Integrated the Note! on the front page into the “6. Target Board” section.
- moved “2. Hardware Setup” to front page.
- Created section 5 from the "Example Source code" section 4.5.
- Added Section 5.2, "Blinking LED Example".
- Reorganized “6. Target Board” section.
- Added Section “6.3. Target Board JTAG Interface (J4)” .
- Added Table 3, “Terminal Block Pin Descriptions,” on page 7.



CONTACT INFORMATION

Silicon Laboratories Inc.
4635 Boston Lane
Austin, TX 78735
Tel: 1+(512) 416-8500
Fax: 1+(512) 416-9669
Toll Free: 1+(877) 444-3032
Email: productinfo@silabs.com
Internet: www.silabs.com

The information in this document is believed to be accurate in all respects at the time of publication but is subject to change without notice. Silicon Laboratories assumes no responsibility for errors and omissions, and disclaims responsibility for any consequences resulting from the use of information included herein. Additionally, Silicon Laboratories assumes no responsibility for the functioning of undescribed features or parameters. Silicon Laboratories reserves the right to make changes without further notice. Silicon Laboratories makes no warranty, representation or guarantee regarding the suitability of its products for any particular purpose, nor does Silicon Laboratories assume any liability arising out of the application or use of any product or circuit, and specifically disclaims any and all liability, including without limitation consequential or incidental damages. Silicon Laboratories products are not designed, intended, or authorized for use in applications intended to support or sustain life, or for any other application in which the failure of the Silicon Laboratories product could create a situation where personal injury or death may occur. Should Buyer purchase or use Silicon Laboratories products for any such unintended or unauthorized application, Buyer shall indemnify and hold Silicon Laboratories harmless against all claims and damages.

Silicon Laboratories and Silicon Labs are trademarks of Silicon Laboratories Inc.

Other products or brandnames mentioned herein are trademarks or registered trademarks of their respective holders.