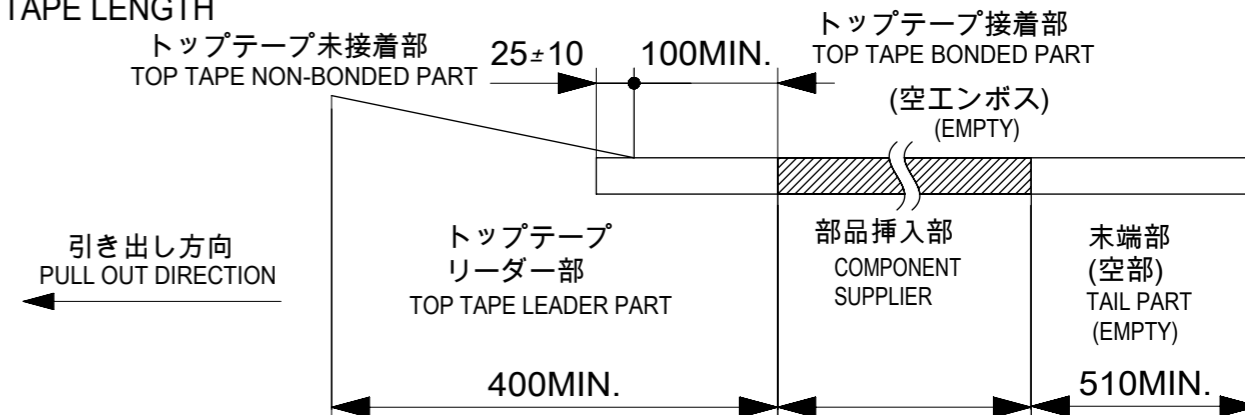


NOTES

- 梱包数量 : 2000個 / リール
NUMBER OF CONNECTORS : 2000 PCS/REEL
- リードテープ長さ
LEAD TAPE LENGTH

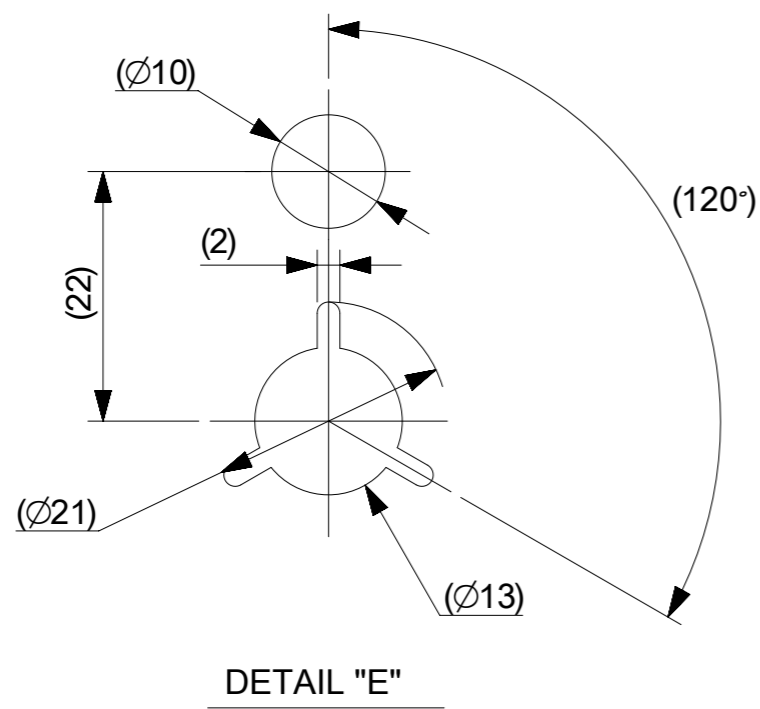
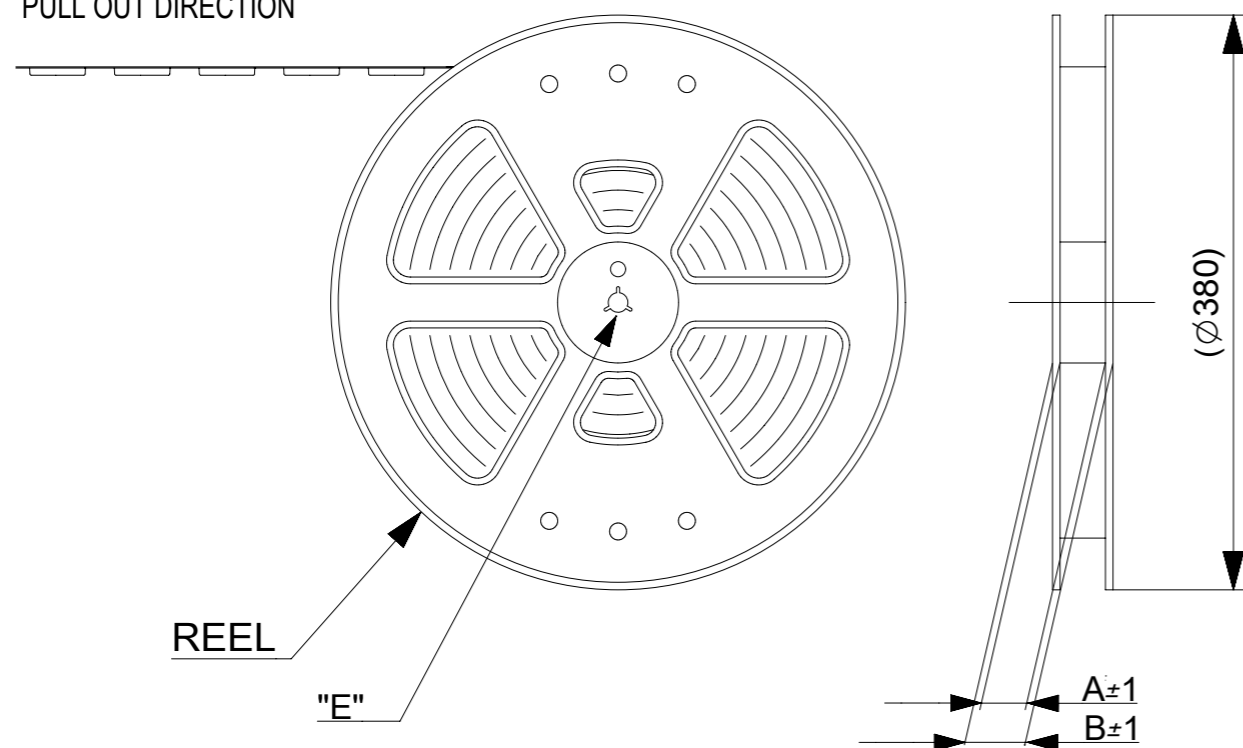


- トッptapeの剥離強度については、IEC60286-3に準拠。
TOP TAPE PEEL FORCE IS DEFINED BY IEC60286-3.
 - 製品詳細寸法については、図面781271002をご参照ください。
REFER TO THE 781271002 ABOUT DIMENSIONS IN DETAIL.
 - 材料
キャリアテープ : ポリスチレン(PS)
トッptape : PET, OTHER
リール : ポリスチレン(PS)(リサイクル材を含む)
- MATERIAL
CARRIER TAPE : POLYSTYRENE(PS)
TOP TAPE : PET, OTHER
REEL : POLYSTYRENE(PS) (RECYCLE MATERIAL CONTAINED)
- 環境負荷物質の管理のため「化学物質ガイドライン」の内容を満足すること。
"CHEMICAL SUBSTANCES GUIDELINE" SHALL BE APPLIED FOR MANAGEMENT OF ENVIRONMENTAL HAZARDOUS MATERIALS.

CONNECTOR SERIES NO. 78127**25

THIS DRAWING CONTAINS INFORMATION THAT IS PROPRIETARY TO MOLEX ELECTRONIC TECHNOLOGIES, LLC AND SHOULD NOT BE USED WITHOUT WRITTEN PERMISSION										
EC NO: 107065 DRWN: NASANUMA CHK'D: YKOBAYASHI02 APPR: KMORIKAWA	GENERAL TOLERANCES (UNLESS SPECIFIED)				DIMENSION UNITS	SCALE	molex			
	ANGULAR TOL ± 1.0 °				MM	≠±				
	4 PLACES	± 0.1	DRWN BY		DATE		0.5 FPC CONN. N-ZIF ST AU EMBS TP PKG			
	3 PLACES	± 0.1	NASANUMA		2016/04/04					
	2 PLACES	± 0.1	CHK'D BY		DATE					
	1 PLACE	± 0.1	YKOBAYASHI02		2016/08/01		PRODUCT CUSTOMER DRAWING			
0 PLACES	± 0.1	APPR BY		DATE						
DRAFT WHERE APPLICABLE MUST REMAIN WITHIN DIMENSIONS				DRAWING SIZE		THIRD ANGLE PROJECTION		SERIES	MATERIAL NUMBER	CUSTOMER
				A3				78127		
DOCUMENT NUMBER								DOC TYPE	DOC PART	SHEET NUMBER
781270002								PSD	000	1 OF 3

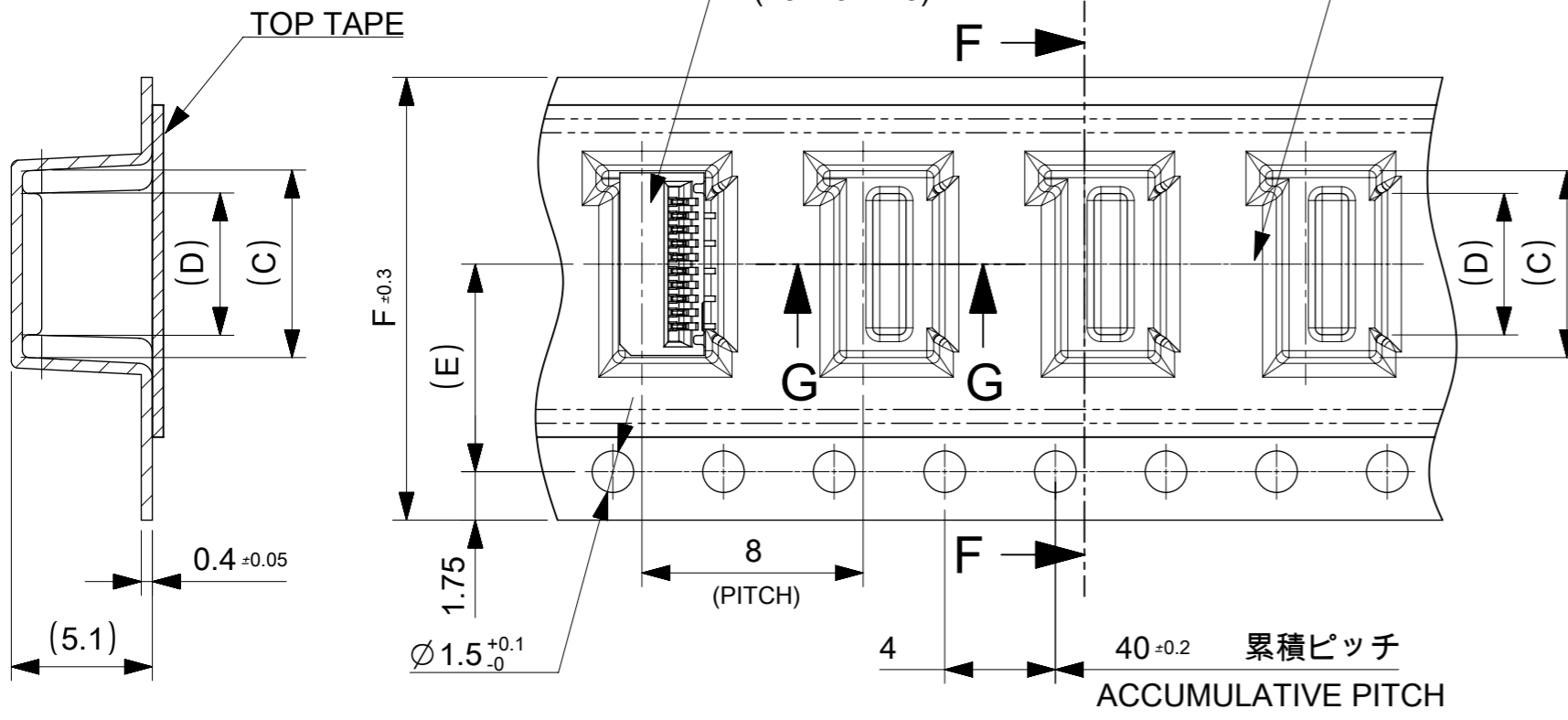
引き出し方向
PULL OUT DIRECTION



引き出し方向
PULL OUT DIRECTION

CONNECTOR
(78119-**15)

ポケット中心
POCKET OF CENTER



F TAPE WIDTH	E	D	C	B	A	EMBOSSED PACKAGE オーダー番号 ORDER NO	CIRCUIT
24	11.5	29.4	25.4	14.1	15.8	781272820	28
				13.6	15.3	781272720	27
				13.1	14.8	781272620	26
				12.6	14.3	781272520	25
				12.1	13.8	781272420	24
				11.6	13.3	781272320	23
				11.1	12.8	781272220	22
				10.6	12.3	781272120	21
				10.1	11.8	781272020	20
				9.6	11.3	781271920	19
				9.1	10.8	781271820	18
				8.6	10.3	781271720	17
8.1	9.8	781271620	16				
7.6	9.3	781271520	15				
16	7.5	21.4	17.4	7.1	8.8	781271420	14
				6.6	8.3	781271320	13
				6.1	7.8	781271220	12
				5.6	7.3	781271120	11
				5.1	6.8	781271020	10
				4.6	6.3	781270920	9
				4.1	5.8	781270820	8
				3.6	5.3	781270720	7
3.1	4.8	781270620	6				

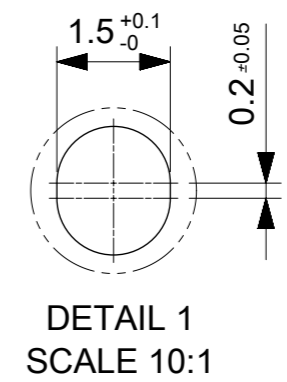
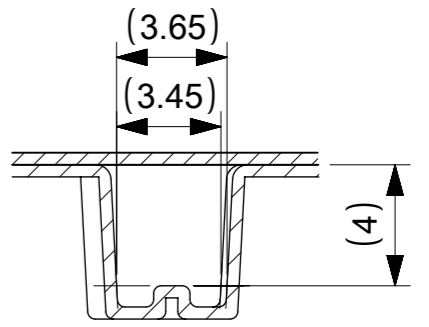
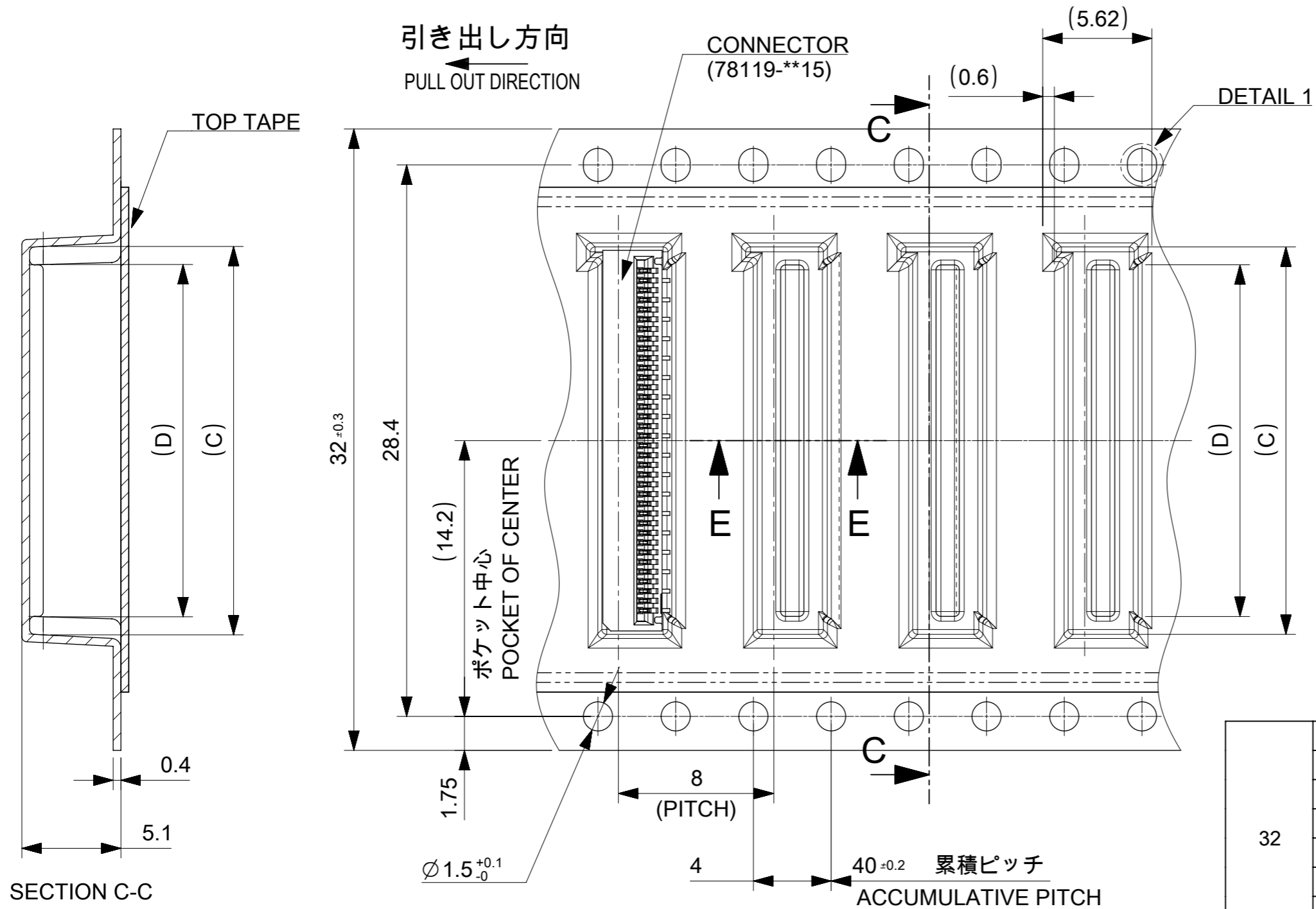
CONNECTOR SERIES NO. 78127**25

16mm, 24mm幅キャリアテープ

16mm, 24mm WIDTH CARRIER TAPE

THIS DRAWING CONTAINS INFORMATION THAT IS PROPRIETARY TO MOLEX ELECTRONIC TECHNOLOGIES, LLC AND SHOULD NOT BE USED WITHOUT WRITTEN PERMISSION

EC NO: 107065 DRWN: NASANUMA CHK'D: YKOBAYASHI02 APPR: KMORIKAWA	2016/04/04	GENERAL TOLERANCES (UNLESS SPECIFIED)	DIMENSION UNITS	SCALE		
	2016/08/01	ANGULAR TOL ± 1.0 °	MM	4:1		
	2016/08/02	4 PLACES ± 0.1	DRWN BY	DATE		0.5 FPC CONN. N-ZIF ST AU EMBS TP PKG
		3 PLACES ± 0.1	NASANUMA	2016/04/04		
		2 PLACES ± 0.1	CHK'D BY	DATE		
	1 PLACE ± 0.1	YKOBAYASHI02	2016/08/01			
	0 PLACES ± 0.1	APPR BY	DATE	PRODUCT CUSTOMER DRAWING		
		DRAFT WHERE APPLICABLE MUST REMAIN WITHIN DIMENSIONS	DRAWING SIZE	THIRD ANGLE PROJECTION	SERIES: 78127 MATERIAL NUMBER: [blank] CUSTOMER: [blank]	
			A3		DOCUMENT NUMBER: 781270002 DOC TYPE: PSD DOC PART: 000 SHEET NUMBER: 2 OF 3	



32	18.1	19.8	37.4	33.4	781273620	36
	17.6	19.3			781273520	35
	17.1	18.8			781273420	34
	16.6	18.3			781273320	33
	16.1	17.8			781273220	32
	15.6	17.3			781273120	31
	15.1	16.8			781273020	30
	14.6	16.3			781272920	29
TAPE WIDTH	D	C	B	A	EMBOSSED PACKAGE オーダー番号 ORDER NO	CIRCUIT

CONNECTOR SERIES NO. 78127**25

32mm幅キャリアテープ

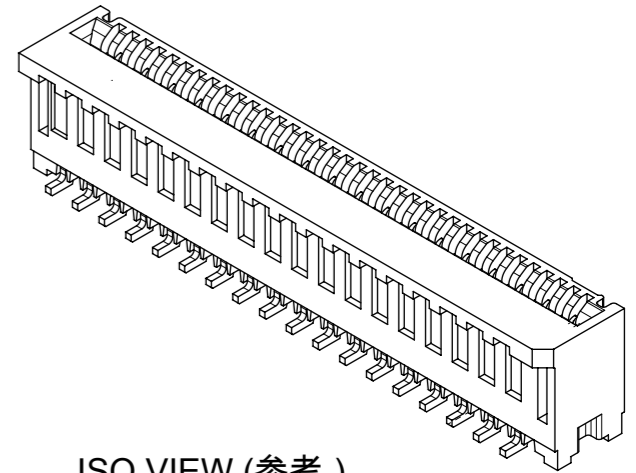
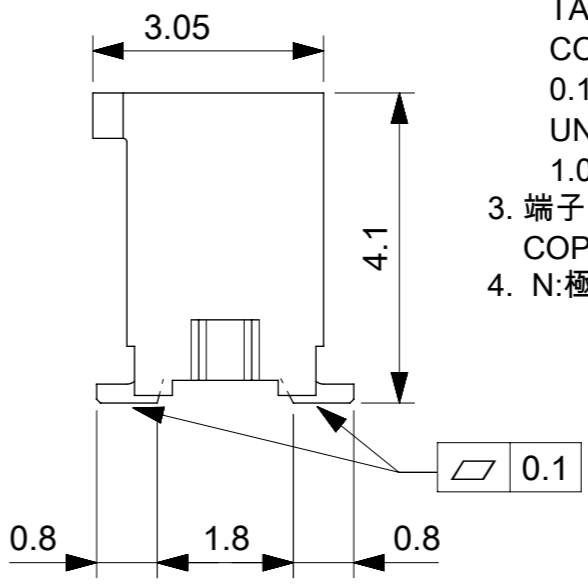
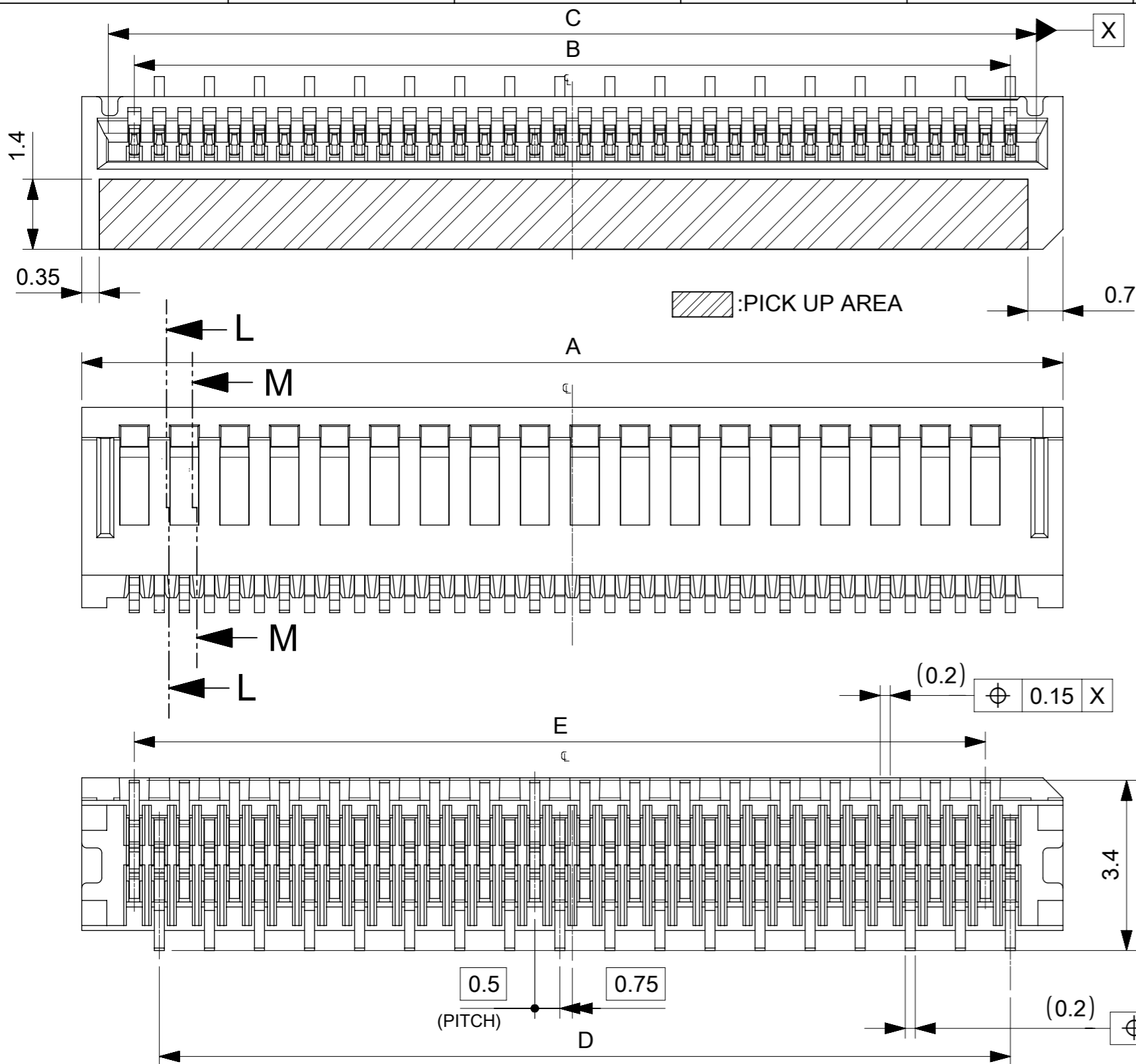
32mm WIDTH CARRIER TAPE

THIS DRAWING CONTAINS INFORMATION THAT IS PROPRIETARY TO MOLEX ELECTRONIC TECHNOLOGIES, LLC AND SHOULD NOT BE USED WITHOUT WRITTEN PERMISSION

EC NO: 107065 DRWN: NASANUMA CHK'D: YKOBAYASHI02 APPR: KMORIKAWA	2016/04/04	2016/08/01	2016/08/02	GENERAL TOLERANCES (UNLESS SPECIFIED) ANGULAR TOL ± 1.0 ° 4 PLACES ± 0.1 3 PLACES ± 0.1 2 PLACES ± 0.1 1 PLACE ± 0.1 0 PLACES ± 0.1 DRAFT WHERE APPLICABLE MUST REMAIN WITHIN DIMENSIONS	DIMENSION UNITS	SCALE	
	MM		4:1				
	DRWN BY	DATE			0.5 FPC CONN. N-ZIF ST AU EMBS TP PKG		
	NASANUMA	2016/04/04					
	CHK'D BY	DATE			PRODUCT CUSTOMER DRAWING		
YKOBAYASHI02	2016/08/01						
APPR BY	DATE		SERIES	MATERIAL NUMBER	CUSTOMER		
KMORIKAWA	2016/08/02		78127				
DRAWING SIZE	THIRD ANGLE PROJECTION		DOCUMENT NUMBER	DOC TYPE	DOC PART	SHEET NUMBER	
A3			781270002	PSD	000	3 OF 3	

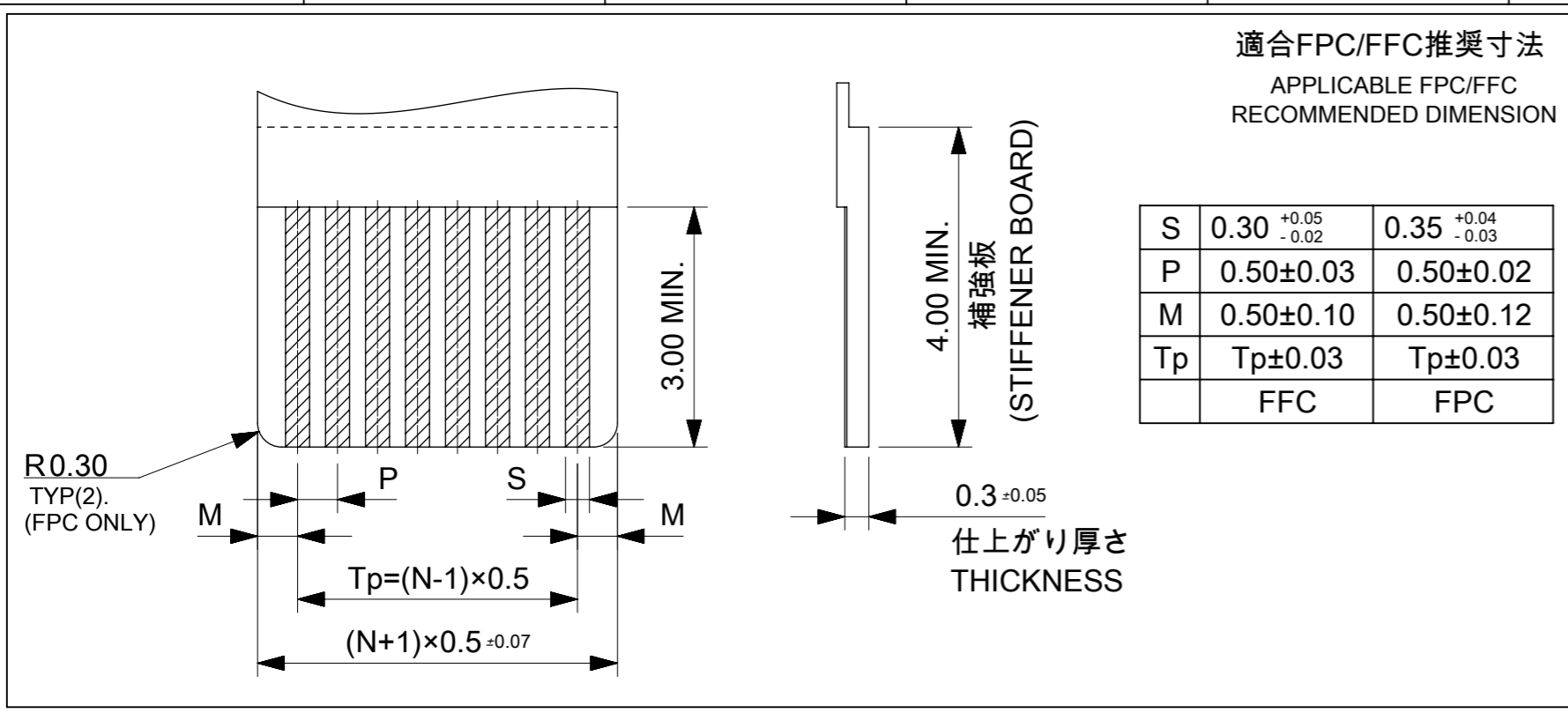
NOTES

1. 使用材料 MATERIALS
 ハウジング : 液晶ポリマー (LCP)
 ガラス充填、UL94V-0(黒色)
 端子 : リン青銅 t=0.2mm
 HOUSING : LIQUID CRYSTAL POLYMAER (LCP)
 GLASS FILLED, UL94V-0, BLACK
 TERMINAL: PHOSPHOR BRONZE t=0.2mm
2. メッキ仕様 PLATING
 端子 TERMINAL
 テール部 : 金メッキ
 接点部 : 金メッキ 0.1μm以上
 下地 : ニッケルメッキ 1.0μm以上
 TAIL AREA : Gold PLATING
 CONTACT AREA: Gold PLATING
 0.1MICRO METER MINIMUM
 UNDER PLATING: Nickel PLATING
 1.0 MICROMETER MINIMUM
3. 端子の平坦度はテール部にて0.1mm以下とする。
 COPLANALITY OF SOLDER TAILS: 0.1mmMAX.
4. N: 極数 N: CIRCUIT



CONNECTOR SERIES NO. 78127**25

THIS DRAWING CONTAINS INFORMATION THAT IS PROPRIETARY TO MOLEX ELECTRONIC TECHNOLOGIES, LLC AND SHOULD NOT BE USED WITHOUT WRITTEN PERMISSION			
EC NO: 107065	DRWN: NASANUMA	CHK'D: YKOBAYASHI02	APPR: KMORIKAWA
2016/04/05	2016/08/01	2016/08/02	
GENERAL TOLERANCES (UNLESS SPECIFIED)		DIMENSION UNITS	SCALE
ANGULAR TOL ± 1.0 °		MM	10:1
4 PLACES ± 0.1	3 PLACES ± 0.1	DRWN BY	DATE
2 PLACES ± 0.1	1 PLACE ± 0.1	NASANUMA	2016/04/05
0 PLACES ± 0.1		CHK'D BY	DATE
		YKOBAYASHI02	2016/08/01
DRAFT WHERE APPLICABLE MUST REMAIN WITHIN DIMENSIONS		APPR BY	DATE
		KMORIKAWA	2016/08/02
		DRAWING SIZE	THIRD ANGLE PROJECTION
		A3	
		PRODUCT CUSTOMER DRAWING	
		SERIES	MATERIAL NUMBER
		78127	
		CUSTOMER	
		DOCUMENT NUMBER	DOC TYPE
		781271002	PSD
		DOC PART	SHEET NUMBER
		000	1 OF 3



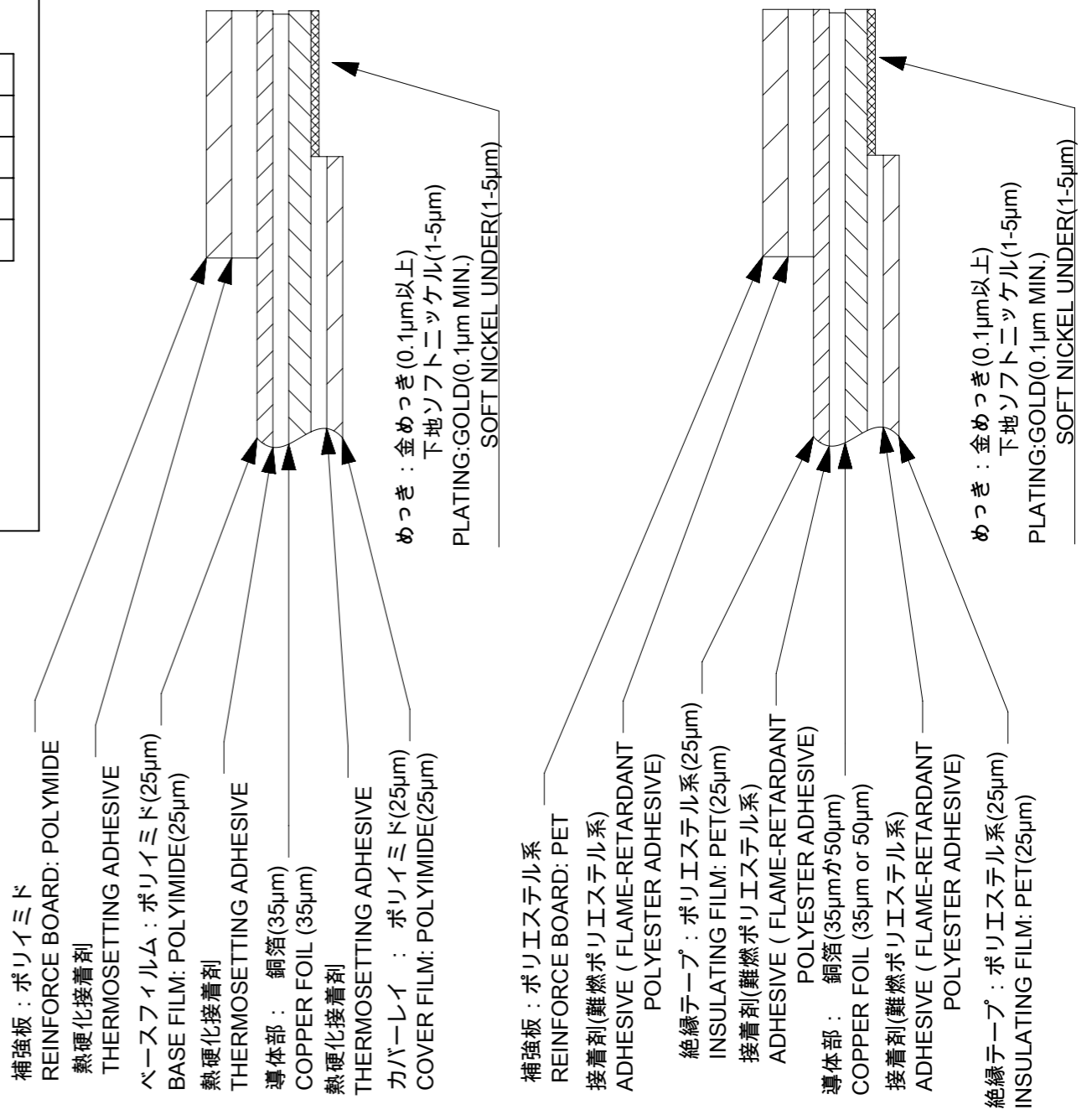
ELV & RoHS COMPLIANT

FPC/FFCについて
打抜き方向は導体側から補強版側を推奨します。
導体部については軟箔銅35μmまたは、50μmを推奨いたします。
接着剤の接点部への付着は導通不良の原因になりますので、染み出し無きことを推奨いたします。
FPC/FFCに規定された定格温度が、FPC/FFC単体前提である場合が御座います。
コネクタと組み合わせての実使用において、接着層が劣化する等の信頼性を満足できないケースを回避する為、
実機での評価 / 確認をお願い致します。

ABOUT FPC/FFC
RECOMMENDED PUNCHING DIRECTION: FROM CONDUCTOR SIDE TO STIFFENER SIDE.
RECOMMENDED CONDUCTOR SPEC: SOFT COPPER FOIL.
RECOMMENDED CONDUCTOR THICKNESS: 35 MICROMETER OR 50 MICROMETER.
RECOMMENDED PUT APPROPRIATE AMOUNT OF ADHESIVE ON ADHEREND BECAUSE THERE IS
A POSSIBILITY THAT EXTRA ADHESIVE CAUSES THE DEFECT IN ELECTRICAL CONTINUITY.
THE HEAT RESISTANCE OF FPC/FFC IS ONLY FPC/FFC SPEC.
TO PREVENT THE CASE THAT RELIABILITY CANNOT BE SATISFIED (THE ADHESIVE IS
DETERIORATED etc.) PLEASE DO THE EVALUATION AND THE CONFIRMATION
WITH ACTUAL CONNECTOR.

FPCについて
補強フィルム材は、ポリイミドを推奨します。ベースフィルムは25μmを推奨します。
接着剤は熱硬化接着剤を推奨します。

ABOUT FPC
RECOMMENDED STIFFENER MATERIAL: POLYIMIDE.
RECOMMENDED BASE FILM THICKNESS: 25 MICROMETER.
RECOMMENDED ADHESIVE: THERMOSETTING ADHESIVE.



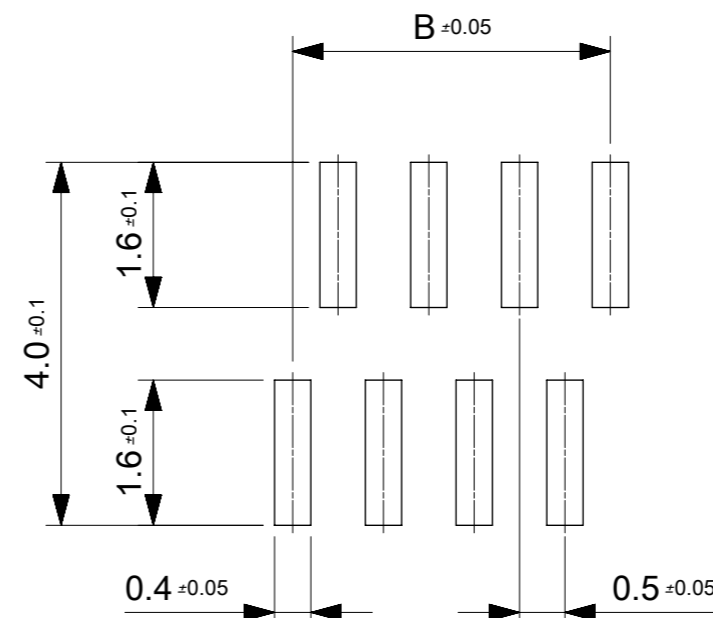
FPC構成推奨仕様
STRUCTURE OF FPC

FFC構成推奨仕様
STRUCTURE OF FFC

THIS DRAWING CONTAINS INFORMATION THAT IS PROPRIETARY TO MOLEX ELECTRONIC TECHNOLOGIES, LLC AND SHOULD NOT BE USED WITHOUT WRITTEN PERMISSION

EC NO: 107065 DRWN: NASANUMA CHK'D: YKOBAYASHI02 APPR: KMORIKAWA	2016/04/05	2016/08/01	2016/08/02	GENERAL TOLERANCES (UNLESS SPECIFIED)	DIMENSION UNITS	SCALE	molex®				
					MM	12:1					
	4 PLACES	± 0.1			DRWN BY	DATE		0.5 PITCH NON-ZIF CONN. SMT ST ASSY AG			
	3 PLACES	± 0.1			NASANUMA	2016/04/05					
2 PLACES	± 0.1		CHK'D BY	DATE							
1 PLACE	± 0.1		YKOBAYASHI02	2016/08/01	PRODUCT CUSTOMER DRAWING	SERIES	MATERIAL NUMBER	CUSTOMER			
0 PLACES	± 0.1		APPR BY	DATE	78127						
			KMORIKAWA	2016/08/02	DRAFT WHERE APPLICABLE MUST REMAIN WITHIN DIMENSIONS	DRAWING SIZE	THIRD ANGLE PROJECTION	DOCUMENT NUMBER	DOC TYPE	DOC PART	SHEET NUMBER
A	REV				A3			781271002	PSD	000	2 OF 3

17	17	18.6	17.5	19.6	781273620	36
16	17	18.1	17	19.1	781273520	35
16	16	17.6	16.5	18.6	781273420	34
15	16	17.1	16	18.1	781273320	33
15	15	16.6	15.5	17.6	781273220	32
14	15	16.1	15	17.1	781273120	31
14	14	15.6	14.5	16.6	781273020	30
13	14	15.1	14	16.1	781272920	29
13	13	14.6	13.5	15.6	781272820	28
12	13	14.1	13	15.1	781272720	27
12	12	13.6	12.5	14.6	781272620	26
11	12	13.1	12	14.1	781272520	25
11	11	12.6	11.5	13.6	781272420	24
10	11	12.1	11	13.1	781272320	23
10	10	11.6	10.5	12.6	781272220	22
9	10	11.1	10	12.1	781272120	21
9	9	10.6	9.5	11.6	781272020	20
8	9	10.1	9	11.1	781271920	19
8	8	9.6	8.5	10.6	781271820	18
7	8	9.1	8	10.1	781271720	17
7	7	8.6	7.5	9.6	781271620	16
6	7	8.1	7	9.1	781271520	15
6	6	7.6	6.5	8.6	781271420	14
5	6	7.1	6	8.1	781271320	13
5	5	6.6	5.5	7.6	781271220	12
4	5	6.1	5	7.1	781271120	11
4	4	5.6	4.5	6.6	781271020	10
3	4	5.1	4	6.1	781270920	9
3	3	4.6	3.5	5.6	781270820	8
2	3	4.1	3	5.1	781270720	7
2	2	3.6	2.5	4.6	781270620	6
E	D	C	B	A	EMBOSSED PACKAGE オーダー番号 ORDER NO.	CIRCUIT



推奨基板レイアウト
RECOMMENDED PCB LAYOUT

参考マスク厚:100μm
参考開口率:100%
REFERENCE SCREEN THICKNESS:100
REFERENCE SCREEN OPEN RATIO:100%

CONNECTOR SERIES NO. 78127**25

THIS DRAWING CONTAINS INFORMATION THAT IS PROPRIETARY TO MOLEX ELECTRONIC TECHNOLOGIES, LLC AND SHOULD NOT BE USED WITHOUT WRITTEN PERMISSION										
EC NO: 107065 DRWN: NASANUMA CHK'D: YKOBAYASHI02 APPR: KMORIKAWA	2016/04/05		2016/08/01		2016/08/02		GENERAL TOLERANCES (UNLESS SPECIFIED)		DIMENSION UNITS: MM SCALE: 12:1	
	4 PLACES		± 0.1		3 PLACES		± 0.1		DRWN BY: NASANUMA DATE: 2016/04/05	
	3 PLACES		± 0.1		2 PLACES		± 0.1		CHK'D BY: YKOBAYASHI02 DATE: 2016/08/01	
	2 PLACES		± 0.1		1 PLACE		± 0.1		APPR BY: KMORIKAWA DATE: 2016/08/02	
	1 PLACE		± 0.1		0 PLACES		± 0.1		DRAWING SIZE: A3 THIRD ANGLE PROJECTION	
DRAFT WHERE APPLICABLE MUST REMAIN WITHIN DIMENSIONS										
PRODUCT CUSTOMER DRAWING SERIES: 78127 MATERIAL NUMBER: 781271002 CUSTOMER:			0.5 PITCH NON-ZIF CONN. SMT ST ASSY AG			molex®				
DOCUMENT NUMBER: 781271002		DOC TYPE: PSD		DOC PART: 000		SHEET NUMBER: 3 OF 3				