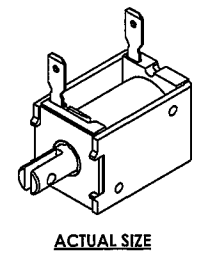
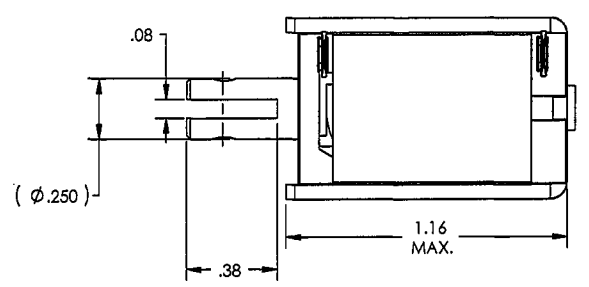
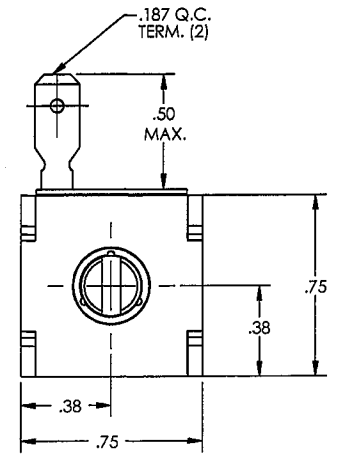
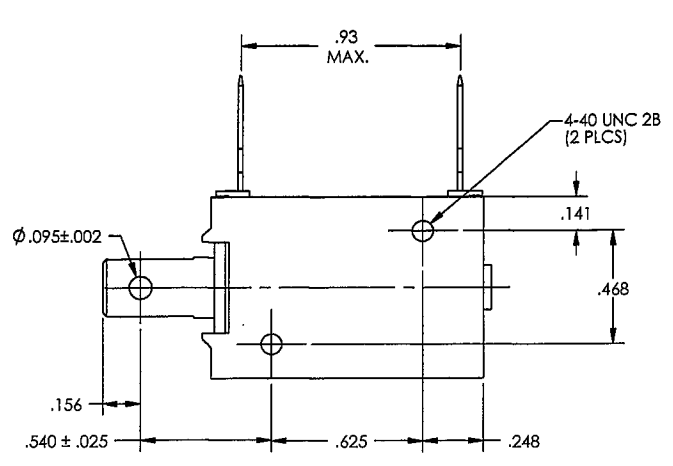




| REVISIONS | | | | | |
|-----------|-----|--------|------------------------|---------|------|
| REV | BY | ECN | DESCRIPTION | DATE | APPD |
| A | RCH | 04-018 | RELEASE FOR PRODUCTION | 8/20/04 | RCH |
| B | RCH | 05-032 | 135.0 WAS 144.0 | 3/09/06 | RCH |
| C | RCH | 15-002 | ADD F0415A AND F0416A | 1/29/15 | RCH |

| PART NO. | DESCRIPTION | OHMS ± 10% @ 25°C | DIGI-KEY NO. |
|----------|--------------|----------------------|--------------|
| F0411A | L-22PL012D-C | 36.0 | 527-1000-ND |
| F0412A | L-22PL012D-I | 16.9 | 527-1001-ND |
| F0413A | L-22PL024D-C | 135.0 | 527-1002-ND |
| F0414A | L-22PL024D-I | 68.0 | 527-1003-ND |
| F0415A | L-22PL012D-P | 3.6 | TBD |
| F0416A | L-22PL024D-P | 14.0 | TBD |



LABEL INFO:
 PONTIAC COIL, INC.
(PART NO.) (DATECODE)
(DESCRIPTION)

| | | | |
|---|--|--|---------------------------|
| UNLESS OTHERWISE SPECIFIED ALL DIMENSIONS ARE IN INCHES DIMENSIONS IN [] ARE MILLIMETERS | MATL: SEE BOM PRINTS |  PONTIAC COIL, INC. | |
| TOLERANCES: X(D) ± .1 XX (E) ± .01 XXX (B) ± .005 XXXX (A) ± .0005 FRACTIONS ± 1/32 ANGLES IN DEGREE ± 2° | FINISH PLATING: SEE BOM PRINTS | TITLE: CUSTOMER DRAWING L22 | |
| DO NOT SCALE DRAWING | INDY ASSY: THIS DOCUMENT IS THE PROPERTY OF PONTIAC COIL, INC. AND ALL CONTENTS ARE PROPRIETARY | FILE NAME: CD-F041XA.SLDDRW | SIZE: B DWG NO: CD-F041XA |
| | ANSI Y14.5M-1992 | CUSTOMER: DIGI-KEY | CUSTOMER P/N: |
| | | SCALE: 2=1 | AMCODE: SHEET 1 OF 1 |
| | FULL FILE NAME: E:\DWG\SPCS\CD-F041XA.SLDDRW | | |