

1

2

3

4

5

6

A

A

B

B

C

C

D

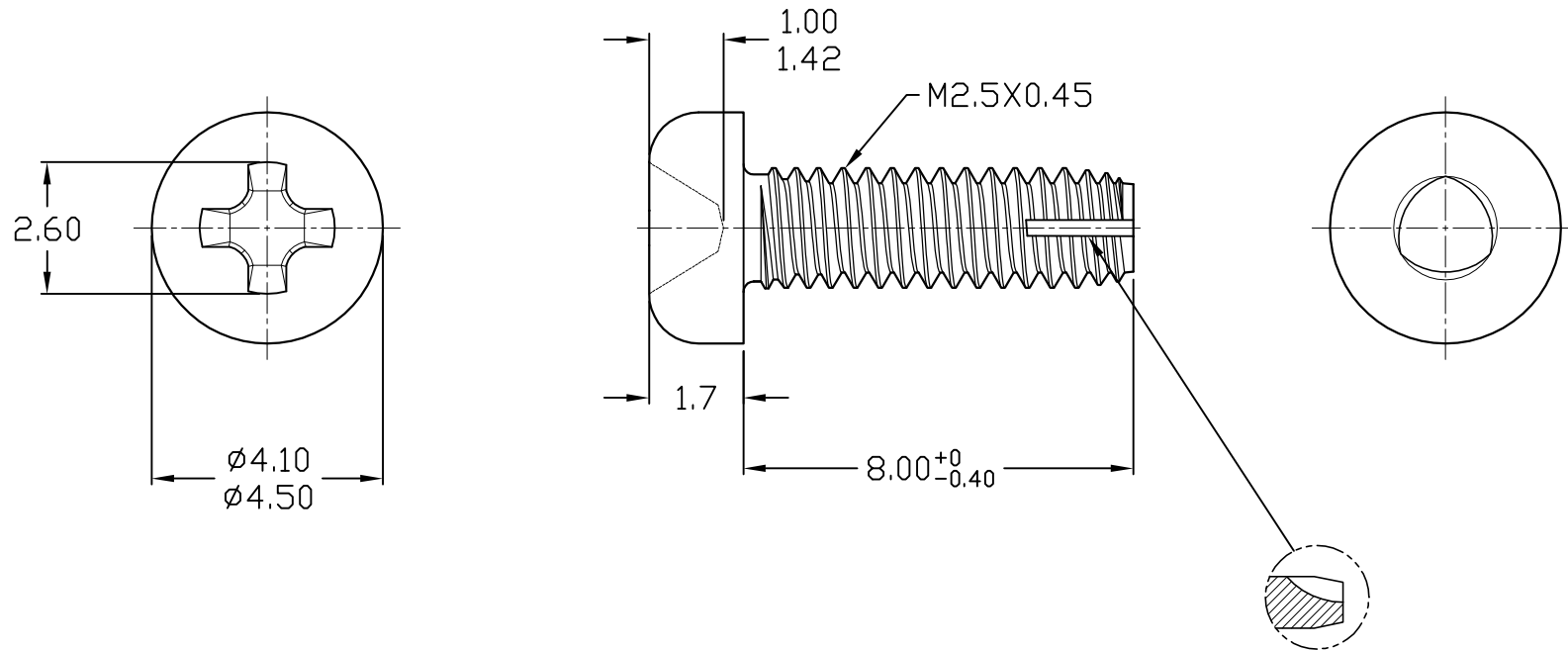
D

E

E

F

F



52500005-732	BLACK FINISH
52500005-731	NICKEL PLATE
P/N	FINISH

1.MATERIAL: CARBON STEEL C1018A.

UNLESS OTHERWISE SPECIFIED TOLERANCE TO BE		THIS DOCUMENT IS THE PROPERTY OF AMPHENOL AUSTRALIA PTY. LTD.. NO PART THEREOF MAY BE REPRODUCED AND USED WITHOUT THE PRIOR WRITTEN CONSENT OF THE OWNER			0	FIRST ISSUE	A.O	02/05/08	----
LINEAR	ANGULAR	CAD FILE: 52500005731110	DRN:	A.O	DATE: 02/05/08	TITLE:	SCREW M2.5	Amphenol	
X ± 0.50	X' ± 1"	MATL:	REFER TO NOTE	CKD:	T.N	DATE: 02/05/08	B SERIES CONNECTOR	Amphenol Australia Pty Ltd, 2 Finneys Blvd, Keysborough, Vic 3173	
X.X ± 0.20	X'X' ± 30'	DO NOT SCALE	FINISH:	REFER TO TABLE	APP'D:	P.M	DATE: 02/05/08	DRAWING NO.	SHEET
X.XX ± 0.05	X'X'X' ± 15'	DIMENSIONS IN MILLIMETRES		THIRD ANGLE PROJECTION	SCALE: 1:1 UOS	PART No: 52500005-73*	SIZE: A4	52500005-731-1	1 OF 1

1

2

3

4

5

6