

IS31AP2010F

2.8W@5.0V MONO FILTER-LESS CLASS-D AUDIO POWER AMPLIFIER

February 2014

GENERAL DESCRIPTION

The IS31AP2010F is a high efficiency, 2.8W@5.0V mono filter-less Class-D audio power amplifier. A low noise, filter-less PWM architecture eliminates the output filter, reduces external component count, system cost, and simplifying design.

Operating in a single 5.0V supply, IS31AP2010F is capable of driving 4Ω speaker load at a continuous average output of 2.8W@10% THD+N. The IS31AP2010F has high efficiency with speaker load compared to a typical Class- AB amplifier.

In cellular handsets, the earpiece, speaker phone, and melody ringer speaker can each be driven by the IS31AP2010F. The gain of IS31AP2010F is externally configurable which allows independent gain control from multiple sources by summing signals from each function.

IS31AP2010F is available in UTQFN-9 packages. It operates from 2.7V to 5.5V over the temperature range of -40°C to +85°C.

FEATURES

- 5.0V supply at THD+N = 10%
—2.8W into 4Ω (Typ.)
—1.75W into 8Ω (Typ.)
- Efficiency at 5.0V
—85% at 400mW with a 4Ω speaker
—88% at 400mW with a 8Ω speaker
- Less than 1μA shutdown current
- Optimized PWM output stage eliminates LC output filter
- Fully differential design reduces RF rectification and eliminates bypass capacitor
- Improved CMRR eliminates two input coupling capacitors
- Integrated click-and-pop suppression circuitry
- UTQFN-9 package
- RoHS compliant and 100% lead(Pb)-free

APPLICATIONS

- Wireless or cellular handsets and PDAs
- Portable DVD player
- Notebook PC
- Portable radio
- Educational toys
- Portable gaming

TYPICAL APPLICATION CIRCUIT

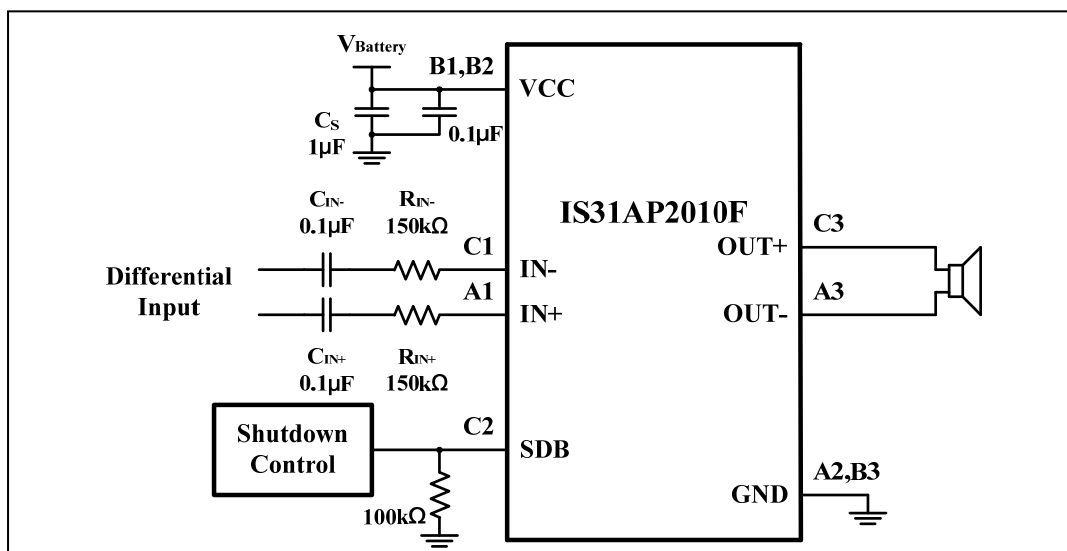


Figure 1 Typical Application Circuit (Differential Input)

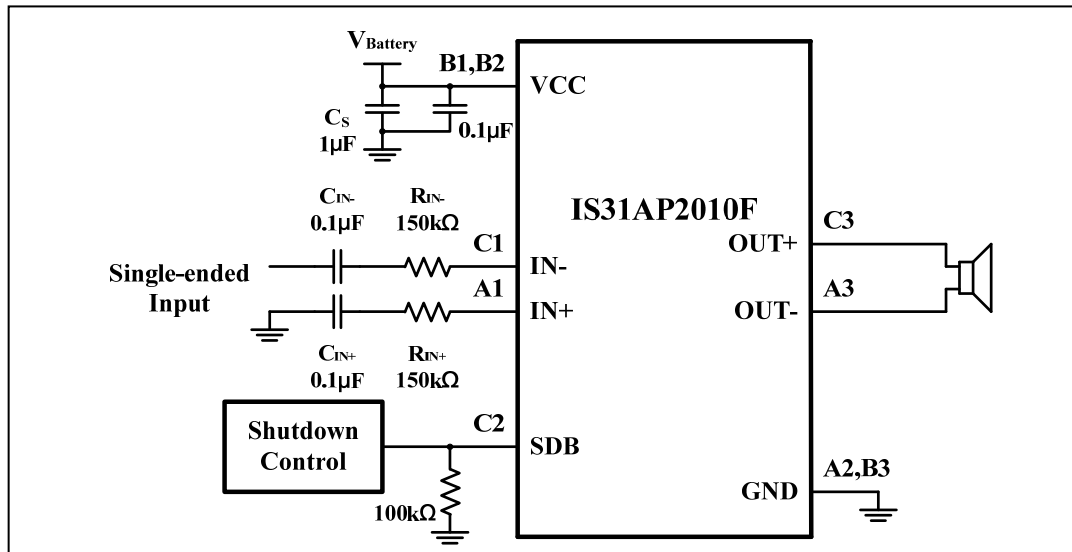
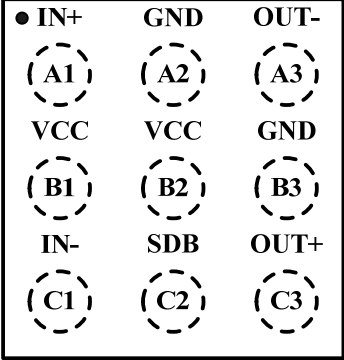


Figure 2 Typical Application Circuit (Single-ended Input)

IS31AP2010F

PIN CONFIGURATION

Package	Pin Configuration (Top View)
UTQFN-9	

PIN DESCRIPTION

No.	Pin	Description
A1	IN+	Positive audio input.
A2, B3	GND	Connect to ground.
A3	OUT-	Negative audio output.
B1, B2	VCC	Power supply.
C1	IN-	Negative audio input.
C2	SDB	Enter in shutdown mode when active low.
C3	OUT+	Positive audio output.



IS31AP2010F

ORDERING INFORMATION

Industrial Range: -40°C to +85°C

Order Part No.	Package	QTY/Reel
IS31AP2010F-UTLS2-TR	UTQFN-9, Lead-free	3000

Copyright © 2014 Integrated Silicon Solution, Inc. All rights reserved. ISSI reserves the right to make changes to this specification and its products at any time without notice. ISSI assumes no liability arising out of the application or use of any information, products or services described herein. Customers are advised to obtain the latest version of this device specification before relying on any published information and before placing orders for products. Integrated Silicon Solution, Inc. does not recommend the use of any of its products in life support applications where the failure or malfunction of the product can reasonably be expected to cause failure of the life support system or to significantly affect its safety or effectiveness. Products are not authorized for use in such applications unless Integrated Silicon Solution, Inc. receives written assurance to its satisfaction, that:

- a.) the risk of injury or damage has been minimized;
- b.) the user assume all such risks; and
- c.) potential liability of Integrated Silicon Solution, Inc is adequately protected under the circumstances

IS31AP2010F

ABSOLUTE MAXIMUM RATINGS

Supply voltage, V_{CC}	-0.3V ~ +6.0V
Voltage at any input pin	-0.3V ~ $V_{CC}+0.3V$
Junction temperature, T_{JMAX}	150°C
Operating temperature, T_A	-40°C ~ +85°C
Storage temperature range, T_{STG}	-65°C ~ +150°C
ESD (HBM)	7kV
ESD (CDM)	500V

Note:

Stresses beyond those listed under "Absolute Maximum Ratings" may cause permanent damage to the device. These are stress ratings only and functional operation of the device at these or any other condition beyond those indicated in the operational sections of the specifications is not implied. Exposure to absolute maximum rating conditions for extended periods may affect device reliability.

ELECTRICAL CHARACTERISTICS

$V_{CC} = 2.7V \sim 5.5V$, $T_A = 25^\circ C$, unless otherwise noted.

Symbol	Parameter	Condition	Min.	Typ.	Max.	Unit
V_{CC}	Supply voltage		2.7		5.5	V
$ V_{OS} $	Output offset voltage (measured differentially)	$V_{SDB} = 0V$, $A_V = 2V/V$		10		mV
I_{CC}	Quiescent current	$V_{CC} = 5.5V$, no load		2.6		mA
		$V_{CC} = 2.7V$, no load		1.2		
I_{SD}	Shutdown current	$V_{SDB} = 0.4V$			1	μA
f_{SW}	Switching frequency			250		kHz
Gain	Audio gain			$2 \times \frac{150k\Omega}{R_{IN}}$		V/V
V_{IH}	High-level input voltage		1.4			V
V_{IL}	Low-level input voltage				0.4	V

IS31AP2010F

ELECTRICAL CHARACTERISTICS (NOTE 1)

$T_A = 25^\circ\text{C}$, Gain = 2V/V, $C_{IN} = 2\mu\text{F}$, unless otherwise noted.

Symbol	Parameter	Condition	Min.	Typ.	Max.	Unit
P_O	Output power	THD+N = 10% f = 1kHz $R_L = 8\Omega + 33\mu\text{H}$	$V_{CC} = 3.6\text{V}$		0.85	W
			$V_{CC} = 4.2\text{V}$		1.25	
			$V_{CC} = 5.0\text{V}$		1.75	
		THD+N = 1% f = 1kHz $R_L = 8\Omega + 33\mu\text{H}$	$V_{CC} = 3.6\text{V}$		0.7	W
			$V_{CC} = 4.2\text{V}$		0.97	
			$V_{CC} = 5.0\text{V}$		1.5	
		THD+N = 10% f = 1kHz $R_L = 4\Omega + 33\mu\text{H}$	$V_{CC} = 3.6\text{V}$		1.5	W
			$V_{CC} = 4.2\text{V}$		2.0	
			$V_{CC} = 5.0\text{V}$		2.8	
		THD+N = 1% f = 1kHz $R_L = 4\Omega + 33\mu\text{H}$	$V_{CC} = 3.6\text{V}$		1.2	W
			$V_{CC} = 4.2\text{V}$		1.6	
			$V_{CC} = 5.0\text{V}$		2.3	
THD+N	Total harmonic distortion plus noise	$V_{CC} = 3.6\text{V}$, $P_O = 0.45\text{W}$, $R_L = 8\Omega + 33\mu\text{H}$, f = 1kHz		0.3		%
			$V_{CC} = 3.6\text{V}$, $P_O = 0.6\text{W}$, $R_L = 4\Omega + 33\mu\text{H}$, f = 1kHz		0.26	
V_{NO}	Output voltage noise	$V_{IN+} = 0\text{V}$		74		μV
t_{WU}	Wake-up time from shutdown			1.2		ms
PSRR	Power supply rejection ratio	f = 217Hz, $R_L = 8\Omega$, Input grounded		-67		dB

Note 1: Guaranteed by design.

TYPICAL PERFORMANCE CHARACTERISTIC

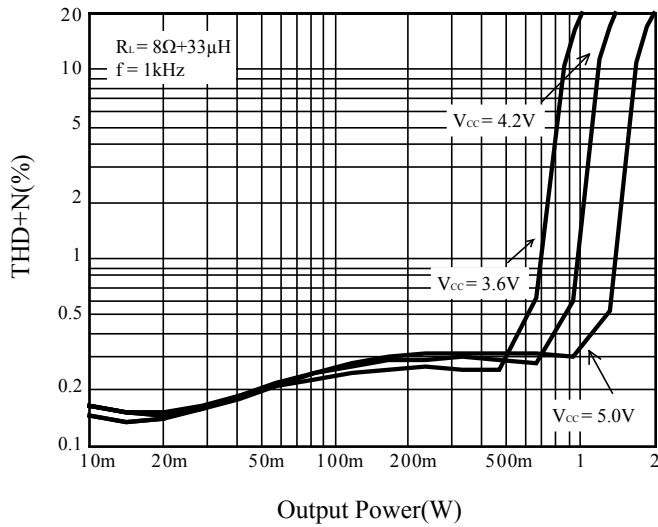


Figure 3 THD+N vs. Output Power

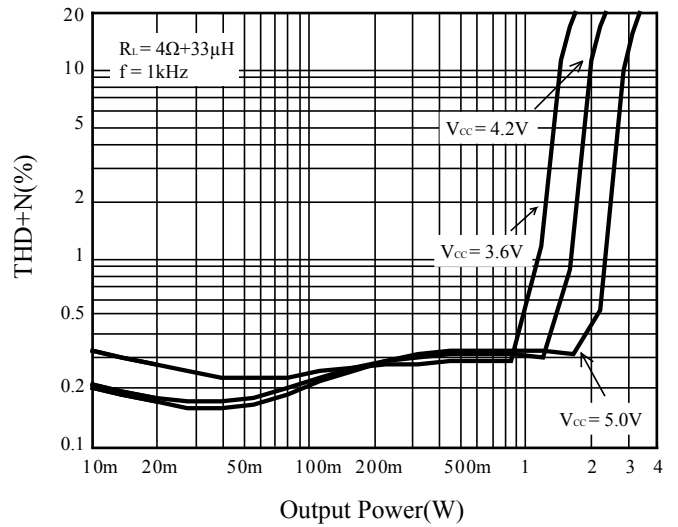


Figure 4 THD+N vs. Output Power

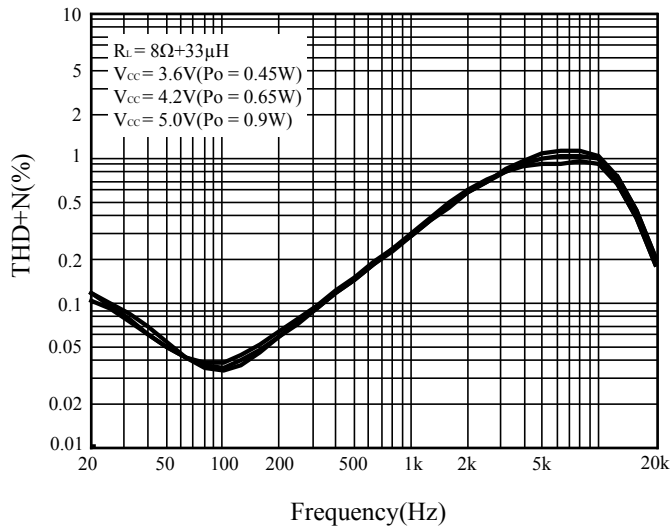


Figure 5 THD+N vs. Frequency

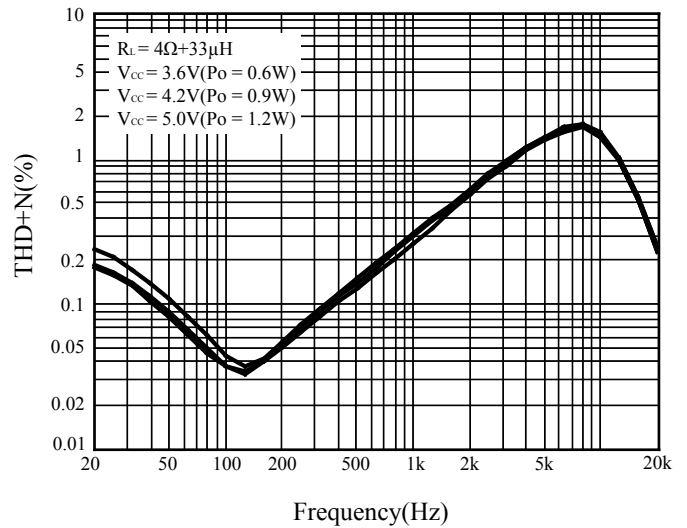


Figure 6 THD+N vs. Frequency

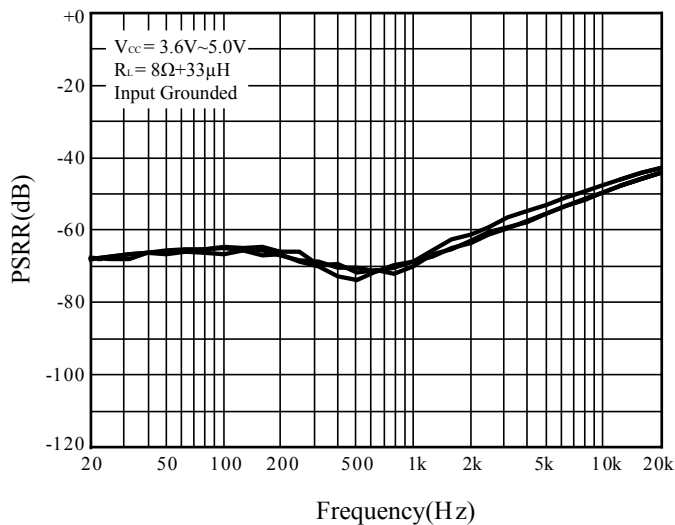


Figure 7 PSRR

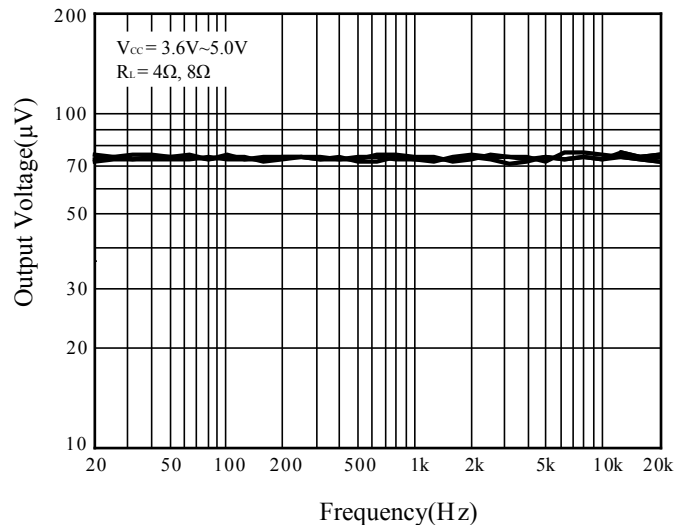
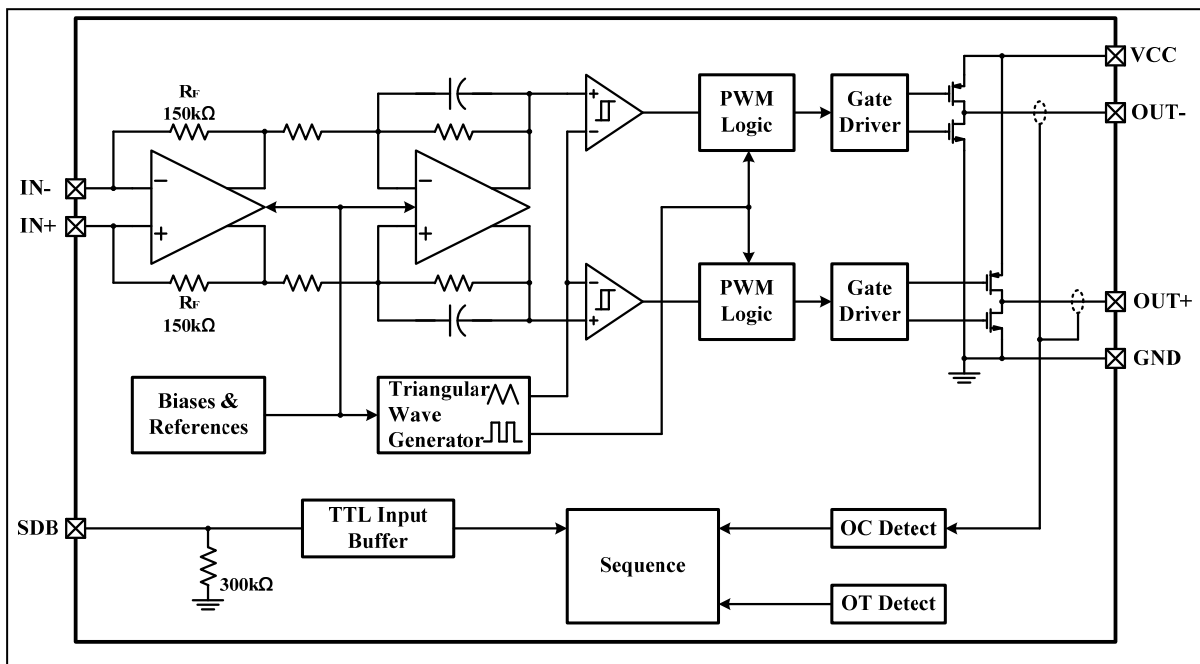


Figure 8 Noise

IS31AP2010F

FUNCTIONAL BLOCK DIAGRAM



IS31AP2010F

APPLICATION INFORMATION

FULLY DIFFERENTIAL AMPLIFIER

The IS31AP2010F is a fully differential amplifier with differential inputs and outputs. The fully differential amplifier consists of a differential amplifier and a common mode amplifier. The differential amplifier ensures that the amplifier outputs a differential voltage on the output that is equal to the differential input times the gain. The common-mode feedback ensures that the common-mode voltage at the output is biased around $V_{CC}/2$ regardless of the common-mode voltage at the input. The fully differential IS31AP2010F can still be used with a single-ended input; however, the IS31AP2010F should be used with differential inputs when in a noisy environment, like a wireless handset, to ensure maximum noise rejection.

ADVANTAGES OF FULLY DIFFERENTIAL AMPLIFIERS

The fully differential amplifier does not require a bypass capacitor. This is because any shift in the mid-supply affects both positive and negative channels equally and cancels at the differential output.

GSM handsets save power by turning on and shutting off the RF transmitter at a rate of 217Hz. The transmitted signal is picked-up on input and output traces. The fully differential amplifier cancels the signal much better than the typical audio amplifier.

COMPONENT SELECTION

Figure 1 shows the IS31AP2010F with differential inputs and input capacitors, and Figure 2 shows the IS31AP2010F with single-ended inputs. Differential inputs should be used whenever possible because the single-ended inputs are much more susceptible to noise.

INPUT RESISTORS (R_{IN})

The input resistors (R_{IN}) set the gain of the amplifier according to Equation (1).

$$Gain = \frac{2 \times R_F}{R_{IN}} \left(\frac{V}{V} \right) \quad (1)$$

Resistor matching is very important in fully differential amplifiers. The balance of the output on the reference voltage depends on matched ratios of the resistors. CMRR, PSRR, and cancellation of the second harmonic distortion diminish if resistor mismatch occurs. Therefore, it is recommended to use 1% tolerance resistors or better to keep the performance optimized. Matching is more important than overall tolerance. Resistor arrays with 1% matching can be used with a tolerance greater than 1%.

Place the input resistors very close to the IS31AP2010F to limit noise injection on the high-impedance nodes.

For optimal performance the gain should be set to 2V/V or lower. Lower gain allows the IS31AP2010F to operate at its best, and keeps a high voltage at the input making the inputs less susceptible to noise.

DECOUPLING CAPACITOR (C_S)

The IS31AP2010F is a high performance class-D audio amplifier that requires adequate power supply decoupling to ensure the efficiency is high and total harmonic distortion (THD) is low. For higher frequency transients, spikes, or digital hash on the line, a good low equivalent-series-resistance (ESR) ceramic capacitor, typically 1 μ F, placed as close as possible to the device VCC lead works best. Placing this decoupling capacitor close to the IS31AP2010F is very important for the efficiency of the class-D amplifier, because any resistance or inductance in the trace between the device and the capacitor can cause a loss in efficiency. For filtering lower frequency noise signals, a 10 μ F or greater capacitor placed near the audio power amplifier would also help, but it is not required in most applications because of the high PSRR of this device.

INPUT CAPACITORS (C_{IN})

The input capacitors and input resistors form a high pass filter with the corner frequency, f_C , determined in Equation (2).

$$f_C = \frac{1}{2\pi R_{IN} C_{IN}} \quad (2)$$

The value of the input capacitor is important to consider as it directly affects the bass (low frequency) performance of the circuit. Speakers in wireless phones cannot usually respond well to low frequencies, so the corner frequency can be set to block low frequencies in this application.

Equation (3) is reconfigured to solve for the input coupling capacitance.

$$C_{IN} = \frac{1}{2\pi R_{IN} f_C} \quad (3)$$

If the corner frequency is within the audio band, the capacitors should have a tolerance of $\pm 10\%$ or better, because any mismatch in capacitance causes an impedance mismatch at the corner frequency and below.

For a flat low frequency response, use large input coupling capacitors (1 μ F). However, in a GSM phone the ground signal is fluctuating at 217Hz, but the signal from the codec does not have the same 217Hz fluctuation. The difference between the two signals is amplified, sent to the speaker, and heard as a 217Hz hum.

IS31AP2010F

SUMMING INPUT SIGNALS

Most wireless phones or PDAs need to sum signals at the audio power amplifier or just have two signal sources that need separate gain. The IS31AP2010F makes it easy to sum signals or use separate signal sources with different gains. Many phones now use the same speaker for the earpiece and ringer, where the wireless phone would require a much lower gain for the phone earpiece than for the ringer. PDAs and phones that have stereo headphones require summing of the right and left channels to output the stereo signal to the mono speaker.

SUMMING TWO DIFFERENTIAL INPUT SIGNALS

Two extra resistors are needed for summing differential signals (a total of 5 components). The gain for each input source can be set independently (see Equations (4) and (5) and Figure 9).

$$Gain1 = \frac{V_O}{V_{I1}} = \frac{2 \times R_F}{R_{IN1}} \left(\frac{V}{V} \right) \quad (4)$$

$$Gain2 = \frac{V_O}{V_{I2}} = \frac{2 \times R_F}{R_{IN2}} \left(\frac{V}{V} \right) \quad (5)$$

If summing left and right inputs with a gain of 1V/V, use $R_{IN1} = R_{IN2} = 300k\Omega$.

If summing a ring tone and a phone signal, set the ring-tone gain to $Gain2 = 2V/V$, and the phone gain to $Gain1 = 0.1V/V$. The resistor values would be

$$R_{IN1} = 3M\Omega, R_{IN2} = 150k\Omega$$

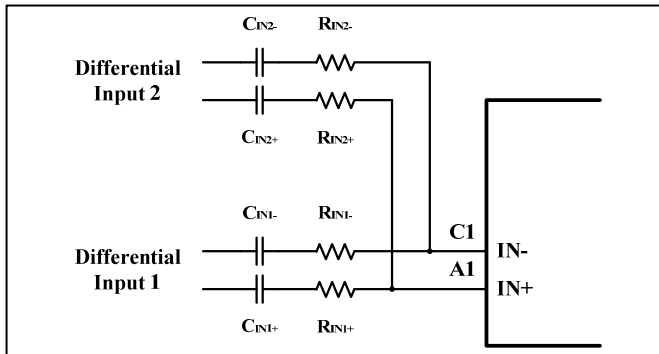


Figure 9 Summing Two Differential Inputs

SUMMING A DIFFERENTIAL INPUT SIGNAL AND A SINGLE-ENDED INPUT SIGNAL

Figure 10 shows how to sum a differential input signal and a single-ended input signal. Ground noise may couple in through IN- with this method. It is better to use differential inputs. The corner frequency of the single-ended input is set by C_{IN2} , shown in Equation (8). To assure that each input is balanced, the single-ended input must be driven by a low-impedance source even if the input is not in use.

$$Gain1 = \frac{V_O}{V_{I1}} = \frac{2 \times R_F}{R_{IN1}} \left(\frac{V}{V} \right) \quad (6)$$

$$Gain2 = \frac{V_O}{V_{I2}} = \frac{2 \times R_F}{R_{IN2}} \left(\frac{V}{V} \right) \quad (7)$$

$$C_{IN2} = \frac{1}{2\pi R_{IN2} f_{C2}} \quad (8)$$

If summing a ring tone and a phone signal, the phone signal should use a differential input signal while the ring tone might be limited to a single-ended signal. The ring-tone gain is set to $Gain1 = 2V/V$, and phone gain is set at $Gain2 = 0.1V/V$, the resistor values would be

$$R_{IN1} = 150k\Omega, R_{IN2} = 3M\Omega$$

The high pass corner frequency of the single-ended input is set by C_{IN1} . If the desired corner frequency is less than 20Hz.

$$C_{IN1} > \frac{1}{2\pi 150k\Omega \times 20Hz} \quad (9)$$

$$C_{IN1} > 53 pF \quad (10)$$

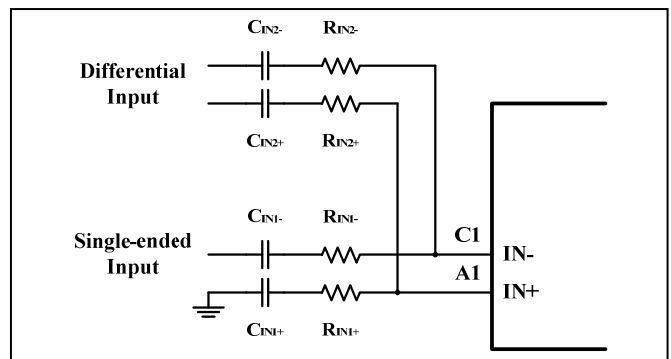


Figure 10 Summing Differential Input and Single-Ended Input Signals

SUMMING TWO SINGLE-ENDED INPUT SIGNALS

The gain and corner frequencies (f_{C1} and f_{C2}) for each input source can be set independently (see Equations (11) through (14) and Figure 11). Resistor, R_P , and capacitor, C_P , are needed on the IN- terminal to match the impedance on the IN+ terminal. The single-ended inputs must be driven by low impedance sources even if one of the inputs is not outputting an ac signal.

$$Gain1 = \frac{V_O}{V_{I1}} = \frac{2 \times R_F}{R_{IN1}} \left(\frac{V}{V} \right) \quad (11)$$

$$Gain2 = \frac{V_O}{V_{I2}} = \frac{2 \times R_F}{R_{IN2}} \left(\frac{V}{V} \right) \quad (12)$$

$$C_{IN1} = \frac{1}{2\pi R_{IN1} f_{C1}} \quad (13)$$

IS31AP2010F

$$C_{IN2} = \frac{1}{2\pi R_{IN2} f_{C2}} \quad (14)$$

$$C_p = C_{IN1} + C_{IN2} \quad (15)$$

$$R_p = \frac{R_{IN1} \times R_{IN2}}{R_{IN1} + R_{IN2}} \quad (16)$$

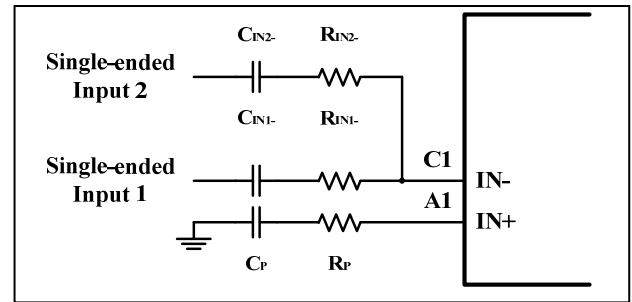


Figure 11 Summing Two Single-Ended Inputs

IS31AP2010F

CLASSIFICATION REFLOW PROFILES

Profile Feature	Pb-Free Assembly
Preheat & Soak Temperature min (T _{smin}) Temperature max (T _{smax}) Time (T _{smin} to T _{smax}) (t _s)	150°C 200°C 60-120 seconds
Average ramp-up rate (T _{smax} to T _p)	3°C/second max.
Liquidous temperature (T _L) Time at liquidous (t _L)	217°C 60-150 seconds
Peak package body temperature (T _p)*	Max 260°C
Time (t _p)** within 5°C of the specified classification temperature (T _c)	Max 30 seconds
Average ramp-down rate (T _p to T _{smax})	6°C/second max.
Time 25°C to peak temperature	8 minutes max.

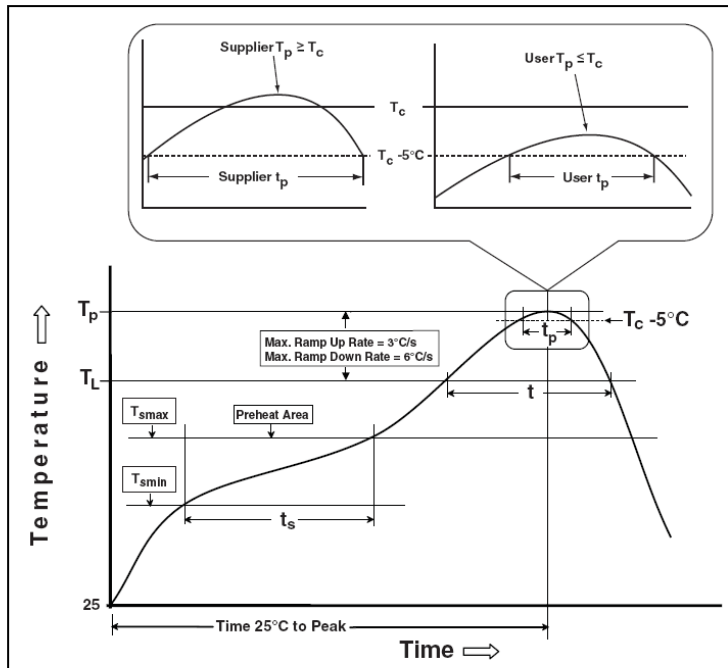
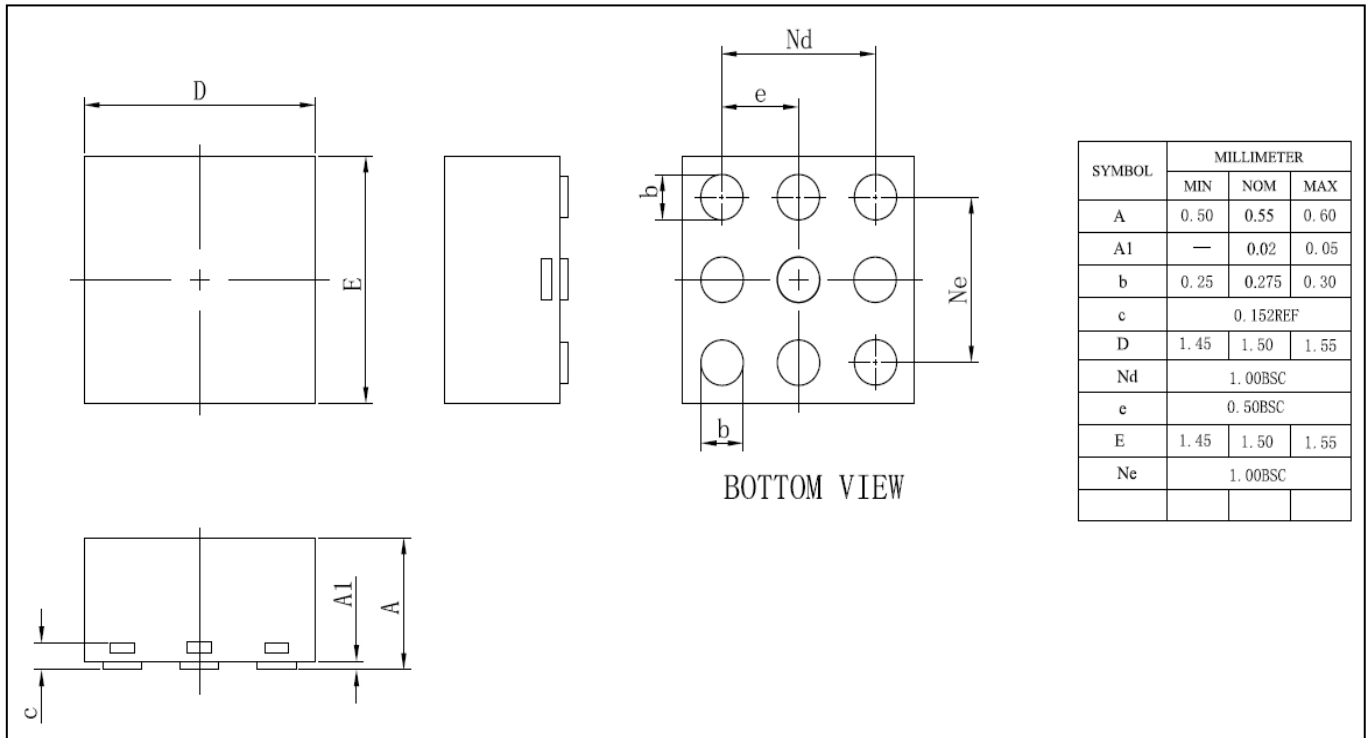


Figure 12 Classification Profile

IS31AP2010F

PACKAGING INFORMATION

UTQFN-9



Note: All dimensions in millimeters unless otherwise stated.