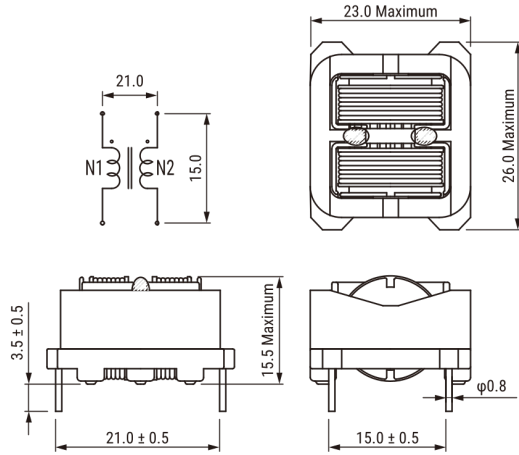


SSHB21HS-R08410

Aliases (UALSB2SR084100)

KEMET, SSHB21HS, AC Line Filters, Dual Mode, 41 mH



Click [here](#) for the 3D model.

Dimensions

L	26mm MAX
T	23mm MAX
H	15.5mm MAX
LL	3.5mm +/-0.5mm
S	21mm +/-0.5mm
S1	15mm NOM
Wire Size	0.3mm

Packaging Specifications

Packaging	Tray
Packaging Quantity	360
Component Weight	14 g

General Information

Series	SSHB21HS
Style	Through-Hole
RoHS	Yes
Notes	Marking: R08 Lot No.
Miscellaneous	Temperature Rise Maximum: 55 K.
Core	Mn-Zn Ferrite

Specifications

Voltage AC	250 VAC, 320 VAC (IEC60664-1)
Inductance	41 mH (10 kHz)
Current	800 mA
Temperature Range	-40/+120°C
DC Resistance	780 mOhms