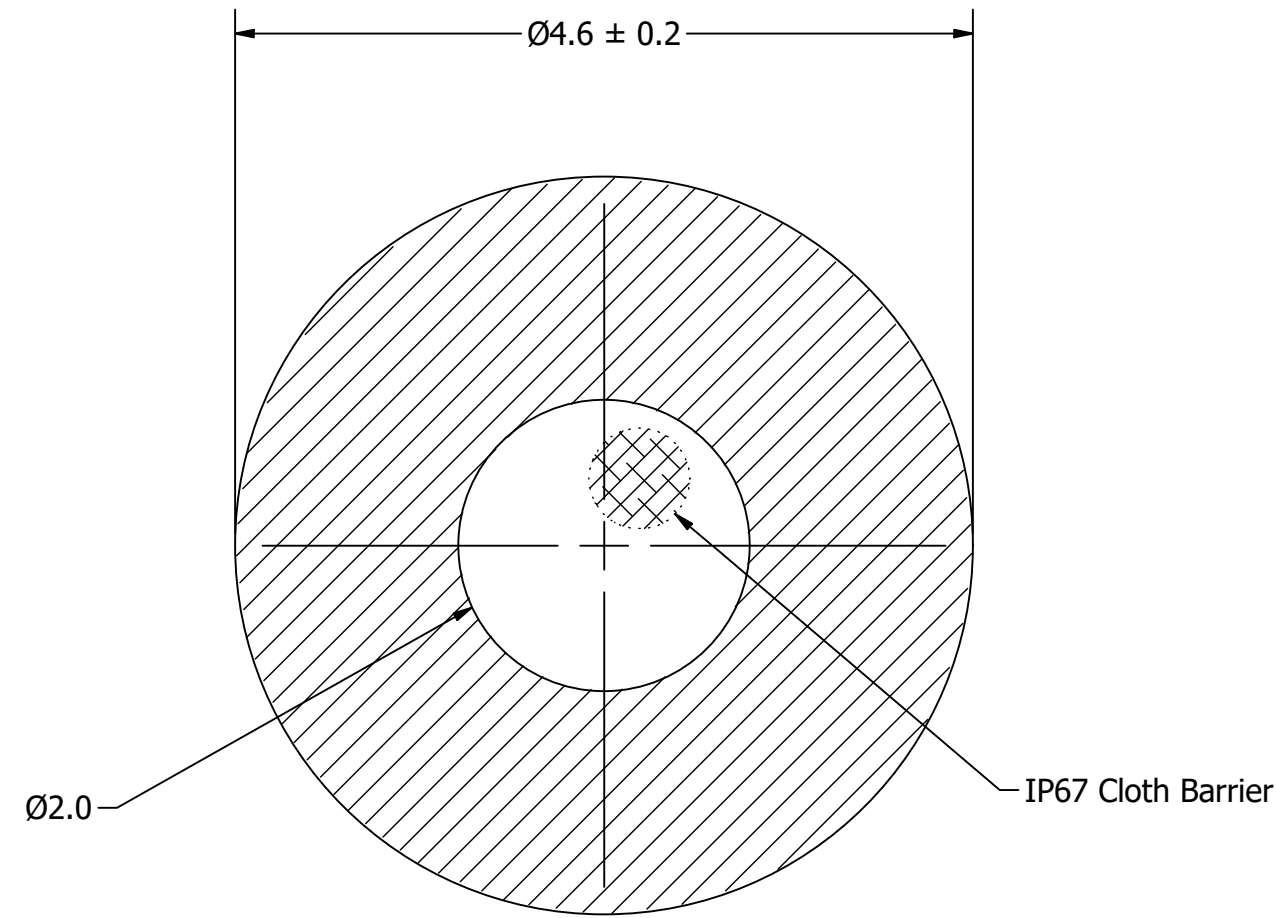
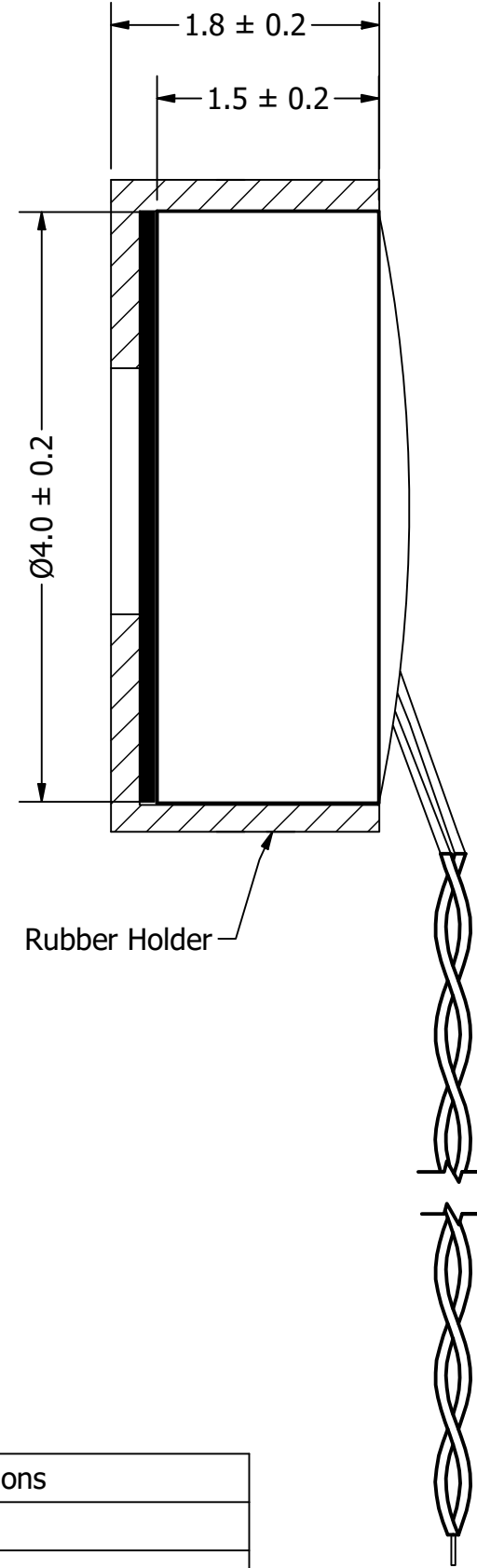


Part Number:	MW044202-1	
DESCRIPTION:	Waterproof Microphone	
DRAWN	CJ	6/9/2020
CHECKED		6/10/2020
P.D.		6/10/2020
APPROVED	J.S.	6/10/2020
This document contains data proprietary to DB Unlimited. Any use or reproduction, in any form, without prior written permission of DB Unlimited is prohibited. All terms and conditions can be found at www.dbunlimitedco.com		

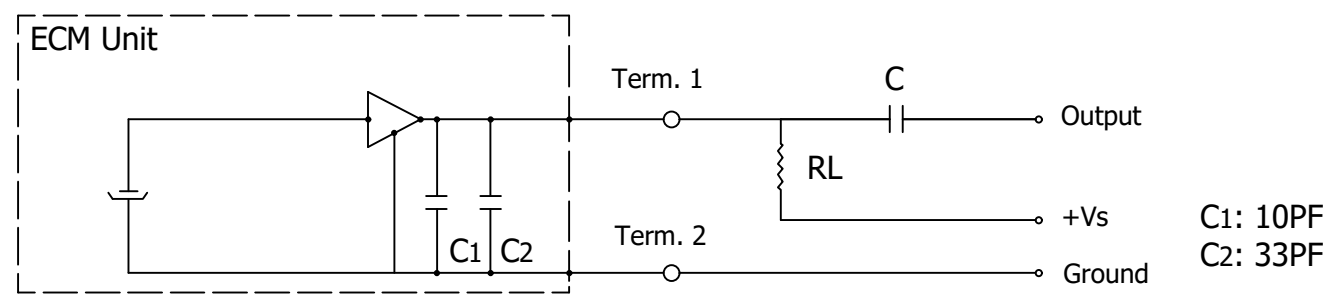
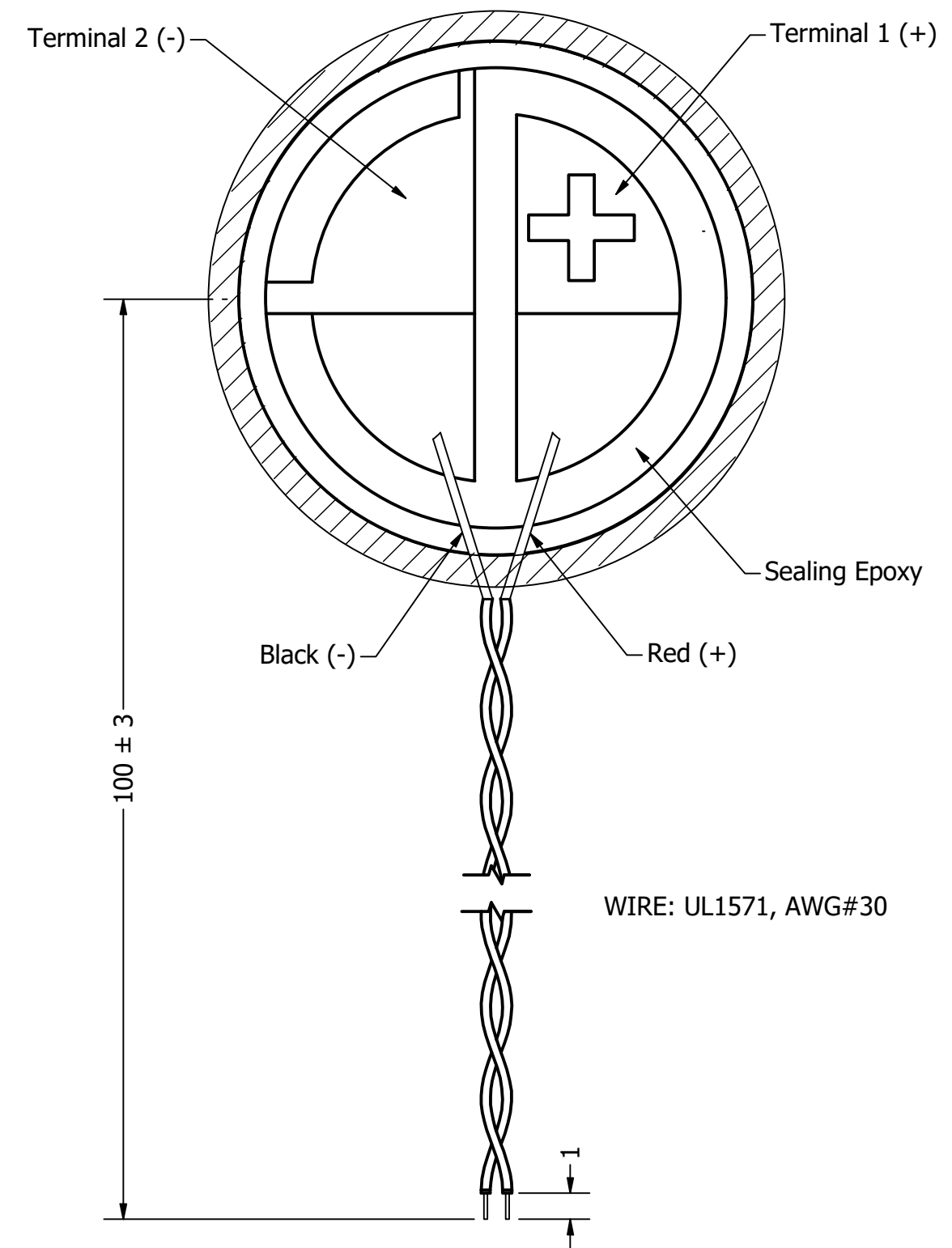
Top View



Side View



Bottom View



Items	Specifications	Conditions
Directivity	Omnidirectional	
Sensitivity	-42 ± 3	dB
Frequency Range	50 ~ 16,000	Hz
Rated Voltage	2	V
Voltage Range	1 ~ 10	V
Output Impedance	2,200	Ω
Max. Rated Current	500	uA
IP Rating	IP67	
Storage Temperature	-25 ~ +70	°C
Operating Temperature	-20 ~ +60	°C
Signal to Noise Ratio	60	dB
Mount Type	Flush Mount	
Connection Method	Lead Wires	

REVISION HISTORY

REV	DESCRIPTION	DATE	APPROVED
	Released from Engineering	6/10/2020	J.S.
1	Dimension added to top view	12/29/2020	J.S.

NOTES

- 1) All dimensions are in mm unless otherwise noted
- 2) All tolerances are ± 0.5 mm unless otherwise noted
- 3) All parts meet RoHS
- 4) Subject to change or redrawn without notice