

Evaluating the **AD5040/AD5060, AD5061, and AD5062** 16-/14-Bit, *nanoDAC*

FEATURES

Full featured evaluation board for the **AD5040/AD5060, AD5061** or **AD5062**
On board reference
Various link options
PC control in conjunction with the Analog Devices, Inc., **EVAL-SDP-CB1Z** system demonstration platform (SDP)

EVALUATION KIT CONTENTS

EVAL-AD5040SDZ, EVAL-AD5060SDZ, EVAL-AD5061SDZ, and **EVAL-AD5062SDZ** evaluation board

CD includes

Self installing evaluation software that allows users to control the board and exercise all functions of the device
Electronic version of the **EVAL-AD5040SDZ/ EVAL-AD5060SDZ/EVAL-AD5061SDZ/EVAL-AD5062SDZ** user guide

ADDITIONAL EQUIPMENT AND SOFTWARE NEEDED

EVAL-SDP-CB1Z SDP board, includes a USB cable
PC running Windows® Vista, Windows 7, or Windows 8 with a USB 2.0 port

ONLINE RESOURCES

Documents needed

AD5040/AD5060, AD5061, and AD5062 data sheets
EVAL-AD5040SDZ/EVAL-AD5060SDZ/EVAL-AD5061SDZ/ EVAL-AD5062SDZ user guide

Required software

AD5040/AD5060, AD5061, and AD5062 evaluation software (download from the **AD5040/AD5060, AD5061, and AD5062** product pages)

Design and integration files

Schematics, layout files, and bill of materials

GENERAL DESCRIPTION

This user guide details the operation of the evaluation boards for the **AD5040/AD5060, AD5061** and **AD5062** 14-/16-bit, voltage output *nanoDAC*s. The evaluation boards are identical apart from the DAC being evaluated, which is determined by the order code. For the purpose of this user guide, the **AD5040/AD5060, AD5061, or AD5062** is referred to as the device being evaluated.

The evaluation board helps users quickly prototype new circuits for the **AD5040/AD5060, AD5061, or AD5062** and reduce design time. The **AD5040/AD5060, AD5061, and AD5062** operate from a single 2.7 V to 5.5 V supply. An **ADR444** is provided on-board as a 4.096 V reference source.

Full data on the **AD5040/AD5060, AD5061, and AD5062** is available in the appropriate data sheet, which should be consulted in conjunction with this user guide when using the evaluation board.

The evaluation board interfaces to the USB port of a PC via the SDP board. Software is supplied with the evaluation board to allow the user to program the **AD5040/AD5060, AD5061, or the AD5062**.

The evaluation boards are compatible with the **EVAL-SDP-CB1Z** Blackfin® SDP controller board (SDP-B).

TABLE OF CONTENTS

Features	1	Input Signals.....	5
Evaluation Kit Contents.....	1	Output Signals	5
Additional Equipment and Software Needed.....	1	Link Configuration Options	6
Online Resources	1	Setup Conditions.....	6
General Description	1	Evaluation Board Circuitry	7
Revision History	2	How to Use the Software	8
Typical Evaluation Setup	3	Starting the Software.....	8
Getting Started	4	Software Operation	9
Installing the Software	4	Evaluation Board Schematics and Artwork.....	10
Evaluation Board Setup Procedures.....	4	Ordering Information.....	13
Evaluation Board Hardware.....	5	Bill of Materials.....	13
Power Supplies	5		

REVISION HISTORY

4/16—Revision 0: Initial Version

TYPICAL EVALUATION BOARD SETUP



Figure 1.

1414b-001

GETTING STARTED

INSTALLING THE SOFTWARE

The evaluation kit for the device being evaluated includes self-installing software on the provided CD. The software is compatible with Windows Vista (32-bit), Windows 7 (32-bit and 64-bit), and Windows 8 (32-bit and 64-bit).

Install the software before connecting the SDP-B board to the USB port of the PC to ensure the SDP-B board is recognized when it connects to the PC.

To install the software, take the following steps:

1. Start the Windows operating system and insert the CD.
2. The installation software opens automatically. If it does not open automatically, run the **setup.exe** file from the CD.
3. After installation is complete, power up the evaluation board as described in the Power Supplies section.
4. Connect the evaluation board to the SDP-B board and connect the SDP-B board to the PC using the USB cable included in the kit.
5. When the software detects the evaluation board, proceed through any dialog boxes that appear to finalize the installation.

EVALUATION BOARD SETUP PROCEDURES

To set up the evaluation board, take the following steps:

1. Connect the evaluation board to the SDP-B board and connect the USB cable between the SDP-B board and the PC.
2. Power the SDP-B and evaluation boards by connecting a 6 V dc to the J6 connector.

EVALUATION BOARD HARDWARE

POWER SUPPLIES

To power the evaluation board, supply 6 V to connector J6. This creates a 5 V supply for the device being evaluated and a 3.3 V supply to power the SDP-B board. Alternatively, if the SDP-B board is not being used, a 2.7 V to 5.5 V can connect to Connector J5. An external reference voltage may be required so the reference voltage does not exceed V_{DD} .

All supplies are decoupled to ground with 10 μ F tantalum and 0.1 μ F ceramic capacitors.

INPUT SIGNALS

When the SDP-B board controls the evaluation board, the digital input signals are applied to Connector J1. When the SDP-B board is not used, apply the digital signals Connector J7.

OUTPUT SIGNALS

The DAC output voltage is available on the J2 SMB connector.

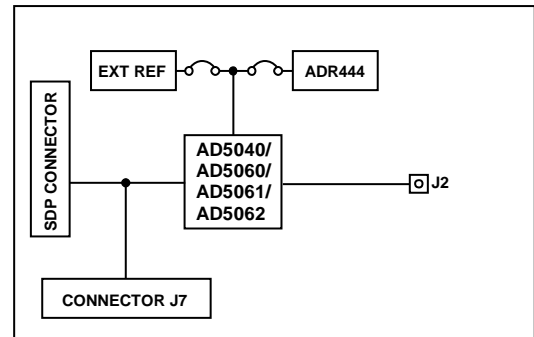


Figure 2. Evaluation Board Block Diagram

Table 1. Power Supply Connectors

Connector	Voltage
J5	Analog power supply, V_{DD} for single-supply operation.
J6	Power supply connection when using the evaluation board with the SDP-B board.

LINK CONFIGURATION OPTIONS

There are two link options (LK1 and LK2) that must be set correctly to select the appropriate operating setup before using the evaluation board. The functions of these options are described in Table 2.

SETUP CONDITIONS

Before applying power and signals to the evaluation board, ensure that all link positions are as required by the operating mode.

There are two modes in which to operate the evaluation board: SDP-B controlled mode, used with the SDP-B board, or the evaluation board used in standalone mode.

Table 2 also shows the default positions where the links are set when the evaluation board is packaged. When the board is shipped, it is set up to operate with the SDP-B board in the SDP controlled mode.

Table 2. Link Functions

Link No.	Function	Default Position
LK1	This link selects the V_{DD} source for the device being evaluated. Position A selects the output of the ADP7102 voltage regulator (U4) as the V_{DD} source. Position B selects connector J5 as the V_{DD} source.	A
LK2	This link selects the reference source for the device being evaluated. Position A selects an external reference voltage applied to Connector J4. Position B selects the on-board ADR444 , 4.096 V reference.	B

EVALUATION BOARD CIRCUITRY

Control of the device is typically performed by the SDP-B board, which is attached to Connector J1. The SDP-B board allows the software provided with the kit to load register values and set the voltage of the DAC output.

When the SDP-B board is not required, the control signals can be applied to the device by connecting them to the relevant pins on Connector J7.

The DAC output voltage is available on the J2 SMB Connector.

HOW TO USE THE SOFTWARE

STARTING THE SOFTWARE

To run the software, take the following steps:

1. Connect the evaluation board to the SDP-B board and connect the USB cable between the SDP-B board and the PC.
2. Power the SDP-B board and the evaluation board by connecting 5 V to Connector J2.
3. Click **Start** > **All Programs** > **Analog Devices** > **AD506x Evaluation Software**. The software will identify the board connected to the SDP-B and display the board name, as shown in Figure 3.

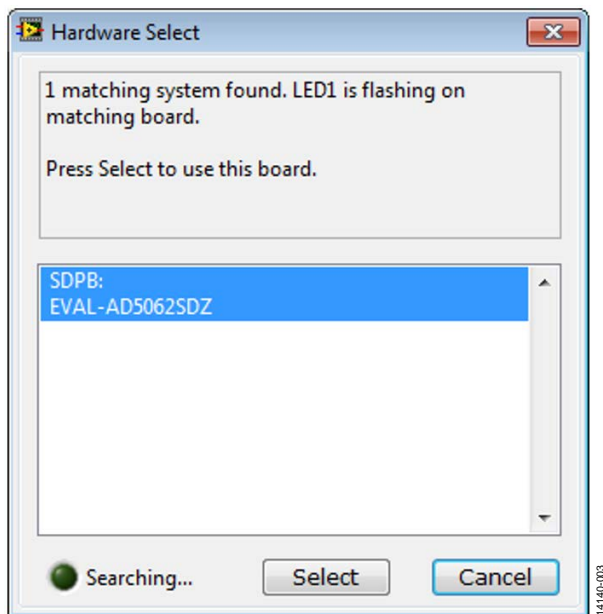


Figure 3. Connection Message

If the SDP-B board is not connected to the USB port when the software is launched, a connectivity error displays (see Figure 4). Connect the evaluation board to the USB port of the PC, wait a few seconds, click **Rescan**, and follow the instructions.

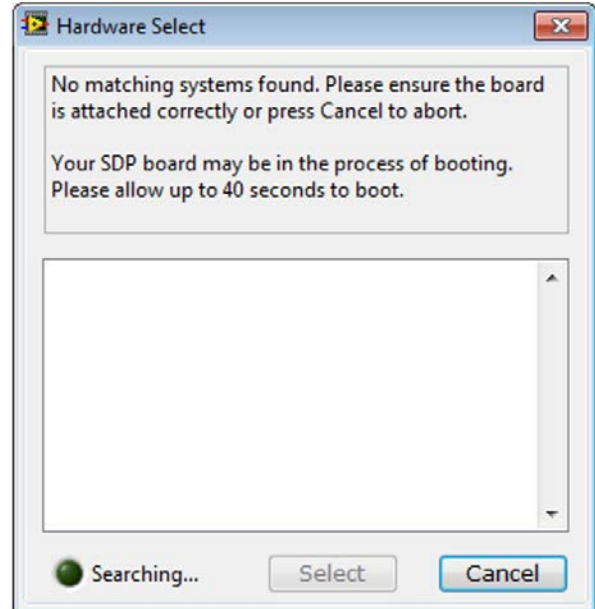


Figure 4. Connectivity Error

When the software connects to the SDP-B and evaluation board, the main window of the evaluation software opens, as shown in Figure 5.

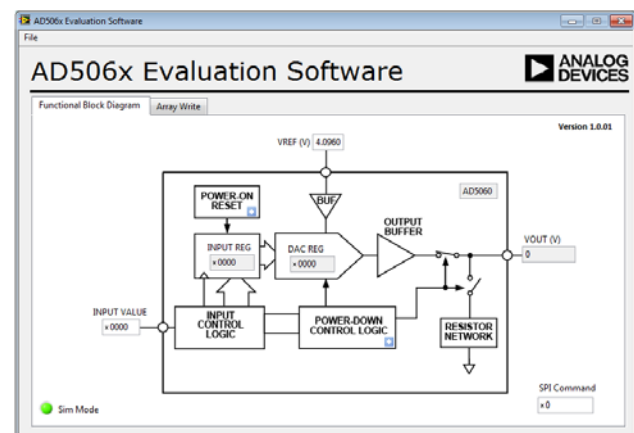


Figure 5. AD506x Evaluation Software Main Window

SOFTWARE OPERATION

The evaluation software allows the user to program values to the input register of the DAC. The value that is written and the value of the reference voltage calculates the output voltage.

Power-Down Menu

The device has three power down modes. These can be accessed by clicking the blue box on the **Power-Down Control Logic** section of the block diagram (Figure 5). The **Powerdown Configuration** window, shown in Figure 6, then appears to select the required operating mode.

The input register can still be loaded while the device is in power down mode, but the output voltage is determined by the power down condition.

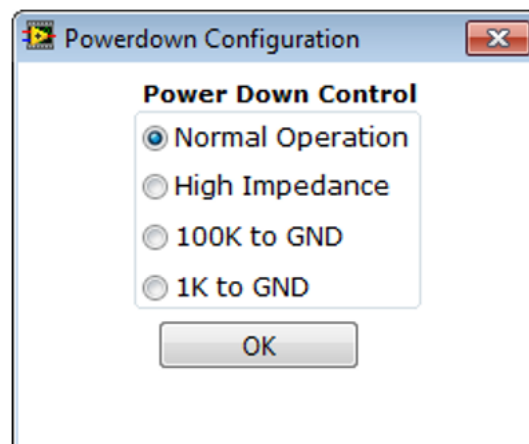


Figure 6. **Powerdown Configuration** Window

EVALUATION BOARD SCHEMATICS AND ARTWORK

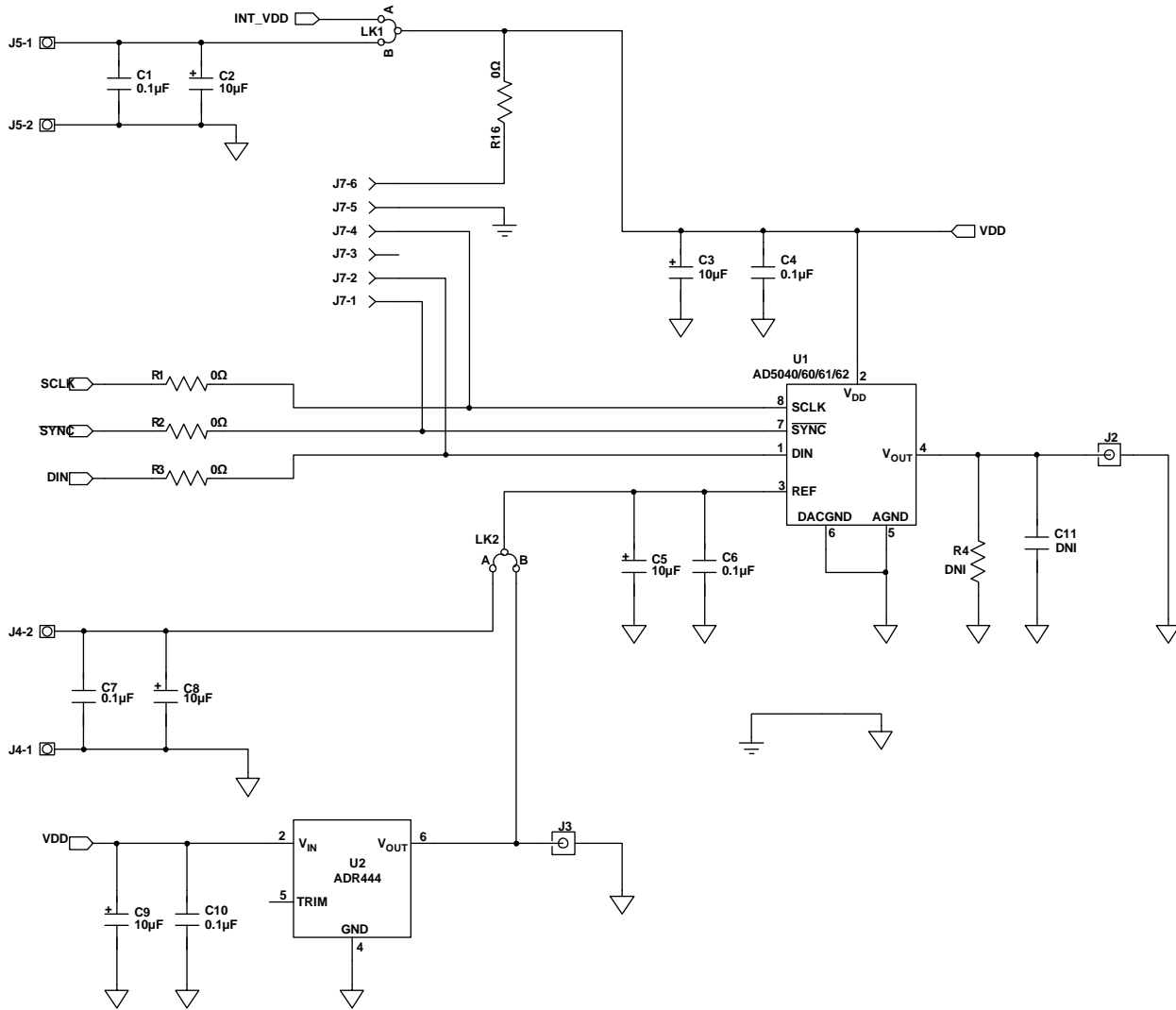


Figure 7. EVAL-AD5040SDZ/EVAL-AD5060SDZ/EVAL-AD5061SDZ/EVAL-AD5062SDZ Schematic, Page 1

14140-007

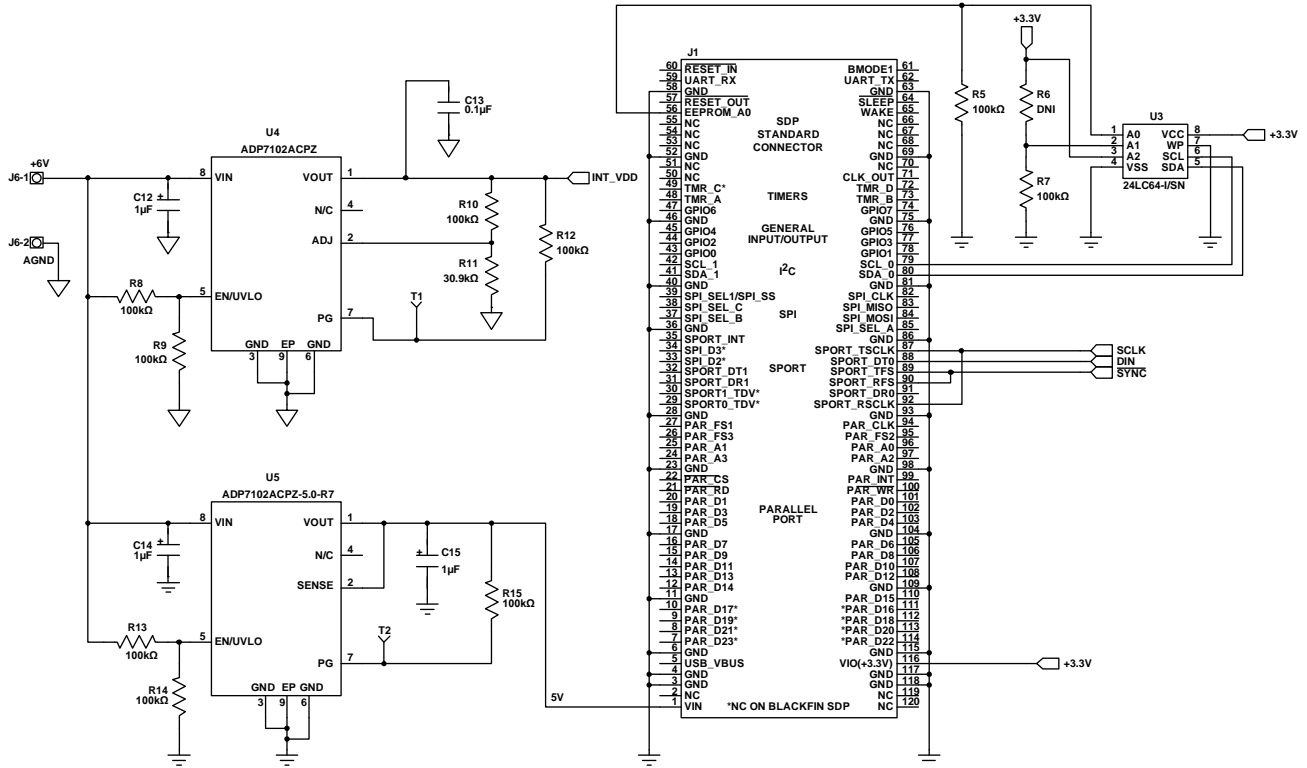


Figure 8. EVAL-AD5040SDZ/EVAL-AD5060SDZ/EVAL-AD5061SDZ/EVAL-AD5062SDZ Schematic, Page 2

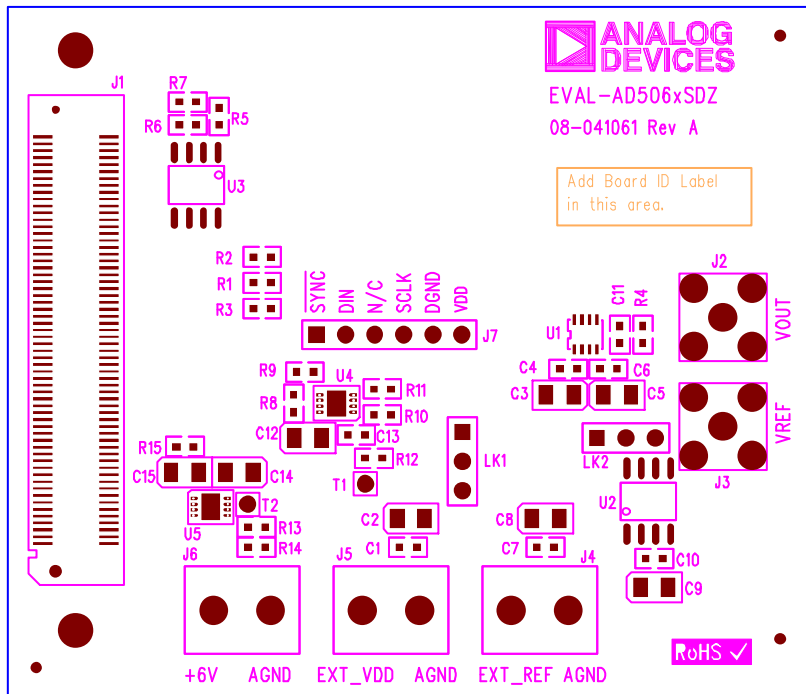
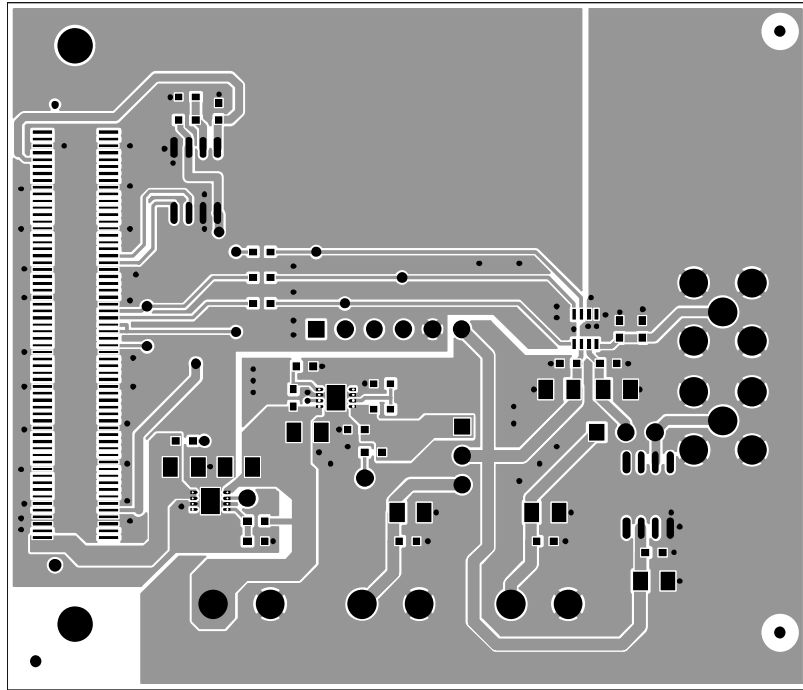
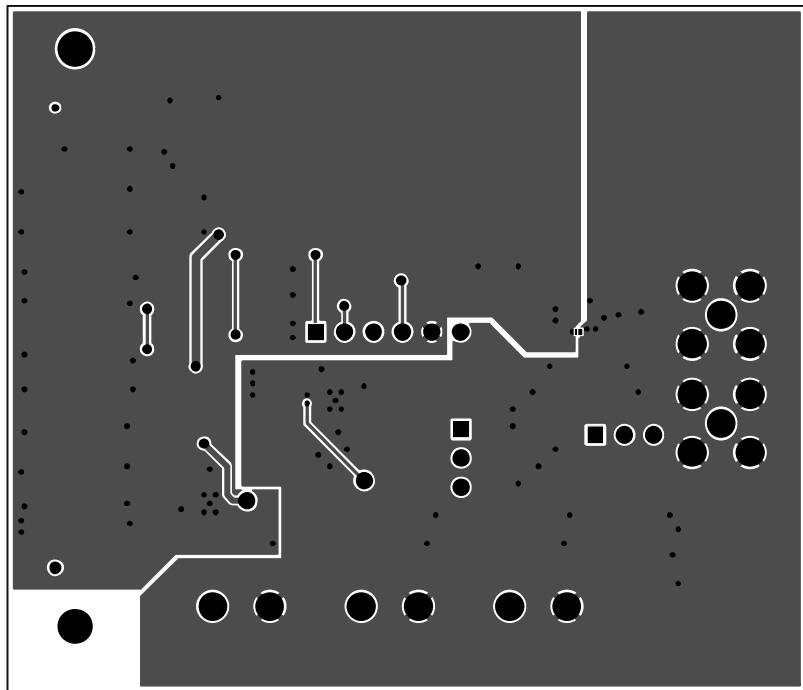


Figure 9. Component Placement Drawing



14140-010

Figure 10. Printed Circuit Board, Component Side



14140-011

Figure 11. Printed Circuit Board, Solder Side

ORDERING INFORMATION

BILL OF MATERIALS

Table 3.

Qty	Reference Designator	Description	Part Number ¹
6	C1, C4, C6, C7, C10, C13	100 nF, 50 V, 0603 capacitor	FEC 8820023
5	C2, C3, C5, C8, C9	10 µF, 16 V, tantalum capacitor	FEC 1432339
1	C11	Multilayer ceramic capacitor	Do not insert
3	C12 to C15	1 µF, 16 V, tantalum capacitor	FEC 498701
1	G1	Copper short	Not applicable
1	J1	120-way connector, 0.6 mm pitch	FEC 1324660
2	J2, J3	50 Ω SMA jack, vertical	FEC 1814376
2	J4, J5	2-pin terminal block (5 mm pitch)	FEC 1177875
1	J6	2-pin terminal block (5 mm pitch)	FEC 151789
1	J7	7-pin SIL, 0.1" pitch, header	FEC 1022257 (8-way, cut to size)
2	LK1, LK2	Jumper block using 3-pin SIP header	FEC 1022248 and 150410
3	R1 to R3	0 Ω, 1%, 0603 resistor	FEC 9331662
2	R4, R6	0603 SMD resistor	Do not insert
10	R5, R7 to R15	100 kΩ, 1%, 0603 resistor	FEC 9330402
2	T1, T2	Red test point	FEC 8731144
1	U1 ²	DAC	AD5060BRJZ-1500RL7/AD5040BRJZ-RL7/AD5061BRUZ-1REEL7/AD5062-1REEL7
1	U2	4.096 V reference	ADR444ARZ
1	U3	64K I ² C serial EEPROM	FEC 9758070
1	U4	Ultralow noise, linear regulator, adjustable	ADP7102ACPZ-R7
1	U5	5 V, ultralow noise, linear regulator	ADP7102ACPZ-5.0-R7
2	SCREW1, SCREW2	M3X10 nylon screw	FEC 7070597
2	NUT1, NUT2	M3 nylon nut/washer	FEC 7061857
4		Stick on feet, small, one on each corner	FEC 1165061

¹ FEC is Farnell Electronics Components.

² The Part Number populated depends on the evaluation board used.

I²C refers to a communications protocol originally developed by Philips Semiconductors (now NXP Semiconductors).



ESD Caution

ESD (electrostatic discharge) sensitive device. Charged devices and circuit boards can discharge without detection. Although this product features patented or proprietary protection circuitry, damage may occur on devices subjected to high energy ESD. Therefore, proper ESD precautions should be taken to avoid performance degradation or loss of functionality.

Legal Terms and Conditions

By using the evaluation board discussed herein (together with any tools, components documentation or support materials, the "Evaluation Board"), you are agreeing to be bound by the terms and conditions set forth below ("Agreement") unless you have purchased the Evaluation Board, in which case the Analog Devices Standard Terms and Conditions of Sale shall govern. Do not use the Evaluation Board until you have read and agreed to the Agreement. Your use of the Evaluation Board shall signify your acceptance of the Agreement. This Agreement is made by and between you ("Customer") and Analog Devices, Inc. ("ADI"), with its principal place of business at One Technology Way, Norwood, MA 02062, USA. Subject to the terms and conditions of the Agreement, ADI hereby grants to Customer a free, limited, personal, temporary, non-exclusive, non-sublicensable, non-transferable license to use the Evaluation Board FOR EVALUATION PURPOSES ONLY. Customer understands and agrees that the Evaluation Board is provided for the sole and exclusive purpose referenced above, and agrees not to use the Evaluation Board for any other purpose. Furthermore, the license granted is expressly made subject to the following additional limitations: Customer shall not (i) rent, lease, display, sell, transfer, assign, sublicense, or distribute the Evaluation Board; and (ii) permit any Third Party to access the Evaluation Board. As used herein, the term "Third Party" includes any entity other than ADI, Customer, their employees, affiliates and in-house consultants. The Evaluation Board is NOT sold to Customer; all rights not expressly granted herein, including ownership of the Evaluation Board, are reserved by ADI. CONFIDENTIALITY. This Agreement and the Evaluation Board shall all be considered the confidential and proprietary information of ADI. Customer may not disclose or transfer any portion of the Evaluation Board to any other party for any reason. Upon discontinuation of use of the Evaluation Board or termination of this Agreement, Customer agrees to promptly return the Evaluation Board to ADI. ADDITIONAL RESTRICTIONS. Customer may not disassemble, decompile or reverse engineer chips on the Evaluation Board. Customer shall inform ADI of any occurred damages or any modifications or alterations it makes to the Evaluation Board, including but not limited to soldering or any other activity that affects the material content of the Evaluation Board. Modifications to the Evaluation Board must comply with applicable law, including but not limited to the RoHS Directive. TERMINATION. ADI may terminate this Agreement at any time upon giving written notice to Customer. Customer agrees to return to ADI the Evaluation Board at that time. LIMITATION OF LIABILITY. THE EVALUATION BOARD PROVIDED HEREUNDER IS PROVIDED "AS IS" AND ADI MAKES NO WARRANTIES OR REPRESENTATIONS OF ANY KIND WITH RESPECT TO IT. ADI SPECIFICALLY DISCLAIMS ANY REPRESENTATIONS, ENDORSEMENTS, GUARANTEES, OR WARRANTIES, EXPRESS OR IMPLIED, RELATED TO THE EVALUATION BOARD INCLUDING, BUT NOT LIMITED TO, THE IMPLIED WARRANTY OF MERCHANTABILITY, TITLE, FITNESS FOR A PARTICULAR PURPOSE OR NON-INFRINGEMENT OF INTELLECTUAL PROPERTY RIGHTS. IN NO EVENT WILL ADI AND ITS LICENSORS BE LIABLE FOR ANY INCIDENTAL, SPECIAL, INDIRECT, OR CONSEQUENTIAL DAMAGES RESULTING FROM CUSTOMER'S POSSESSION OR USE OF THE EVALUATION BOARD, INCLUDING BUT NOT LIMITED TO LOST PROFITS, DELAY COSTS, LABOR COSTS OR LOSS OF GOODWILL. ADI'S TOTAL LIABILITY FROM ANY AND ALL CAUSES SHALL BE LIMITED TO THE AMOUNT OF ONE HUNDRED US DOLLARS (\$100,000). EXPORT. Customer agrees that it will not directly or indirectly export the Evaluation Board to another country, and that it will comply with all applicable United States federal laws and regulations relating to exports. GOVERNING LAW. This Agreement shall be governed by and construed in accordance with the substantive laws of the Commonwealth of Massachusetts (excluding conflict of law rules). Any legal action regarding this Agreement will be heard in the state or federal courts having jurisdiction in Suffolk County, Massachusetts, and Customer hereby submits to the personal jurisdiction and venue of such courts. The United Nations Convention on Contracts for the International Sale of Goods shall not apply to this Agreement and is expressly disclaimed.

©2016 Analog Devices, Inc. All rights reserved. Trademarks and registered trademarks are the property of their respective owners. UG14140-0-4/16(0)



www.analog.com