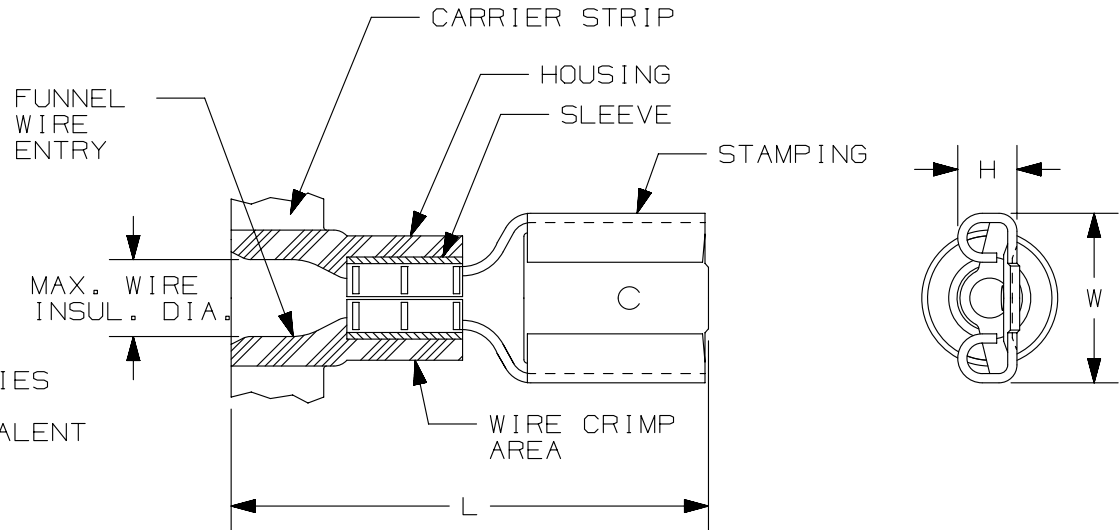


THIS COPY IS PROVIDED ON A RESTRICTED BASIS AND IS NOT TO BE USED IN ANY WAY DETRIMENTAL TO THE INTERESTS OF PANDUIT CORP.

PANDUIT PART #	TAB SIZE	WIRE RANGE		HOUSING COLOR	MAX. WIRE INSUL. DIA.	DIMENSIONS in. [mm]			TOOL CHART
		ENGLISH	METRIC			L ± .03 [0,8]	W ± .02 [0,5]	H ± .02 [0,5]	PRESSES: CP-851, CP-860, CP-861, CP-870, CP-862 APPLICATOR DIES: CA-800, CA9
DV10-250C	.250 X .032 [6,4 X 0,8]	12-10	4,0-6,0	YELLOW	.23 [5,8]	.95 [24,1]	.29 [7,4]	.12 [3,1]	CD-800-3 CD9-3B

NOTES:

- USED FOR:
  - A. STRANDED COPPER WIRE ONLY
  - B. 221°F [105°C] MAX. OPERATING TEMPERATURE
  - C. 600 V. MAX. VOLTAGE RATING
- MATERIAL:
  - A. STAMPING: CDA-260 BRASS, TIN PLATED
  - B. HOUSING: VINYL
  - C. SLEEVE: BRASS
- WIRE STRIP LENGTH:  $11/32 +^{1/32}_0$  [8,7 + $0,8$ ]
- SEE [www.panduit.com](http://www.panduit.com) FOR PACKAGE QUANTITIES INDICATED BY PART NUMBER SUFFIX
- DIMENSIONS IN BRACKETS ARE METRIC EQUIVALENT



REV	DATE	BY	CHK	APR	DESCRIPTION	ECN
04	10.22.12	JBN	LSM	VMB	ADDED METRIC EQUIVALENT. REVISED NOTES. UPDATED DRAWING TO CURRENT STANDARDS.	A41654

TITLE <b>DISCO™ FEMALE DISCONNECTS, VINYL BARREL INSULATED, FUNNEL ENTRY</b> CUSTOMER DRAWING			
ITEM REVISION NAME N41654BA/04		<b>PANDUIT</b>	
DATASET FILE NAME N41654BA_DC/04A			
UNLESS OTHERWISE SPECIFIED, DIMENSIONAL TOLERANCES ARE: IN [mm]		MATERIAL: <b>SEE NOTES</b>	
.x ± .1 [2.54]      .xxx ± .005 [0.127] .xx ± .01 [0.25]      ANGLES ± 5°		DRAWING NUMBER: A41654	
DRAWN BY JKD		THIRD ANGLE PROJECTION	
DATE	CHK	SCALE	SIZE
-	-	N.T.S.	A
SHEET 1 OF 1			

D10100DA/12