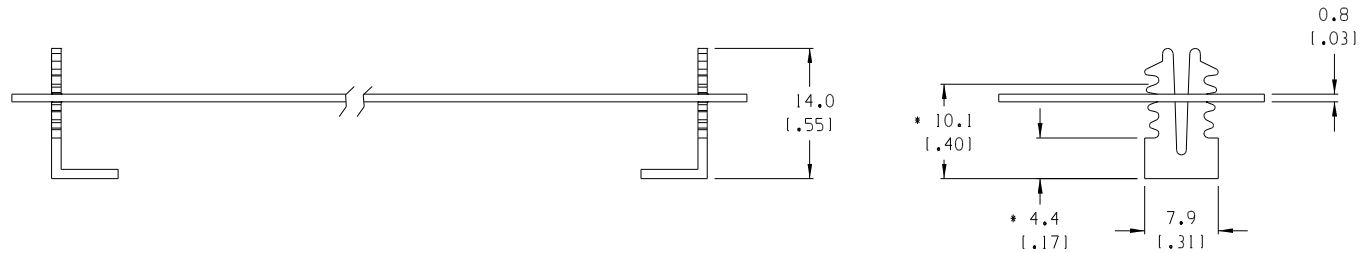
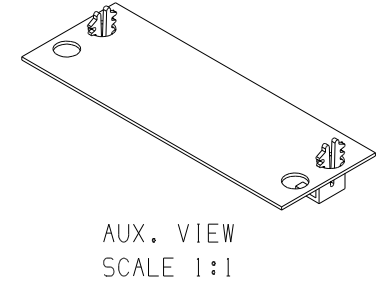
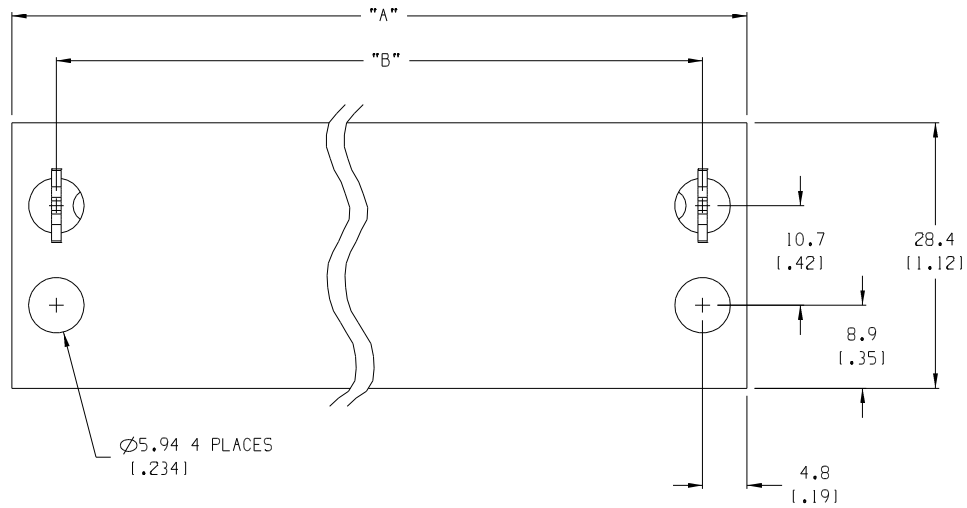


NO. OF CIRC.	DIM. "A"		DIM. "B"		KIT MATERIAL NO.
01	23.2	1.921	13.6	1.541	387836401
02	34.4	11.351	24.7	1.971	387836402
03	45.5	11.791	35.8	11.411	387836403
04	56.6	12.231	46.9	11.851	387836404
05	67.7	12.671	58.0	12.291	387836405
06	78.8	13.101	69.2	12.721	387836406
07	89.9	13.541	80.3	13.161	387836407
08	101.0	13.981	91.4	13.601	387836408
09	112.1	14.421	102.5	14.041	387836409
10	123.3	14.851	113.6	14.471	387836410
11	134.4	15.291	124.7	14.911	387836411
12	145.5	15.731	135.8	15.351	387836412
13	156.6	16.171	146.9	15.791	387836413
14	167.7	16.601	158.1	16.221	387836414
15	178.8	17.041	169.2	16.661	387836415
16	189.9	17.481	180.3	17.101	387836416
17	201.0	17.921	191.4	17.541	387836417
18	212.2	18.351	202.5	17.971	387836418
19	223.3	18.791	213.6	18.411	387836419
20	234.4	19.231	224.7	18.851	387836420
21	245.5	19.671	235.8	19.291	387836421
22	256.6	110.101	247.0	19.721	387836422
23	267.7	110.541	258.1	110.161	387836423
24	278.8	110.981	269.2	110.601	387836424
25	289.9	111.421	280.3	111.041	387836425
26	301.1	111.851	291.4	111.471	387836426
27	312.2	112.291	302.5	111.911	387836427
28	323.3	112.731	313.6	112.351	387836428
29	334.4	113.171	324.7	112.791	387836429
30	345.5	113.601	335.9	113.221	387836430



NOTES:

1. MATERIAL: SEE TABLE
2. FINISHES: SEE TABLE
3. PRODUCT SPECIFICATION: NOT REQUIRED
4. PACKAGING: NOT REQUIRED
5. MATES WITH: 18 AND 78 SERIES BTS
6. (* *) DIMENSIONS INDICATE MAX. AND MIN. COVER HEIGHT.

ITEM	QTY.	DESCRIPTION	MATERIAL	FINISH
2	2	COVER CLIPS	ACETAL	NATURAL
1	1	BTS COVER	VULCANIZED FIBER	BLACK

EC NO. RELEASED CLY DRWN: CH'K1 APPR:	QUALITY SYMBOLS MAJOR CRITICAL SPC S	GENERAL TOLERANCES: (UNLESS SPECIFIED)		SCALE 2:1	DESIGN UNITS <input type="checkbox"/> mm <input checked="" type="checkbox"/> INCH	THIRD ANGLE PROJECTION	PROJECT NO. - DIMENSIONS: <input checked="" type="checkbox"/> mm <input type="checkbox"/> INCH <input type="checkbox"/> mm <input type="checkbox"/> INCH <input type="checkbox"/> mm ONLY	SHT REV
		4 PLACES ±.0015 3 PLACES ±.038 ±.005 2 PLACES ±.13 ±.01 1 PLACE ±.3	DRAWN BY & DATE C. YORK 10-04-04	TITLE: BTS COVER KIT, FLAT		REVISE ON CAD ONLY		
		ANGULAR: ±2°	CHECKED BY & DATE	MOLEX INCORPORATED				
		DRAFT WHERE APPLICABLE MUST REMAIN WITHIN DIMENSIONS	APPROVED BY & DATE	CAD FILENAME CAO4XX	MATERIAL NO. SEE CHART	DRAWING NO. SD-38783-001	SHEET NO. 1 OF 1	
THIS DRAWING CONTAINS INFORMATION THAT IS PROPRIETARY TO MOLEX INCORPORATED AND SHOULD NOT BE USED WITHOUT WRITTEN PERMISSION.								SIZE B