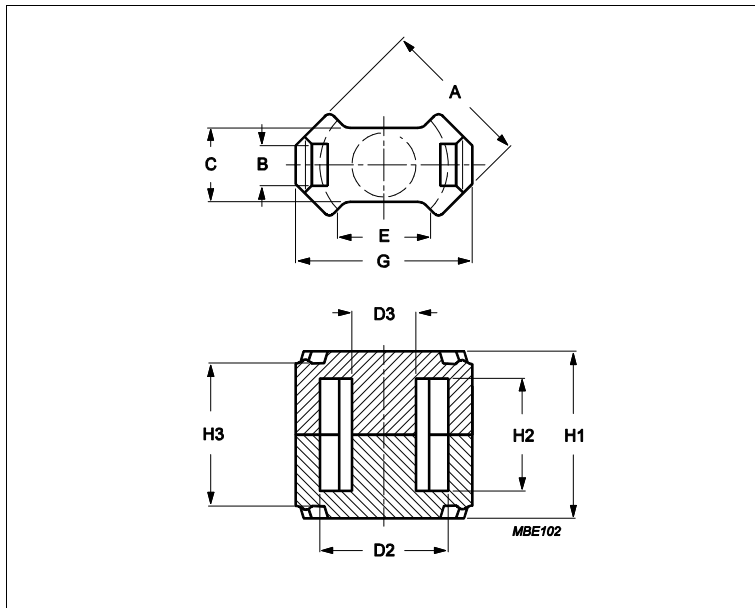


Core **RM4/I**



Effective parameters			
	Parameter	Value	Unit
$\Sigma(I/A)$	core factor (C1)	1.69	mm ⁻¹
Ve	effective volume	322	mm ³
Le	effective length	23.3	mm
Ae	effective area	13.8	mm ²
Amin	minimum area	11.5	mm ²
m	RM4/I	≈ 1.7	g/set

Dimensions for product: RM4/I						
	Nom	Tol +	Tol -	Max	Min	Unit
A	9.80	0.00	0.40	9.80	9.40	mm
B	2.50			2.50	2.50	mm
C	4.60	0.00	0.20	4.60	4.40	mm
D2	7.95	0.40	0.00	8.35	7.95	mm
D3	3.90	0.00	0.20	3.90	3.70	mm
E					5.80	mm
G	11.00	0.00	0.50	11.00	10.50	mm
H1	10.40	0.10	0.10	10.50	10.30	mm
H2	7.00	0.40	0.00	7.40	7.00	mm
H3	9.00	0.25	0.25	9.25	8.75	mm

Inductance factor				
Material	Value	Tol +	Tol -	Unit
3C94	1125	25%	25%	nH/turns ²
3C95	1300	25%	25%	nH/turns ²
3C96	1000	25%	25%	nH/turns ²
3F36	760	25%	25%	nH/turns ²
3F46	480	25%	25%	nH/turns ²

Power loss: 3C94				
Measuring conditions			Max	Unit
100 kHz	200 mT	100 °C	0.160	W/set
Power loss: 3C95				
Measuring conditions			Max	Unit

Core **RM4/I**

Power loss: 3C95				
Measuring conditions			Max	Unit
100 kHz	200 mT	100 °C	0.150	W/set
100 kHz	200 mT	25 °C	0.170	W/set
Power loss: 3C96				
Measuring conditions			Max	Unit
100 kHz	200 mT	100 °C	0.140	W/set
400 kHz	50 mT	100 °C	0.058	W/set
Power loss: 3F36				
Measuring conditions			Max	Unit
500 kHz	50 mT	100 °C	0.048	W/set
500 kHz	100 mT	100 °C	0.370	W/set
Power loss: 3F46				
Measuring conditions			Max	Unit
1000 kHz	50 mT	100 °C	0.130	W/set
3000 kHz	10 mT	100 °C	0.034	W/set

Bsat					
Measuring conditions			Material	Min	Unit
25 kHz	250 A/m	100 °C	3C94	320	mT
25 kHz	250 A/m	100 °C	3C95	330	mT
25 kHz	250 A/m	100 °C	3C96	340	mT
25 kHz	250 A/m	100 °C	3F36	340	mT
25 kHz	250 A/m	100 °C	3F46	330	mT

Accessories		
Ordering name	Description	Ordering code
CLI/P-RM4/5/I	Clip, with ground pin	432202134291
CLI-RM4/5/I	Clip	432202134941
CPVS-RM4-1S-6P	Coil former, termoplastic, vertical, SMD	432202100541
CSV-RM4-1S-5P	Coil former, termoset, vertical	432202103471
CSV-RM4-1S-6P	Coil former, termoset, vertical	432202100971
CSV-RM4-1S-6P-C	Coil former, termoset, vertical	432202107481
CSV-RM4-2S-6P	Coil former, termoset, vertical	432202106541