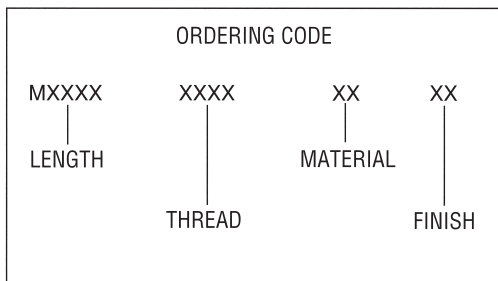
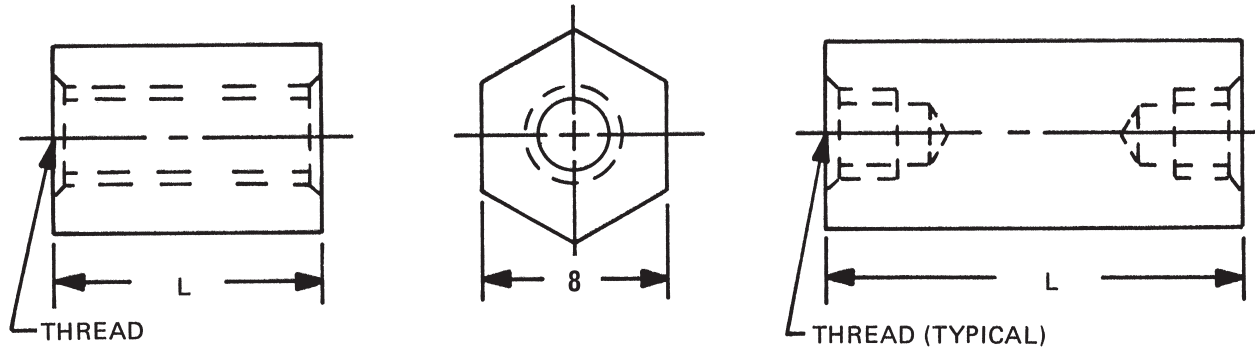




8mm HEX FEMALE STANDOFFS



See page 7M for thread depth chart
 See page 6M for finish codes
 For non-standard parts contact Sales Office

| LENGTH | PART NO. |
|--------|--------------|
| 3 | M1350 |
| 4 | M1351 |
| 5 | M1352 |
| 6 | M1353 |
| 7 | M1354 |
| 8 | M1355 |
| 9 | M1356 |
| 10 | M1357 |
| 11 | M1358 |
| 12 | M1359 |
| 13 | M1360 |
| 14 | M1361 |
| 15 | M1362 |
| 16 | M1363 |
| 17 | M1364 |
| 18 | M1365 |

| LENGTH | PART NO. |
|--------|--------------|
| 19 | M1366 |
| 20 | M1367 |
| 21 | M1368 |
| 22 | M1369 |
| 23 | M1370 |
| 24 | M1371 |
| 25 | M1372 |
| 28 | M1373 |
| 31 | M1374 |
| 34 | M1375 |
| 37 | M1376 |
| 40 | M1377 |
| 43 | M1378 |
| 46 | M1379 |
| 49 | M1380 |
| 52 | M1381 |

| THREAD | CODE |
|----------|------|
| M3x0.5 | 3005 |
| M3.5x0.6 | 3506 |
| M4x0.7 | 4007 |
| M5x0.8 | 5008 |

| MATERIAL | CODE | RoHS |
|-----------------|------|------|
| Aluminum | AL | YES |
| Brass | B | YES |
| Stainless Steel | SS | YES |
| Steel | S | YES |
| Nylon | N | YES |



95 Silvermine Road, Seymour, Ct. 06483 Phone: 203-888-2133 Fax: 203-888-9860
 e-mail : info@rafhdwe.com Web: www.rafhdwe.com

