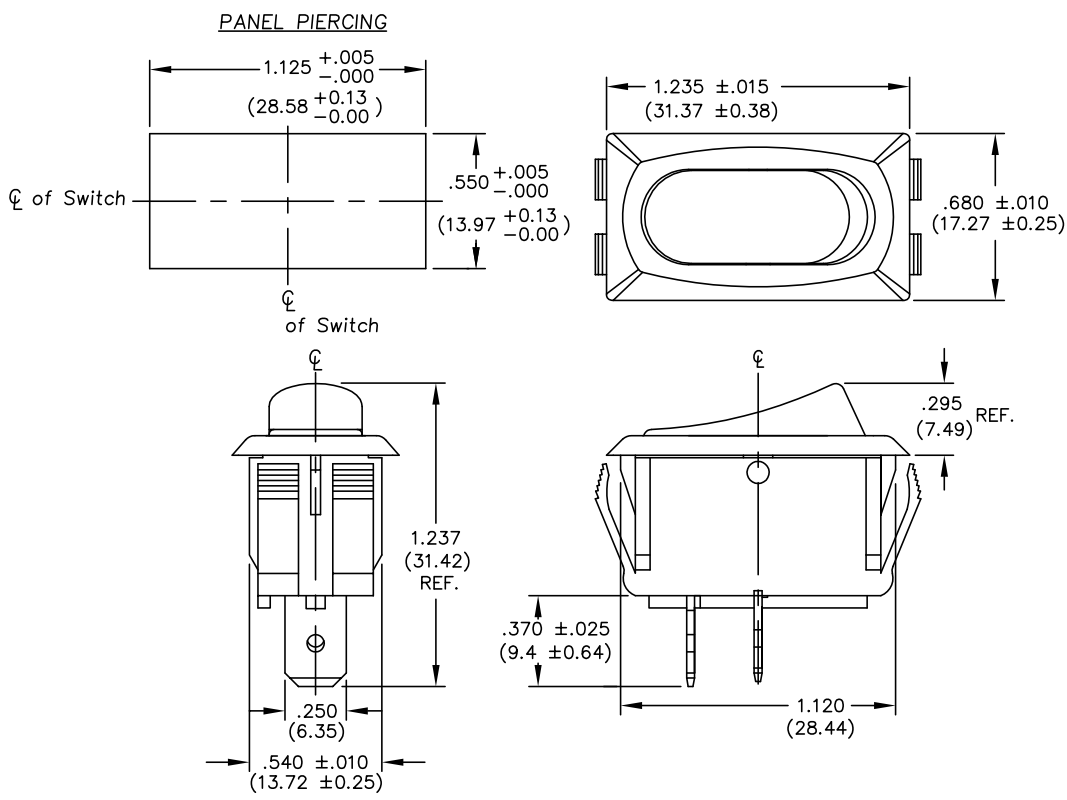


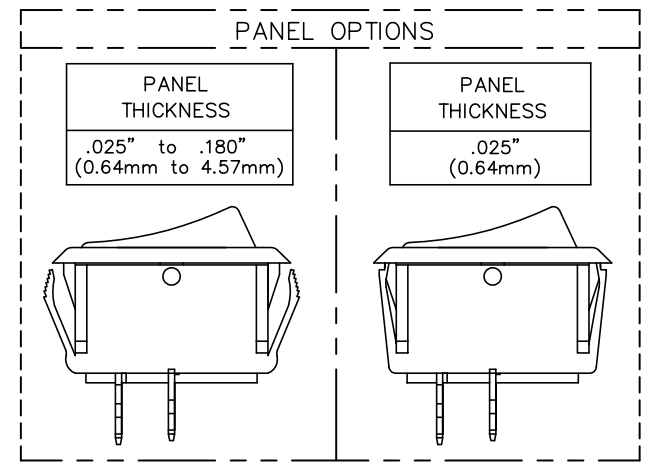
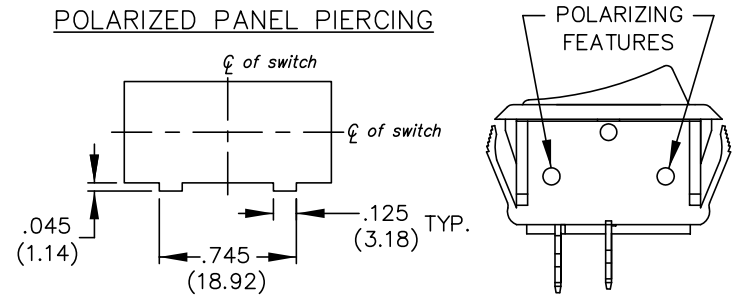
THIS INFORMATION IS CONFIDENTIAL AND PROPRIETARY TO CW INDUSTRIES INCORPORATED AND ITS AFFILIATES. IT MAY NOT BE DISCLOSED TO ANYONE, OTHER THAN CW INDUSTRIES PERSONNEL, WITHOUT WRITTEN AUTHORIZATION FROM CW INDUSTRIES INCORPORATED, SOUTHAMPTON, PENNSYLVANIA USA.

DIMENSIONS IN INCHES (MILLIMETERS)  
DO NOT SCALE DRAWING .....

Dwg. No.  
GRS-2011-25XX



**POLARIZED OPTION**



**TERMINAL OPTIONS:**

.250" Wide Terminal is standard.  
(As Shown in Drawing)

.187" Wide Terminal is optional.

(GLOSSY FINISH)

B-FORMAT 2002

**REVISIONS**

0	RELEASED. DGW 6-16-2010
---	----------------------------

1 2 3 4 5 6 7 8 9 10

**CW INDUSTRIES**  
Southampton, Pa. 18966

**TOLERANCES UNLESS OTHERWISE SPECIFIED**

2 Place Decimal $\pm 0.010$	METRIC
3 Place Decimal $\pm 0.005$	1 Place Dec. $\pm 0.25$ mm
Angles ..... $\pm 1^\circ$	2 Place Dec. $\pm 0.13$ mm

Made for: CW IND.  
Drawn by: DGW 6-16-2010  
Checked by:  
Approval:

Title: **ROCKER SWITCH  
S.P.S.T. ASSEMBLY  
STYLE LINE  
1.125" x .550" PANEL**

Division: SWITCH  
Dwg. No. GRS-2011-25XX