

10 9 8 7 6 5 4 3 2 1

F

E

D

C

B

A

F

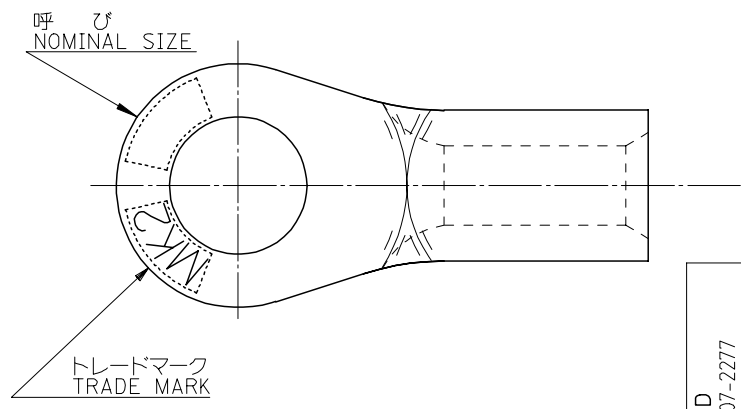
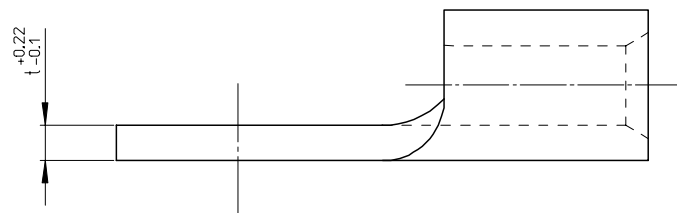
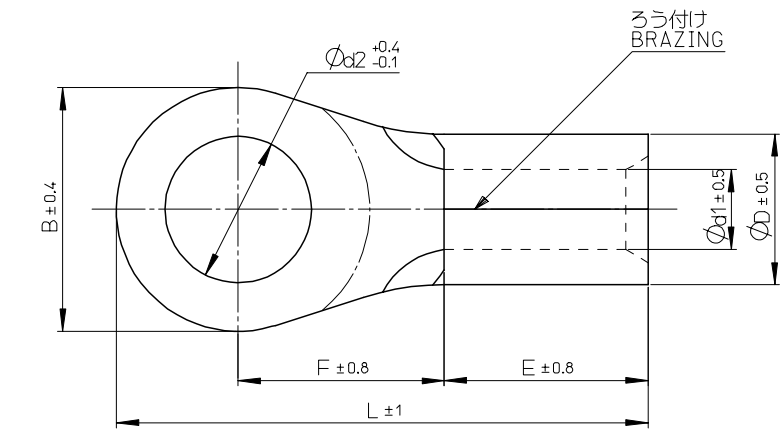
E

D

C

B

A



注記 NOTES

- 1 材質 MATERIAL
 端子: 無酸素銅、スズメッキ
 TERMINAL: OXYGEN-FREE COPPER, TIN PLATING
 ろう付け部: 銀ろう
 PART OF BRAZING : SILVER SOLDER
- 2 適用電線 APPLICABLE WIRE RANGE

単線 SOLID WIRE	撚線 STRANDED WIRE
8.26-9.27 mm	60.57-76.28 mm ²

2	25	61	26	19	13.3	17.5	32	70	24	50862-7925
	21								20	-7825
	19								18	-7725
	17								16	-7625
	15								14	-7525
	13								12	-7425
	11.5								11	-7325
	10.5								10	-7225
	8.4								8	-7125
	6.4								6	50862-7025
t	d2	L	F	E	d1	D	B	呼び NOMINAL SIZE	ENG. NO.	

RELEASED EC NO: J2007-2277 DRWNG: ITO 2007/03/27 CHKD: KASAHARA 2007/05/18 APPR: NUKITA 2007/05/21	GENERAL TOLERANCES (UNLESS SPECIFIED)		DIMENSION STYLE MM ONLY		SCALE ---	DESIGN UNITS METRIC	THIRD ANGLE PROJECTION	
	10 UNDER	± ---	DRAWN BY K. ITO	DATE 2007/02/06	TITLE RING TERMINAL			
	10 OVER 30 UNDER	± ---	CHECKED BY K. KASAHARA	DATE 2007/02/06	MATERIAL NO.			
	30 OVER	± ---	APPROVED BY N. UKITA	DATE 2007/02/06	DOCUMENT NO. SD-50862-001			
	ANGULAR	± --- °	SEE CHART		SHEET NO. 1 OF 1			
DRAFT WHERE APPLICABLE MUST REMAIN WITHIN DIMENSIONS		THIS DRAWING CONTAINS INFORMATION THAT IS PROPRIETARY TO MOLEX INCORPORATED AND SHOULD NOT BE USED WITHOUT WRITTEN PERMISSION						