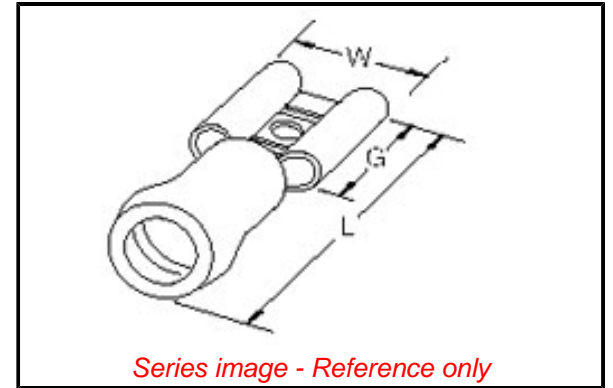


PLEASE CHECK WWW.MOLEX.COM FOR LATEST PART INFORMATION

Part Number: **0190190015**
Status: **Active**
Overview: Standard Quick-Disconnect Terminals
Description: Avikrimp Quick Disconnect, Female, for 18-22 (0.80-0.35mm²) Wire, Box, Tab 5.21 x 0.81mm

Documents:

3D Model	Product Specification PS-19902-013-001 (PDF)
Drawing (PDF)	Product Specification PS-19902-014-001 (PDF)
3D Model (PDF)	RoHS Certificate of Compliance (PDF)
Product Specification PS-19902-011-001 (PDF)	



General

Product Family	Quick Disconnects
Series	19019
Crimp Quality Equipment	Yes
Insulated	Partial
Overview	Standard Quick-Disconnect Terminals
Product Name	Avikrimp
Taxonomy	Quick Disconnects
Type	Quick Disconnect
UPC	800753037984

Physical

Barrel Type	Closed
Color - Resin	Red
Gender	Female
Glow-Wire Capable	No
Insulation	Nylon (PA)
Lock to Mating Part	None
Material - Metal	Brass
Material - Plating Mating	Tin
Material - Plating Termination	Tin
Net Weight	0.731/g
Orientation	Straight
Packaging Type	Bag
Polarized to Mating Part	No
Tab Thickness	0.81mm
Tab Width	5.21mm
Temperature Range - Operating	-65° to +105°C
Wire Insulation Diameter	2.90mm max.
Wire Size AWG	18, 20, 22

Electrical

Voltage - Maximum	300V
-------------------	------

Material Info

Engineering Number	AA-8190-032
--------------------	-------------

Reference - Drawing Numbers

Product Specification	PS-19902-011-001, PS-19902-013-001, PS-19902-014-001
Sales Drawing	SD-19019-001-001

EU ELV

Not Relevant

EU RoHS

Compliant

REACH SVHC

Not Contained Per -
D(2022)4187-DC (10
June 2022)

Halogen-Free

Status

Low-Halogen

For more information, please visit [Contact US](#)

China ROHS

Not Relevant

ELV

Not Relevant

RoHS Phthalates

Not Contained

Search Parts in this Series

19019 Series

Application Tooling | FAQ

Tooling specifications and manuals are found by selecting the products below. Crimp Height Specifications are then contained in the Application Tooling Specification document.

Global

Description	Product #
PremiumGrade Hand Crimp Tool for Insulkrimp Quick Disconnect Terminals, 10-22 AWG	640010200
Crimp Head for the AT-200 Pneumatic Hand Tool	640050200
ServiceGrade Hand Crimp Tool - Ratchet	640160037

PLEASE CHECK WWW.MOLEX.COM FOR LATEST PART INFORMATION