

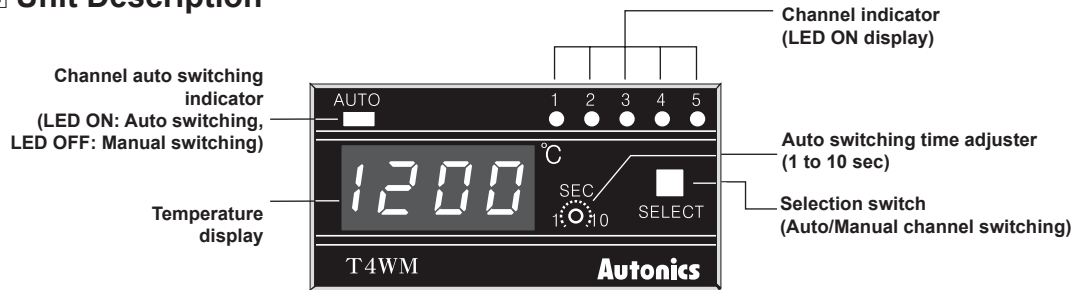
5-CH Temperature Indicator

Specifications

Series	T4WM	
Power supply	110/220VAC 50/60Hz	
Allowable voltage range	90 to 110% of rated voltage	
Power consumption	Max. 3VA	
Display method	7-segment LED method	
Character size (W×H)	9.8×14.2mm	
Display accuracy	F.S. ±0.5% rdg ±1-digit	
Input sensor	Thermocouples: K(CA), J(IC) / RTD: DPT100Ω	
Input line resistance	Thermocouples: Max. 100Ω / RTD: Allowable line resistance max. 5Ω per a wire	
Connectable sensors	5 (thermocouple, RTD are not used as mixed)	
Channel switch	Selectable Auto/Manual switching	
Auto switching time	Variable 1 to 10 sec (by built-in adjuster)	
Insulation resistance	Over 100MΩ (at 500VDC megger)	
Dielectric strength	2,000VAC 50/60Hz for 1 min	
Noise immunity	±1kV the square wave noise (pulse width: 1μs) by the noise simulator	
Vibration	Mechanical	0.75mm amplitude at frequency of 10 to 55Hz (for 1 min) in each X, Y, Z direction for 1 hour
	Malfunction	0.5mm amplitude at frequency of 10 to 55Hz (for 1 min) in each X, Y, Z direction for 10 min
Shock	Mechanical	300m/s ² (approx. 30G) in each X, Y, Z direction for 3 times
	Malfunction	100m/s ² (approx. 10G) in each X, Y, Z direction for 3 times
Environment	Ambient temperature	-10 to 50°C, storage:-25 to 65°C
	Ambient humidity	35 to 85%RH
Unit weight	Approx. 322g	

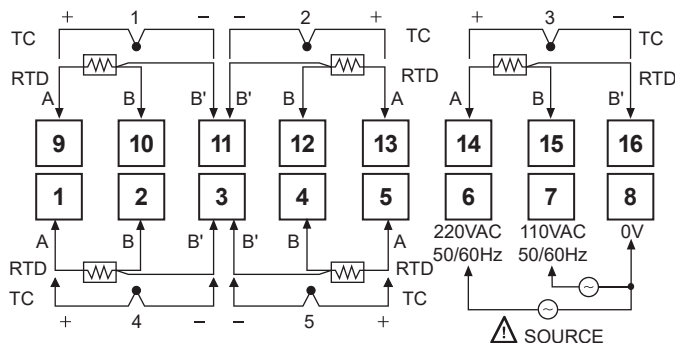
※Environment resistance is rated at no freezing or condensation.

Unit Description



Connections

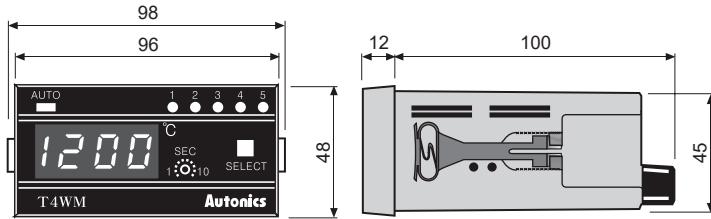
※RTD: DPT100Ω (3-wire type) ※Thermocouple: K(CA), J(IC)



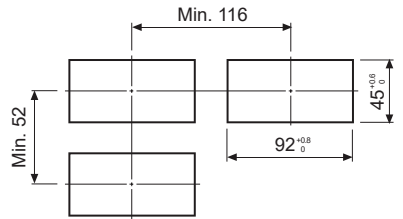
- (A) Photoelectric Sensors
- (B) Fiber Optic Sensors
- (C) Door/Area Sensors
- (D) Proximity Sensors
- (E) Pressure Sensors
- (F) Rotary Encoders
- (G) Connectors/ Connector Cables/ Sensor Distribution Boxes/Sockets
- (H) Temperature Controllers
- (I) SSRs / Power Controllers
- (J) Counters
- (K) Timers
- (L) Panel Meters
- (M) Tacho / Speed / Pulse Meters
- (N) Display Units
- (O) Sensor Controllers
- (P) Switching Mode Power Supplies
- (Q) Stepper Motors & Drivers & Controllers
- (R) Graphic/ Logic Panels
- (S) Field Network Devices
- (T) Software

T4WM Series

■ Dimensions




● Panel cut-out (unit: mm)



■ Channel Switching

◎ Auto/Manual channel switching

Auto switching	Select switch	Manual switching
When pressing this for 3 sec and the channel auto switching indicator turns ON and channels switch automatically. (AUTO LED: ON)		When press this once, the channel indicator turns ON and channels switch manually (AUTO LED: OFF)

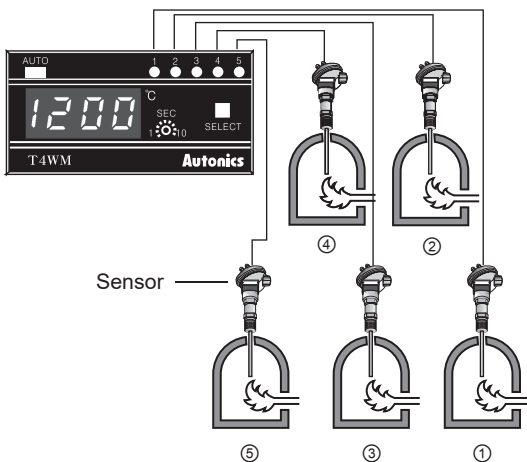
◎ Auto channel switching

- The temperature of each channel is displayed during auto switching time and switching to the next channel automatically.
- Auto switching time is variable up to 10 sec by the front adjuster.
- When it is auto channel switching, the channel auto switching indicator turns ON.

◎ Manual channel switching

Whenever touching selection switch (SELECT), channel switches.

When a channel indicator turns ON, the temperature of the channel is displayed and whenever touching the switch, it moves to next channel.



■ Selection Of Input Sensor Number By Internal DIP Switch

Max. 5 different sensors can be connected but do not use thermocouple and RTD together.

Sensor	2	3	4	5
DIP switch	ON 3 2 1 OFF ■ ■ ■	ON 3 2 1 OFF ■ ■ ■	ON 3 2 1 OFF ■ ■ ■	ON 3 2 1 OFF ■ ■ ■

■ Memory Protection

When the power fails, the data value will be protected for 3 months. (The battery must be charged fully.)