

PART NAME: KNOB

SCALE: 1:1

DATE: 3/16/94

DR. BY HD



DESIGNERS & MANUFACTURERS  
OF KNOBS, HANDLES, CASES &  
CUSTOM PLASTIC COMPONENTS

P/N 2837

THIS DRAWING IS THE PROPERTY OF DAVIES MOLDING COMPANY. IS SUBMITTED SOLELY AS A DESIGN OR ENGINEERING PROJECT.  
WE ACCEPT NO RESPONSIBILITY WHATSOEVER FOR THE PRACTICAL APPLICATION OF THE PIECES MADE TO THIS DESIGN.

DO NOT SCALE DRAWING

M<sup>NO.</sup> 73

CAVITY 2837

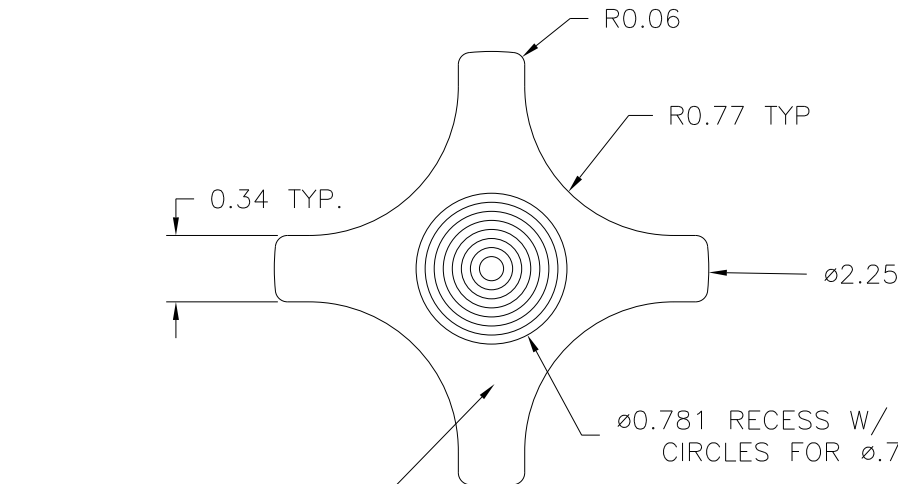
CAVITY PLUG 2837

CORE 2837

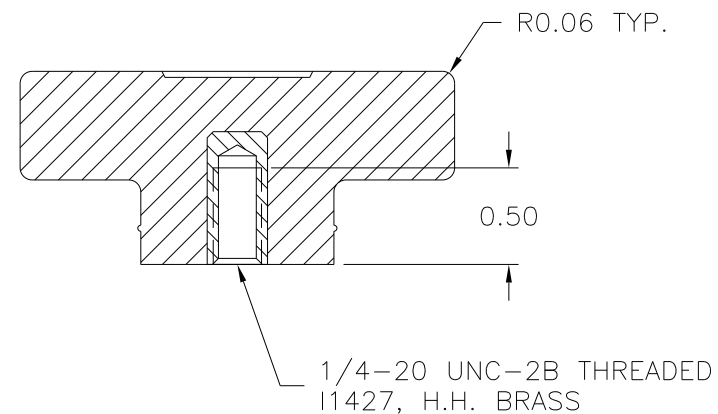
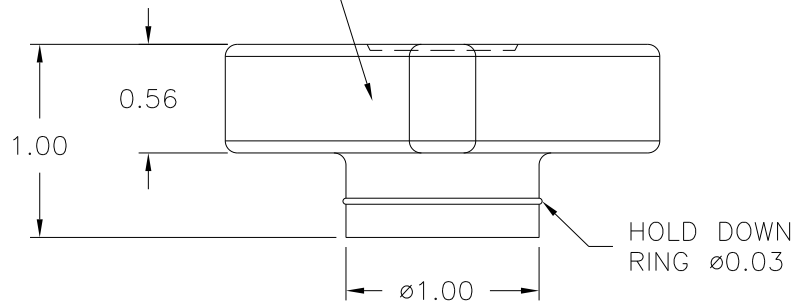
SLEEVE M-2837

PIN 2837

INSERT I1427



TEXTURED OUTSIDE SURFACES (UT-1090)



MATERIAL: 20% TALC-FILLED POLYPROPYLENE (BC9) <sup>Ⓐ</sup>  
COLOR: BLACK

TOLERANCES: UNLESS OTHERWISE SPECIFIED	DO NOT SCALE DRAWING	A	ADDED MAT. CODE	DS	1/29/07
		-	WAS POLYPROPYLENE	JAM	3/24/00
DECIMALS: X.XXX ± .005 X.XX ± .015	MM: X.XX ± 0.15MM X.X ± 0.4MM	-	REDRAWN	TL	11/22/99
FRACTIONS ± 1/64	ANG. ± 1°	CHANGES			